





**Technical parameters & characteristic :**

**1) Working environment:**

1. The environment temperature:-5°C~/40°C
2. The rated voltage : 100V~~250V
3. Rated current : 10A、 13A、 16A、 20A

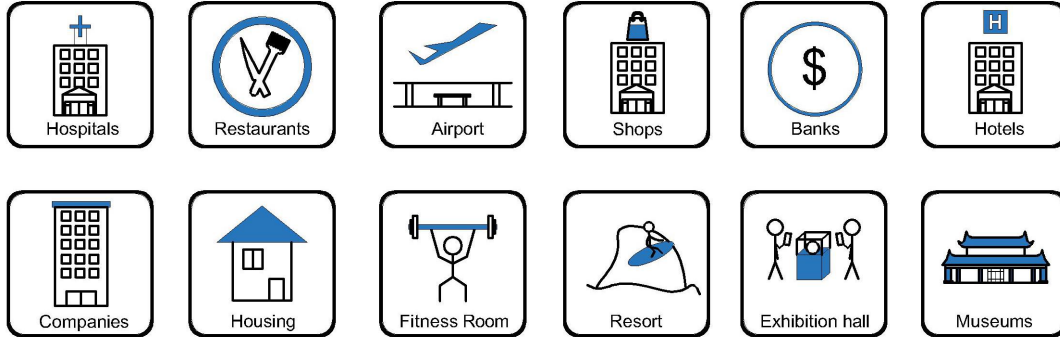
**2) Characteristic:**

<b>1</b>	<b>Model</b>	<b>HTD-16</b>	<b>6</b>	<b>HS Code</b>	8536690000
<b>2</b>	<b>Brand Name</b>	Safewire or OEM brand	<b>7</b>	<b>Market standard</b>	<b>Customized</b>
<b>3</b>	<b>Type</b>	floor socket	<b>8</b>	<b>Place of origin</b>	Zhejiang , Wenzhou, China
<b>4</b>	<b>Color</b>	Golden, silver	<b>9</b>	<b>Frequency</b>	50Hz~60Hz
<b>5</b>	<b>Grounding</b>	Standard grounding	<b>10</b>	<b>Current Type</b>	AC

**3) Technical parameters :**

Serial No.	Parameter	Description
<b>1</b>	<b>Panel Material</b>	Brass alloy/Alu alloy
<b>2</b>	<b>Surface finish</b>	Wire drawing/Polishing/Spray painting
<b>3</b>	<b>Panel Dimension(mm)</b>	120*120
<b>4</b>	<b>Cutout(mm)</b>	105x105
<b>5</b>	<b>Capacity of modules</b>	3 ways modules
<b>6</b>	<b>Bracket material</b>	Zinc Alloy & Alu Alloy
<b>7</b>	<b>Sink box Thickness</b>	1.2mm
<b>8</b>	<b>Sink box Material</b>	Steel+Zinc plated
<b>9</b>	<b>Available modules</b>	45*45/45*22.5(mm)
<b>10</b>	<b>Damping device (DP)</b>	Normal Pop-up & Soft Pop-up available
<b>11</b>	<b>N.W(kg)</b>	1.00 (Brass alloy);0.76(Alu alloy)
<b>12</b>	<b>G.W(kg)</b>	20.8(Brass alloy);15.8(Alu alloy)
<b>13</b>	<b>Carton size(cm)</b>	41.5x27x27

**Application:**



- Office and education
- Industry and Engineering
- Presentation and retail;
- Orientation and safety;
- Transit areas and parking;
- Hotels, hospitality and wellness;
- Health, sport and leisure;
- Art and culture;



**CE certificate by TUV,Germany**



**LVD test report**

TEST REPORT	
Report No.:	50202399 001
Applicant's name:	Feilifu Technology Co., Ltd.
Applicant's address:	No. 18, Chunhui Middle Road, Yongnan Industrial Zone, Xianju County, Taizhou City, Zhejiang Province, China
Sample description:	Empty Enclosure (Box for Electrical Accessories-Floor Box)
Model:	HTD-1, HTD-1L, HTD-101, HTD-101P, HTD-102, HTD-102P, HTD-103B2R, HTD-120K, HTD-120KP, HTD-140FK, HTD-140FKP, HTD-146K, HTD-146KP, HTD-16, HTD-6L, HTD-16B2, HTD-16B2L, HTD-17K, HTD-17KL, HTD-18, HTD-18L, HTD-18K, HTD-18KP, HTD-2, HTD-2P, HTD-218CK, HTD-218CKP, HTD-26, HTD-26L, HTD-26K, HTD-26L, HTD-3, HTD-3P, HTD-40, HTD-40L, HTD-71L, HTD-140YK, HTD-140YKP, FD221, FD866-TL/B/H1, FD777-7/F/H1
Date of receipt of test item:	Refer to cover page
Test location:	Room 62, The 2nd floor No.201, GRG Technological Building, 163 Ping Yun Rd, Taizhou District, Guangzhou, China
Test standard:	EN 60670-23:2008 in conjunction with EN 60670-1:2005
Test date(s):	Refer to cover page
Test result:	The test results are in compliance with the above mentioned standards.
Date of issue:	Refer to cover page
Other aspects:	/
N/A	
Abbreviations:	P = passed; F = fail ed; N/A = not applicable

**Product Show:**



Brass color



Silver color

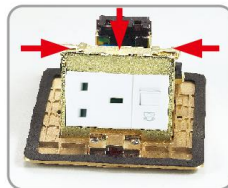
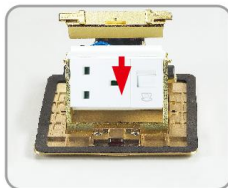


Bottom box

**Features:**

1. Fast-wiring: more terminal block for 1~2.5m<sup>2</sup> rigid wire or 0.5~6m<sup>2</sup> prepared flexible wire.
2. Easy-Installation: Patented technology of clip flush mounting frame of modules replacement. Save labor cost.
3. Reliable push button: >5000 times.

**1.Easy-Installation**



**3.Safety Damping Device**



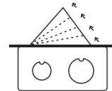
Pop-up Slowly



More Safety



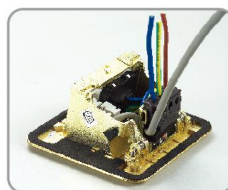
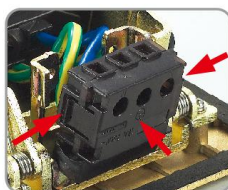
Soft Pop-up  
Code:ZN



10 times

The opening speed of which is 10 times slower than regular products.

**2.Fast-Wiring**



**4.Heavy Material Box**



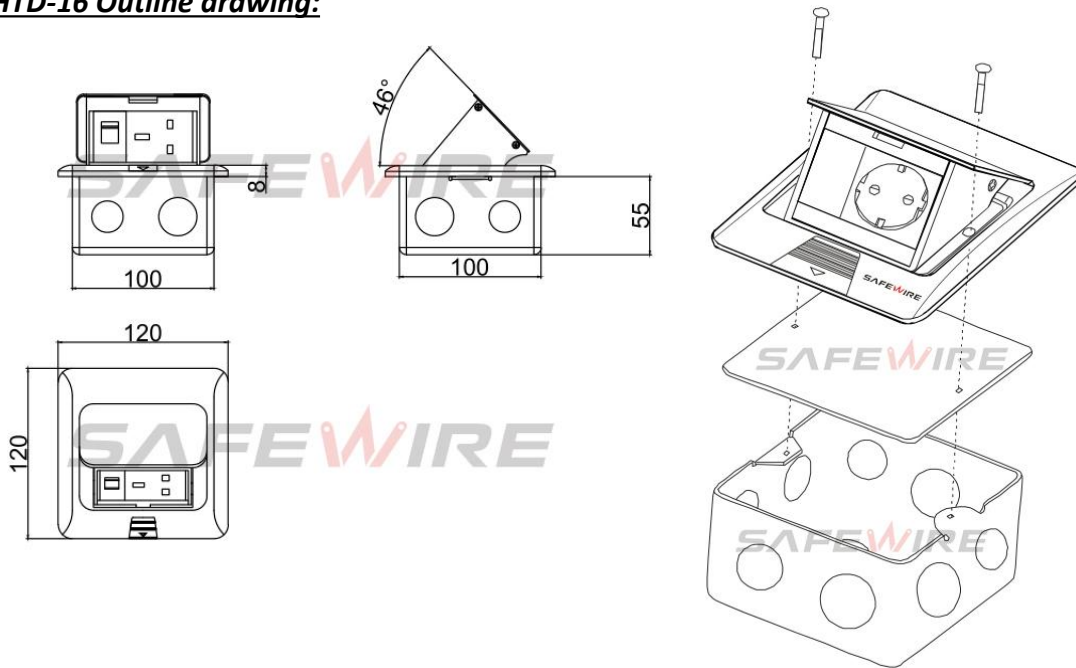
Available for F type 45\*45mm type or D type 22.5\*45mm international sockets or modules types:

**SAFEWIRE**

45 Type Function Accessories

F2	F3	F4	F11	F15	F16	F18		
F20 (Cat.6)	F28	F31	F32	F33	F35	F36	F38	F39
F40	F42	F44 (Speaker)	F48	F71				

**HTD-16 Outline drawing:**

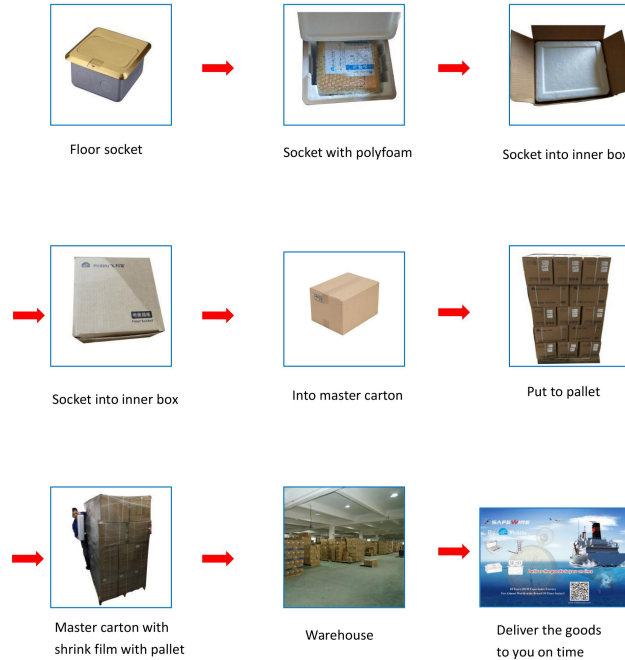


(Image is for reference only.)

**Package:**20 Pcs inner box into a master carton.Poly bag with box packing.

## SafeWire

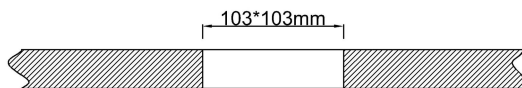
### Package solution



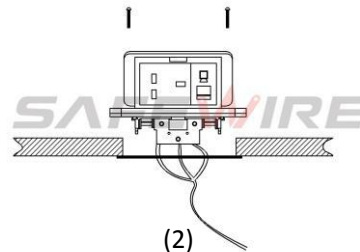
[www.safewirele.com](http://www.safewirele.com)

### **Installation Guide**

1. Cut out size : 103\*103mm.Install the bottom box with panel into the specified location.
2. Screw mounting frame and panel(for desktop only).
3. Fix the panel and bottom box with screws(This item is for ground installation only).
4. ADjust the tightness of all wiring lines (no influence on opening).



(1)



(2)

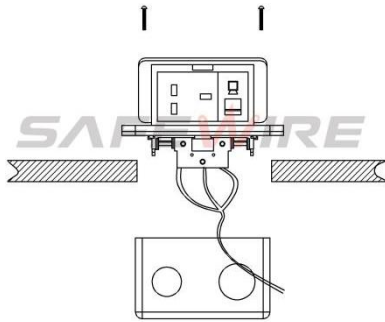


**SAFEWIRE**

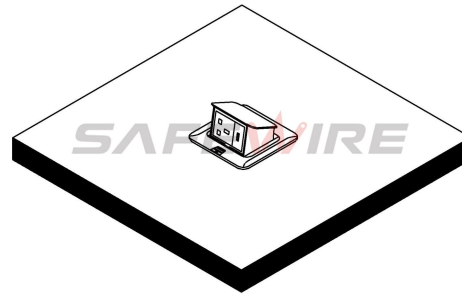
Wenzhou Safewire Electric Co.,Ltd.

No.152 Xingguang Road, Xingguang industry zone, Liushi town, Yueqing, Wenzhou,China ,325604

---



(3)



(4)

**Attentions:**

- 1.Dispose of trash in bottom box and prevent dirt and debris from entering inside.
- 2.Prevent from corrosive liquid, gas (strong acid, strong alkali, paint)and humidity.
- 3.When installing, pay attention to the opening direction,the length of the conductor to the bottom box shall not exceed 10cm,Set aside at least 200mm of cable.
4. All dimension quoted are nominal only. Drawings , images and text are for illustrative perposes only and product details and dimension are subject to change without notice.
- 5.Make sure that the sealing under plate will be jointed tightly with the earth's surface,avoiding seepage

**Safety Warning:**

- 1.This is a class I product and must be earthed
- 2.This product must be installed/wired by a qualified electrician
- 3.For indoor use only.
- 4.For concrete floor.