

Wenzhou Safewire Electric CO.,Ltd.

## SPECIFICATION SHEET

**PRODUCT NAME:** IP68 waterproof socket

**PRODUCT No. :** HTD-146K-I



Address:2nd floor, Wealth Garden, Liushi town, Yueqing, Wenzhou,China ,325604

Tel:0086-577-61725369

Mob:0086-18612380398

ZIP:325604

(E-mail) : [info@safewirele.com](mailto:info@safewirele.com)

(WEB): <http://www.safewirele.com>



**Technical parameters & characteristic :**

**1) Working environment:**

1. The environment temperature:-5°C~/40°C
2. The rated voltage : 100V~~250V
3. Rated current : 10A、 13A、 16A、 20A

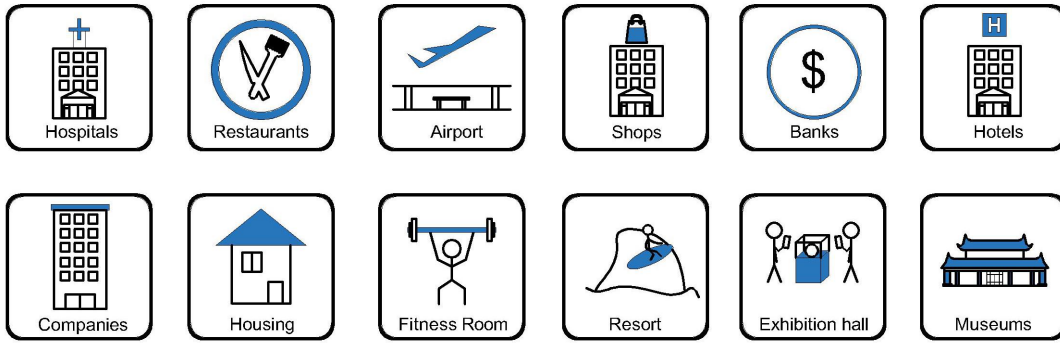
**2) Characteristic:**

<b>1</b>	<b>Model</b>	<b>HTD-146K-I</b>	<b>6</b>	<b>HS Code</b>	8536690000
<b>2</b>	<b>Brand Name</b>	Safewire or OEM brand	<b>7</b>	<b>Market standard</b>	Customized
<b>3</b>	<b>Type</b>	floor socket	<b>8</b>	<b>Place of origin</b>	Zhejiang , Wenzhou, China
<b>4</b>	<b>Color</b>	Golden, silver, etc	<b>9</b>	<b>Frequency</b>	50Hz~60Hz
<b>5</b>	<b>Grounding</b>	Standard grounding	<b>10</b>	<b>Current Type</b>	AC

**3) Technical parameters :**

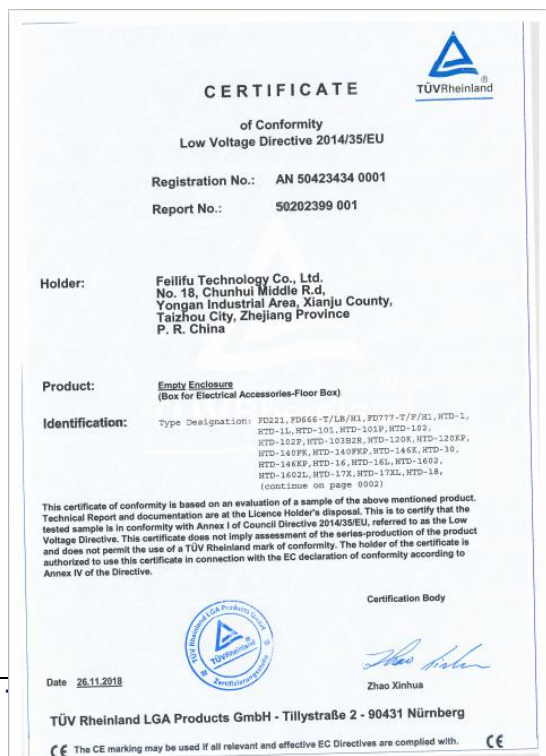
Serial No.	Parameter	Description
<b>1</b>	<b>Panel Material</b>	Brass alloy/Stainless steel
<b>2</b>	<b>Surface finish</b>	Wire drawing/Polishing/Spray painting
<b>3</b>	<b>Panel Dimension(mm)</b>	146*146
<b>4</b>	<b>Cutout(mm)</b>	138x138
<b>5</b>	<b>Capacity of modules</b>	2 way Industrial socket(wall mounted socket)
<b>6</b>	<b>Mounting type</b>	Mounting ST optical fiber or SC optical fiber or Horizontal installation
<b>7</b>	<b>Bracket material</b>	Zinc Alloy & Alu Alloy
<b>8</b>	<b>Sink box Material</b>	Steel+Zinc plated
<b>9</b>	<b>Base box dimension(mm)</b>	135*135*65
<b>10</b>	<b>Available modules</b>	Customized mounting holes suitable with industrial sockets

## Application:

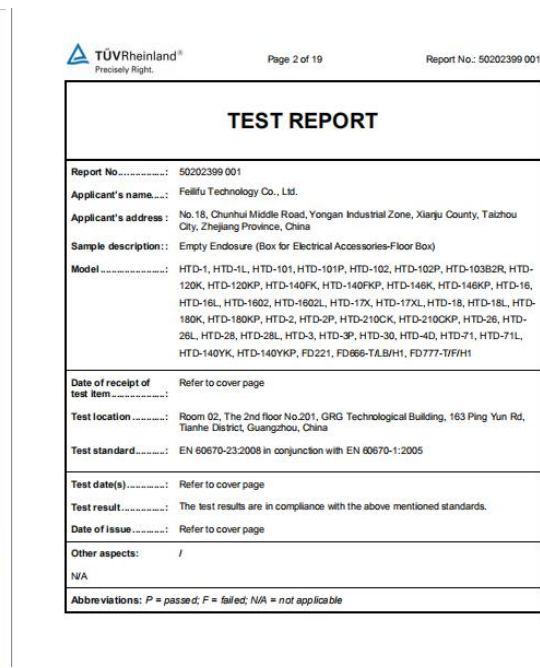


1. This model has bevelled edges to allow the cover to conceal the cut edge of the carpet or floor covering below.
2. The solid stainless/brass steel cover is useful for installation where the flooring material is not suitable for use in a rebated cover .Two cord outlet outlet ports fold into the box to allow cables to exit when in use.
3. Designed to feed workstations or equipment in open plan areas.Cables may be routed to a desk using an optional cable umbilical.
4. For concrete floor/allers floor

### CE certificate by TUV,Germany



### LVD test report



**Product Show:**



**Features:**

1. Application: Recessed stage floor box provides versatile solution to accessing power, audio and visual equipment through floor .
- 2.Lid degree against floor:90/180 degree.
- 3.Hinged lid thickness over 4~4.5m , static pressure over 1000N .
- 4.Cold-rolled Steel box thickness over 1.5~2.0mm with powder coated.
- 5.Customized mounting holes are available to install industrial sockets.

**IP67 Wall mounted socket**



SF1312



SF1412



SF1512

**IP44 Wall mounted socket**



SF1311



SF1411



SF1411

**IP44 Low pressure sockets**



SFS123



SFS123



SFS123

**IP67 couper**



SF3322-9



SF3422



SF3522

**IP67 Panel mounted socket**



SF1332-9



SF1432



SF1532

**IP67 250A/420A Large current sockets**



SF4432



SF2432

**IP67 Panel Angle mounted socket**



SF5332-9



SF5432



SF5532

1.8 IP44 & IP67 Industrial socket

**IP67 Interlock switch socket**



SF1372-4



SF1372

**IP44 couper**



SF1321



SF1421



SF1521

**IP44 Panel mounted socket**



SF1431



SF1331



SF1531

**IP44 Panel Angle mounted socket**



SF1441



SF1341



SF1541

**Package:**8 Pcs inner box into a master carton.Poly bag with box packing.

## SafeWire

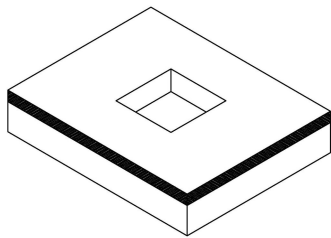
### Package solution



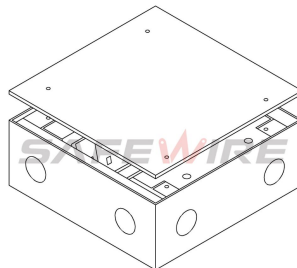
[www.safewirele.com](http://www.safewirele.com)

### **Installation instructions:**

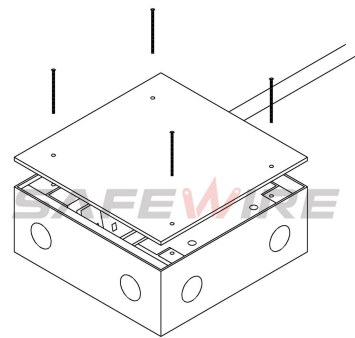
1. Cut out 138\*138(mm), Powering the slurry.
2. Remove the pre-installed temporary lid,wiring and installing modules.
3. Per-installthe cable pipe as per your request .
4. Install cover lid and tighten with screws.
5. Conceal the cut edge of carpet of flooring



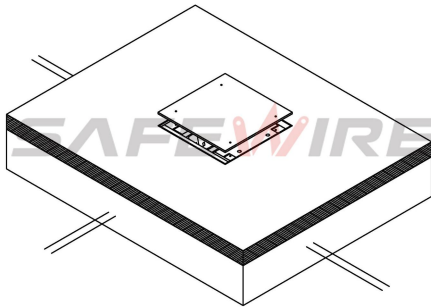
(1)



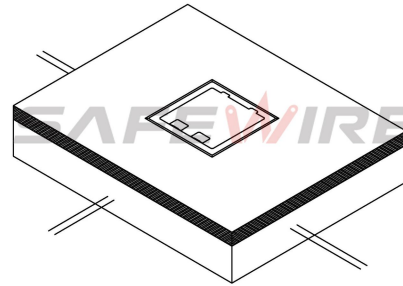
(2)



(3)



(4)



(5)

**Attentions:**

- 1.When installing and wiring,Product should avoid direct contact with corrosive liquid, gas (strong acid, strong alkali, paint).
- 2.This product is suitable for dry surface treatment, avoid water flush and immersion, and ensure its insulation.This product is not suitable for use in wet areas.
- 3.All dimensions quotes are nominal only.Drawing images and specification are only for illustrative purposes and dimensions are subject to final confirmation by us.

**Safety Warning:**

- 1.This is a class I product and must be earthed
- 2.This product must be installed/wired by a qualified electrician
- 3.For indoor use only.