



Wenzhou Safewire Electric Co.,Ltd.

No.152 Xingguang Road, Xingguang industry zone, Liushi town, Yueqing, Wenzhou,China ,325604  
Tel:0086-577-62799688; Email:info@safewirele.com;

[www.safewirele.com](http://www.safewirele.com)

---

Wenzhou Safewire Electric CO.,Ltd.

## SPECIFICATION SHEET

**PRODUCT NAME:**            **Desktop socket**

**PRODUCT No. :**            **FZ-521WF**



ADD: 152 xingguang industrial zone, yueqing city, zhejiang province

(TEL) :0086-577-62799688

(E-mail): info@safewirele.com

(WEB): <http://www.safewirele.com>



Wenzhou Safewire Electric Co.,Ltd.

No.152 Xingguang Road, Xingguang industry zone, Liushi town, Yueqing, Wenzhou,China ,325604  
Tel:0086-577-62799688; Email:info@safewirele.com;

[www.safewirele.com](http://www.safewirele.com)

**Technical parameters & characteristic :**

**1) Working environment:**

1. The environment temperature:-5°C~/40°C
2. The rated voltage: 100V~~250V
3. Rated current: 10A、 13A、 16A、 20A

**2) Technical parameters :**

Serial No.	Parameter	Description
1	Panel Material	Aluminum alloy
2	Surface finish	Electroplated/Painted/Power sprayed
3	Panel Dimension(mm)	340*130
4	Cutout(mm)	328*116
5	Height of product(mm)	75
6	Bottom box size(mm)	325*114
7	Bottom box material	Plastic
8	Capacity of modules /Interface size	9 ways 45*45mm modules
9	Configuration	Wireless charger+Power outlet+Data outlet or USB charging : Customized as required
10	Cable length	1.5m, 2m,2m or required length


**3) Wireless charger parameters :**

Serial No.	Parameter	Description
1	Recognition function	QC2.0/QC3.0/DC source
2	Compatible Standard	WPC-Qi V1 2.4
3	Rating	110K HZ~205HZ, 5VDC,+_5%
4	Output	1A/1.1A 5VDC/9VDC;+_5%
5	Distance of transmitter and receiver	2mm~6mm

**Application:**



**CE certificate by TUV,Germany**



**CERTIFICATE**  
 of Conformity  
 Low Voltage Directive 2014/35/EU


Registration No.: AN 50423468 0001  
 Report No.: 50202406 001

**Holder:** Feilifu Technology Co., Ltd.  
 No. 18, Chunhui Middle R.d,  
 Yongan Industrial Area, Xianju County,  
 Taizhou City, Zhejiang Province  
 P. R. China

**Product:** Empty Enclosure  
 (Box for Electrical Accessories-Desktop)


**Identification:** Type Designation: FZ501-D, FZ501-N, FZ510-D, FZ510-N, FZ525-N,  
 FZ515-DE, FZ515-NZ, FZ517-DE, FZ517-NZ,  
 FZ518-DE, FZ518-NZ, FZ507-D, FZ507-N,  
 FZ528-D, FZ528-N, FZ521-D, FZ521-N, FZ536-S,  
 FZ511A-D, FZ511B-D, FZ532A-D, FZ532B-D  
 Serial No. : Engineering Sample  
 Remark: Refer to test report 50202406 001 for details

This certificate of conformity is based on an evaluation of a sample of the above mentioned product. Technical Report and documentation are at the License Holder's disposal. This is to certify that the tested sample is in conformity with Annex 1 of Council Directive 2014/35/EU, referred to as the Low Voltage Directive. This certificate does not imply assessment of the series-production of the product and does not permit the use of a TÜV Rheinland mark of conformity. The holder of the certificate is authorized to use this certificate in connection with the EC declaration of conformity according to Annex IV of the Directive.



Date 28.11.2018

Certification Body




Zhao Xinhua

TÜV Rheinland LGA Products GmbH - Tillystraße 2 - 90431 Nürnberg

CE The CE marking may be used if all relevant and effective EC Directives are complied with. CE

**LVD test report**



Page 2 of 21

Report No.: 50202406 001

**TEST REPORT**

**Report No.:** 50202406 001

**Applicant's name:** Feilifu Technology Co., Ltd.

**Applicant's address:** No.18, Chunhui Middle Road, Yongan Industrial Zone, Xianju County, Taizhou City, Zhejiang Province, China

**Sample description:** Empty Enclosure (Box for Electrical Accessories-Desktop)

**Model:** FZ501-D, FZ501-N, FZ507-D, FZ507-N, FZ510-D, FZ510-N, FZ515-DE, FZ515-NZ, FZ517-DE, FZ517-NZ, FZ518-DE, FZ518-NZ, FZ528-D, FZ528-N, FZ521-D, FZ521-N, FZ525-N, FZ531A-D, FZ531B-D, FZ532A-D, FZ532B-D, FZ536-S

**Date of receipt of test item:** Refer to cover page

**Test location:** Room 02, The 2nd floor No.201, GRG Technological Building, 163 Ping Yun Rd, Tianhe District, Guangzhou, China

**Test standard:** EN 60670-1:2005+A1:2013

**Test date(s):** Refer to cover page

**Test result:** The test results are in compliance with the above mentioned standards.

**Date of issue:** Refer to cover page

**Other aspects:** /

N/A

**Abbreviations:** P = passed; F = failed; N/A = not applicable



## Wenzhou Safewire Electric Co.,Ltd.

No.152 Xingguang Road, Xingguang industry zone, Liushi town, Yueqing, Wenzhou,China ,325604  
Tel:0086-577-62799688; Email:info@safewirele.com;

[www.safewirele.com](http://www.safewirele.com)

---

### **Product show:**



### **Features:**

- 1) This hidden structure provides the user with a compact, clean and convenient connectivity solution;
- 2) Made from die-casting aluminum alloy and painted ;
- 3) Wireless charging function as per Qi standard;
- 4) With brush to protect cables from scratch;
- 5) Bigger capacity international 45\*45mm modules
- 6) More plug top clearance 45/90 degree angle when plug into receptacle

### **Wireless charger module Features**

- 7) Short circuit protection;
- 8) Overcurrent protection;
- 9) Over temperature protection;



Wenzhou Safewire Electric Co.,Ltd.

No.152 Xingguang Road, Xingguang industry zone, Liushi town, Yueqing, Wenzhou,China ,325604  
Tel:0086-577-62799688; Email:info@safewirele.com;

[www.safewirele.com](http://www.safewirele.com)

- 10) Parasitic metal object Dect.
- 11) Disnormal object Dect.

Available sockets or modules types:

**SAFEWIRE**

45 Type Function Accessories

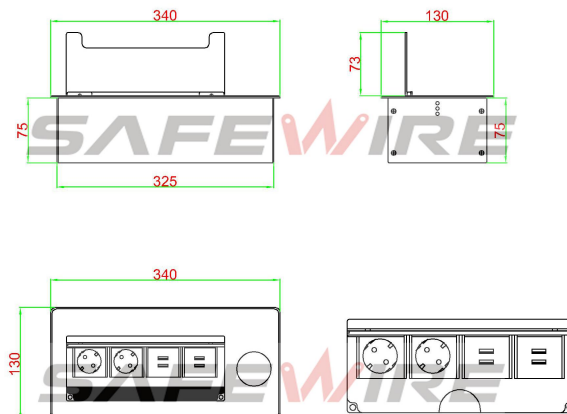
2 pin socket	3 pin 10A socket	3 pin multi function	BS socket	EU socket	French socket	USA socket		
F2	F3	F4	F11	F15	F16	F18		
RJ45Cat.6 data/TEL socket	TV socket	BNC socket	e3.5 earphone socket	DIN(eight pins)	Audio socket	Video socket	Stereo socket	USB
F20/F21/F22/F23/F25/F28	F50	F51	F52	F53	F55	F56	F58	F59
Cannon socket	Speaker socket	15 pins VGA (pin hole type) / 15 pins VGA (pin / hole type)	HD TV socket	S-teriminal				
F60	F62	F65/F66/F67/F68	F68	F71				

**FZ-521 Outline drawing:**

**SAFEWIRE**

FZ-521 outline

Units:mm



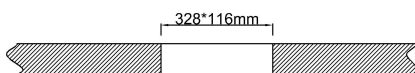
**Package:**2Pcs inner box into a master carton.Poly bag with box packing.

## SafeWire

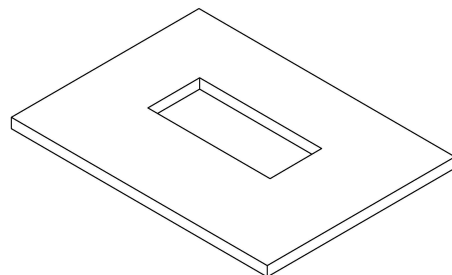
### Package solution



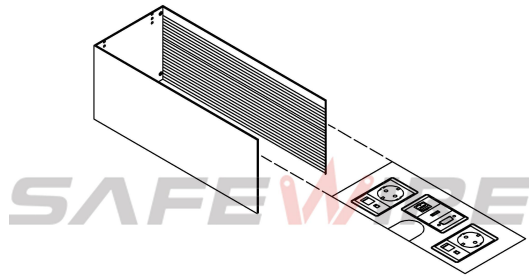
### Installation Guide :



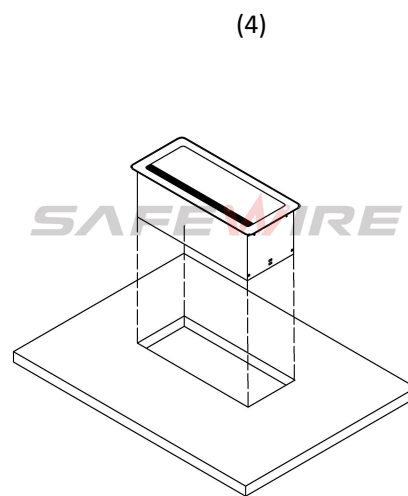
(1)



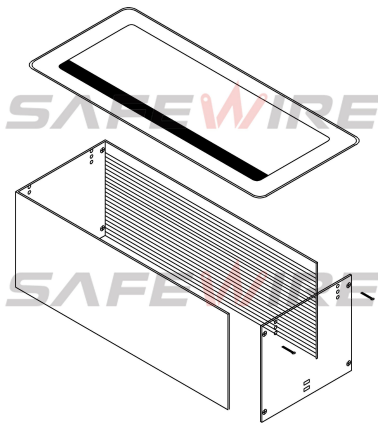
(2)



(3)



(4)



(5)

1. Before installation, please opening pore on the table-board which is asked to install according to related product specification.(unit:mm)
- 2.Load the function key panel into a base box.
- 3.Secure the panel and bottom box
- 4.Secure the surrounding bottom box with eight screws
- 5.Place the product in a pre-opened table top

**Attentions:**

- 1.Use only in normal temperature.Do not expose to conditions that harm to the product's safety,such as humidity,dusty and corrosives.
- 2.Properly connecting and installing according to the rated voltage ,frequency,rated current and function identification of the product
3. All dimension quoted are nominal only. Drawings , images and text are for illustrative perposes only and product details and dimension are subject to change without notice.



## Wenzhou Safewire Electric Co.,Ltd.

No.152 Xingguang Road, Xingguang industry zone, Liushi town, Yueqing, Wenzhou,China ,325604  
Tel:0086-577-62799688; Email:info@safewirele.com;

[www.safewirele.com](http://www.safewirele.com)

---

### **Safety Warning:**

- 1)This is a class I product and must be earthed.
- 2)This product must be installed/wired by a qualified electrician.
- 3)before installation/maintenance ,ensure the mains supply is switched off and the circuit fuses are removed or circuit breakers switch off.
- 4)For indoor use only.