

Wenzhou Safewire Electric CO.,Ltd.

SPECIFICATION SHEET

PRODUCT NAME: **Grommet with USB**

PRODUCT No. : **FZ-502**



Tel:0086-577-61725369; Mob:0086-18612380398

ZIP:325604

(E-mail): info@safewirele.com

(WEB): <http://www.safewirele.com>



Technical parameters & characteristic :

1) Working environment:

1. The environment temperature:-5°C~/40°C
2. The rated voltage: 100V~~250V
3. Rated current: 10A、 13A、 16A、 20A

2) Characteristic:

1	Model	FZ-502	6	HS Code	8536690000
2	Brand Name	Safewire or OEM brand	7	Market standard	Customized
3	Type	Desktop socket	8	Place of origin	Zhejiang , Wenzhou, China
4	Color	Silver/black/white	9	Frequency	50Hz~60Hz
5	Grounding	Standard grounding	10	Current Type	AC

3) Technical parameters :

Serial No.	Parameter	Description
1	Panel Material	Fire-retarant PC plastic
2	Bottom box Material	Fire-retarant PC plastic
3	Panel Dimension(mm)	Ø120
4	Cutout(mm)	Ø108
5	Base box dimension	Ø120*45
6	Capacity of modules /Interface size	4 ways (45*45mm)modules
7	Configuration	1 Power socket+1* USB charger+1 *RJ45 Network
8	Available modules	45mm modules

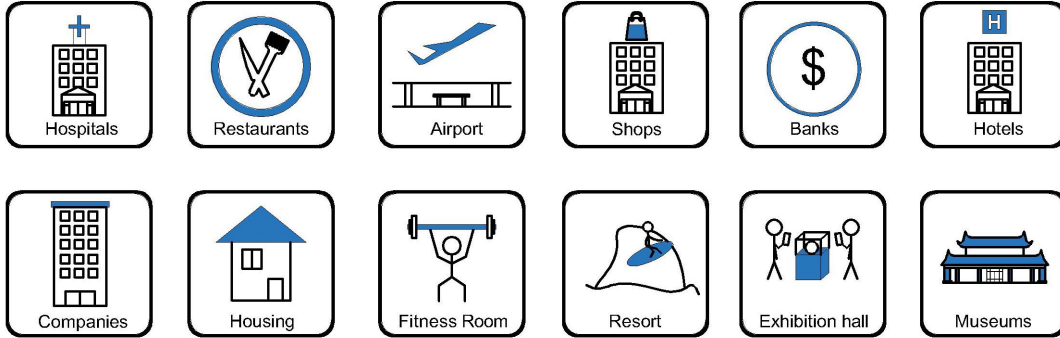


SAFEWIRE

Wenzhou Safewire Electric Co.,Ltd.

2nd floor, Wealth Garden, Liushi town, Yueqing, Wenzhou,China ,325604

Application:



Product Show:



Features:

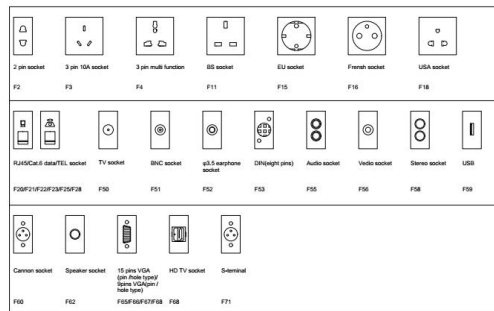
Safewire Grommets are applicable for official furniture of cable management system, power supply and RJ45 CAT Network and USB charger as well.

- 1). Removable cable openings, different cable/fiber patch cord can easy fit through gromets.
- 2).applicable for $\phi 60 / \phi 80 / \phi 100$ hole of desktop.
- 3). Easy to cut-out: Round shape to die cut hole, save labor cost.
- 4).Complete white/grey flame retardant ABS construction.
- 5).All materials is from as per RoHS directive .

available for 45*45mm type international sockets or modules types:

SAFEWIRE

45 Type Function Accessories



Package:18 Pcs inner box into a master carton.Poly bag with box packing.

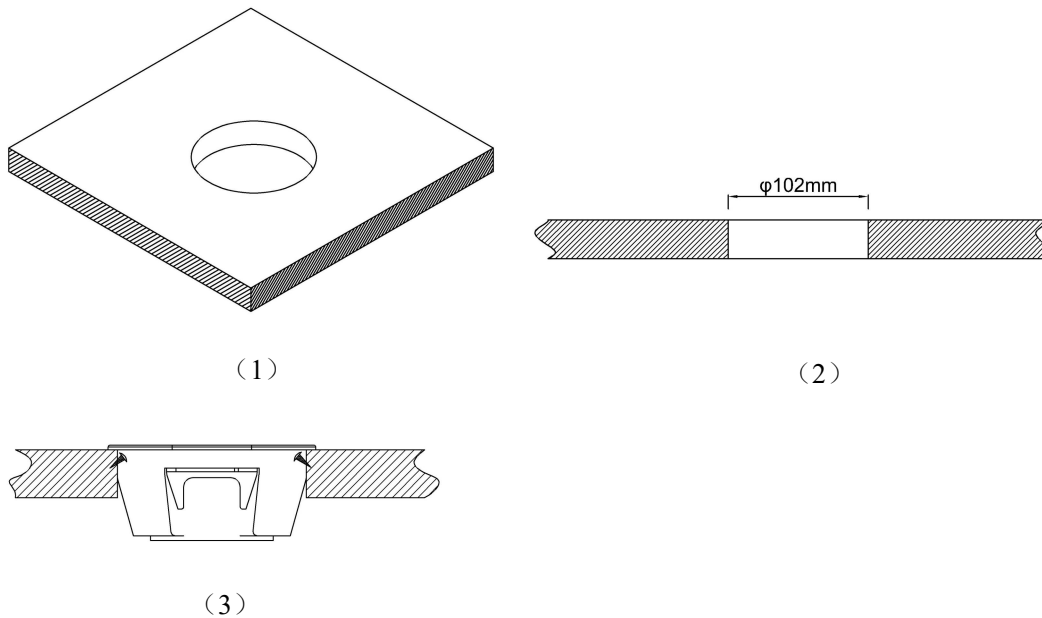
SafeWire

Package solution



Installation Process

1. Cut out as specification sheet.
2. put the bottom box into cut-out hole,punch the self-tapping screw and fix the bottom box.
3. Remove plastic frame fixing socket modules.Assemble the socket or data Jack into the plastic frame and press frame ensure them combine tightly.
4. Keep socket modules connected by inner wire (it should be copper core 1.5mm²9~20 wire and length should be suitable).Then earthing and ensure inner wire tightly with modules.For fast connector terminal block,Just insert wire into block.



Attentions:

- 1.Prevent from corrosive liquid, gas (strong acid, strong alkali, paint)and humidity.
2. All dimension quoted are nominal only. Drawings , images and text are for illustrative purposes only and product details and dimension are subject to change without notice.

Safety Warning:

- 1)This is a class I product and must be earthed
- 2)This product must be installed/wired by a qualified electrician
- 3)before installation/maintenance ,ensure the mains supply is switched off and the circuit fuses are removed or circuit breakers switch off
- 4)For indoor use only

RoHS Certificate of Compliance: Conforms with the Directive 2002/95/EC (ROHS)