

SPECIFICATION SHEET

PRODUCT NAME: BS Standard waterproof socket

PRODUCT No. : 913SPF



913SPF

Address: 2nd floor, Wealth Garden, Liushi town, Yueqing, Wenzhou, China, 325604

Tel: 0086-577-61725369

Mob: 0086-18612380398

ZIP: 325604

(E-mail): info@safewirele.com

(WEB): <http://www.safewirele.com>

Specification

1	Name	IP 66 waterproof box
2	Mode	913SPF
3	Material	ABS
4	Current AMP	10A
5	IP rate	IP66
6	Voltage	220-250V
7	Specification	86*86mm
8	Temperature	-20 ~ 90℃
9	Application	Outdoor Electronic Equipment
10	Dimensions (HWD)	150x165x80mm

Product show



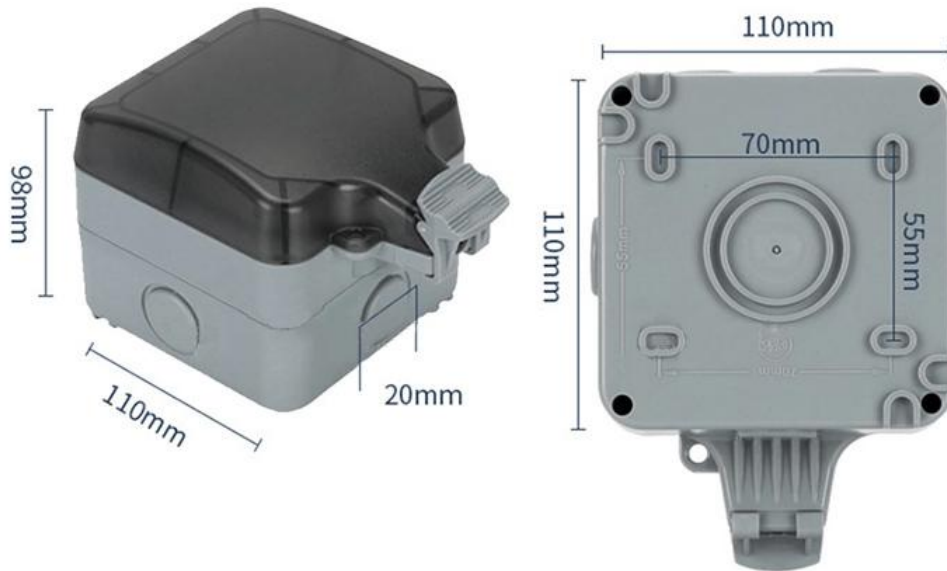
Feature

1. Select the high-quality raw material and promise not to use recycled material .
2. Antiflaming ,Flame retardant material does not catch fire.
- 3.Resistant to corrosion ,resistance to a variety of chemical corrosion.
4. Shock resistance ,heavy impact resistance.
- 5.Oversize ,Anti - electric shock, anti - splash, isolation bin, waterproof grade IP66.
- 6.Seal ring: 1)High quality rubber material; 2)Good waterproof effect IP66

7. Brown visual waterproof diaphragm design: 1) Waterproof and dustproof IP66. 2) you can operate switch directly through diaphragm without opening lid.

8. Switch buckle design. 1) Humanized switch buckle design; 2) Plug can be directly connected from the switch bayonet, and the lid is sealed.

Product size



Application



Waterproof switch can be used in parks, car washes, kitchens, bathrooms, outdoor construction sites and other places where there is no long-term too damp. When used, it can be equipped with belt connector module series accessories and basic series accessories; The fastening screw installed in front of the frame can install enough cable wiring space on the base to make the installation powder compact and reliable, easy to maintain and ensure the protection class of IP66.