

Wenzhou Safewire Electric CO.,Ltd.

SPECIFICATION SHEET

PRODUCT NAME: **Pull Outlet Box**

PRODUCT No. : **HTD-250-CK**



Address:2nd floor, Wealth Garden, Liushi town, Yueqing, Wenzhou,China ,325604

Tel:0086-577-61725369

Mob:0086-18612380398

ZIP:325604

(E-mail) : info@safewirele.com

(WEB): <http://www.safewirele.com>



Technical parameters & characteristic :

1) Working environment:

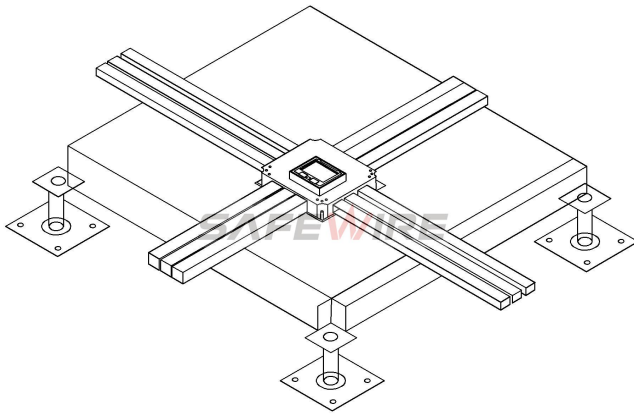
1. The environment temperature:-5°C~/40°C
2. The rated voltage : 100V~~250V
3. Rated current : 10A、 13A、 16A、 20A

2) Technical parameters :

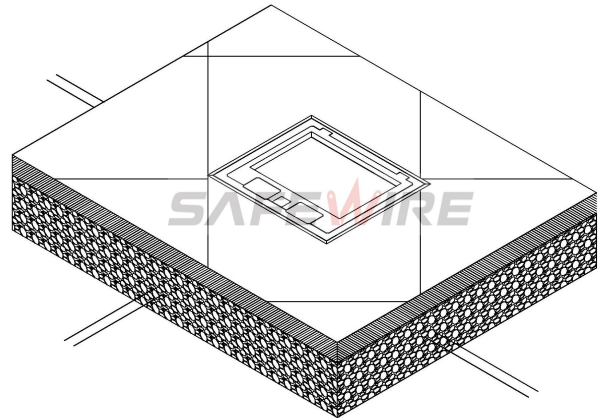
Serial No.	Parameter	Description
1	Panel Material	Stainless steel
2	Surface finish	Wire drawing/Polishing/Spray painting
3	Panel Dimension(mm)	250*250
4	Cutout(mm)	245x245
5	Static pressure	1000N
6	Horizontal mounting	Horizontal installation
7	Sink box Material	Steel+Zinc plated
8	Thickness of concavity/Frame lid recess (mm)	20MM
9	Base box dimension(mm)	250*250*125

Application:

1) Raised floor



2) Raised floor



The raised floor to socket requirements:

- 1.Environmental protection.
- 2.Fire prevention/Corrosion resistant/high strength.
- 3.Good interchangeability with raised floors.Easy to installation.
- 4.The laying height of the floor is 35mm ~150mm

Concrete floor requirements for floor socket:

- 1、 No pollution to the environment, no harm to the human body, no toxicity.
- 2、 Easy to install and easy to use, not easy to damage

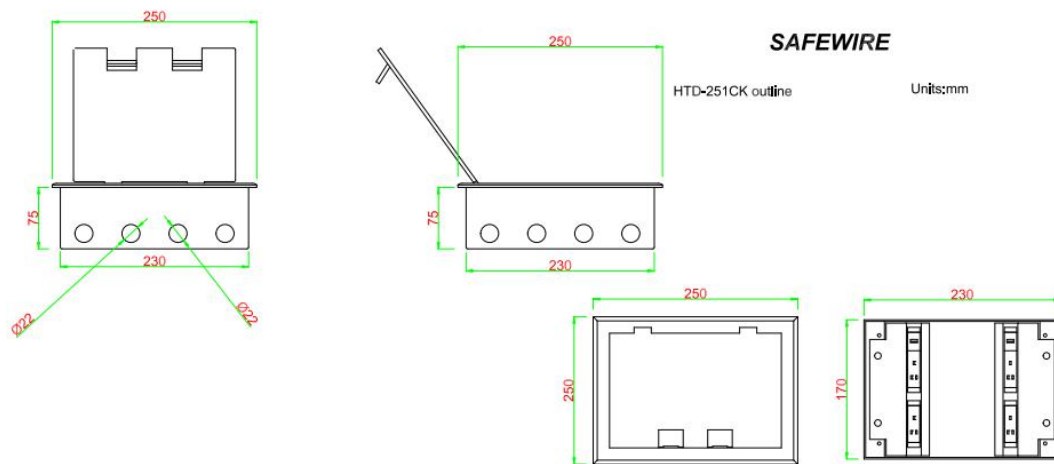
Product Show:



Features:

- 1.20mm ground can be placed on the floor box surface.
2. Fire -prevent sockets can be installed on the side..
- 3.Stainless steel material, beautiful surface, not easy to rust.
- 4.The space is large enough that the lines are not crowded.

Outline Drawing:



Prepared by	Andy Chen
Approved by	Happy He
Date	2018.12.21

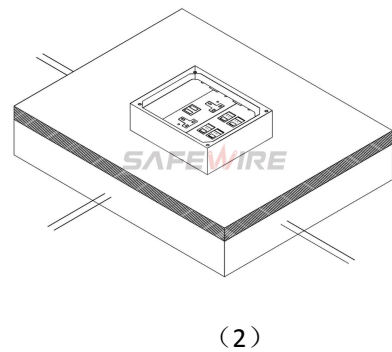
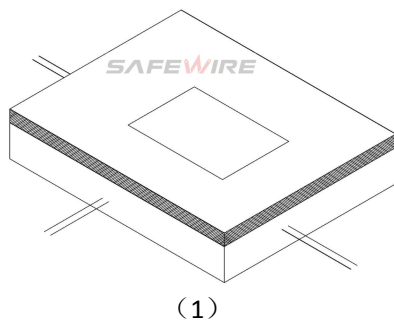
Tel:0086-577-62799688 Http://www.safewirele.com E-mail:info@safewirele.com

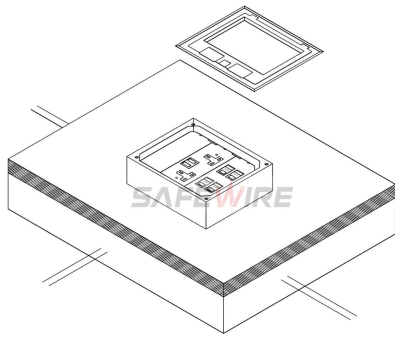
Package:4 pcs inner box into a master carton.Poly bag with box packing.



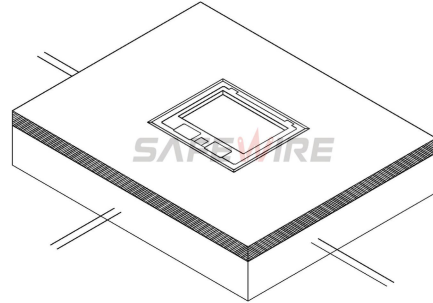
Installation instructions:

1. Cut out 232*202(mm), Powering the slurry.
2. Remove the pre-installed temporary lid,wiring and installing modules,Pre-installed cable pipe as per your request .
3. Install cover lid and tighten with screws.
4. Conceal the cut edge of carpet of flooring





(3)



(4)

Attentions:

- 1.When installing and wiring,Product should avoid direct contact with corrosive liquid, gas (strong acid, strong alkali, paint).
- 2.This product is suitable for dry surface treatment, avoid water flush and immersion, and ensure its insulation.This product is not suitable for use in wet areas.
- 3.All dimensions quotes are nominal only.Drawing images and specification are only for illustrative purposes and dimensions are subject to final confirmation by us.

Safety Warning:

- 1.This is a class I product and must be earthed
- 2.This product must be installed/wired by a qualified electrician
- 3.For indoor use only.