



Wenzhou Safewire Electric Co.,Ltd.

No.152 Xingguang Road, Xingguang industry zone, Liushi town, Yueqing, Wenzhou,China ,325604

---

Wenzhou Safewire Electric CO.,Ltd.

## SPECIFICATION SHEET

**PRODUCT NAME:      Pull Outlet Box**

**PRODUCT No. :      HTD-146K-86**



ADD: 152 xinguang industrial zone, yueqing city, zhejiang province

(TEL) :0086-577-62799688

(E-mail) : info@safewirele.com

(WEB): <http://www.safewirele.com>



**Technical parameters & characteristic :**

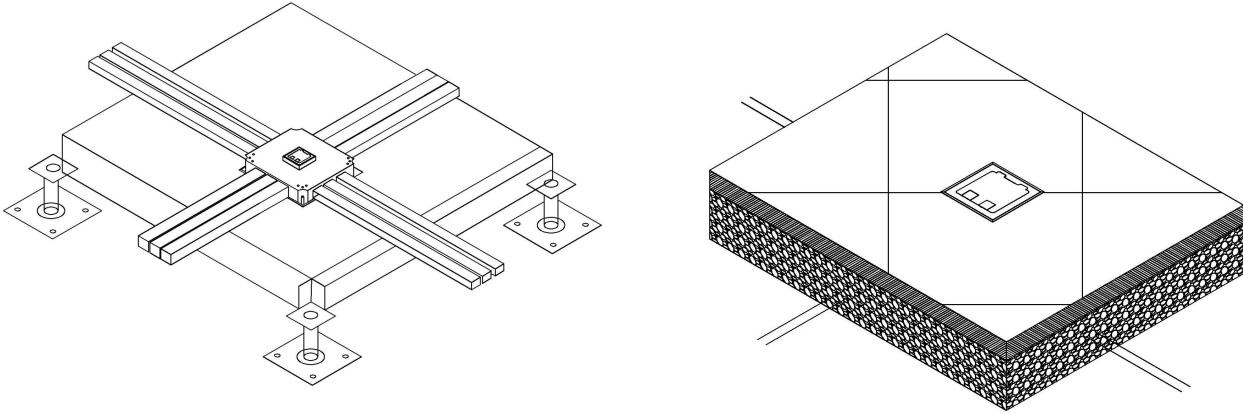
**1) Working environment:**

1. The environment temperature:-5°C~/40°C
2. The rated voltage : 100V~~250V
3. The rated current : 10A、 13A、 16A、 20A

**2) Technical parameters :**

Serial No.	Parameter	Description
1	Panel Material	Brass alloy/Stainless steel
2	Surface finish	Wire drawing/Polishing/Spray painting
3	Panel Dimension(mm)	146*146
4	Cutout(mm)	132x132
5	Static pressure	1000N
6	Horizontal mounting	Horizontal installation
7	Sink box Material	Steel+Zinc plated
8	Hinged lid thickness	4MM
9	Base box dimension(mm)	130*130*85
10	Available modules	86*86panel(mm)

## **Application:**



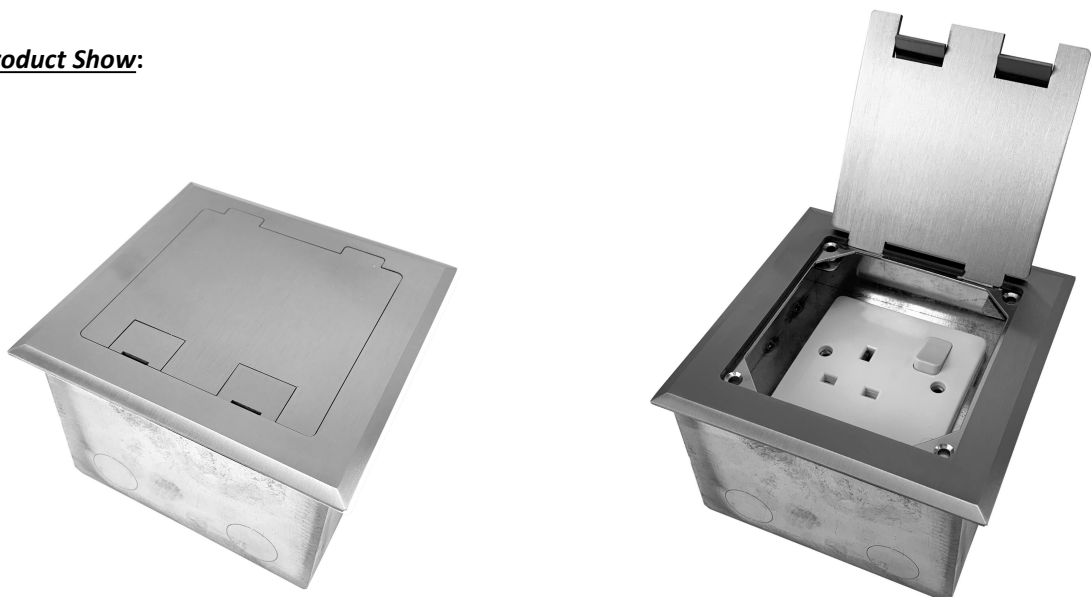
The raised floor to socket requirements:

1. Environmental protection.
2. Fire prevention/Corrosion resistant/high strength.
3. Good interchangeability with raised floors. Easy to installation.
4. The laying height of the floor is 35mm ~150mm

**Concrete floor requirements for floor socket:**

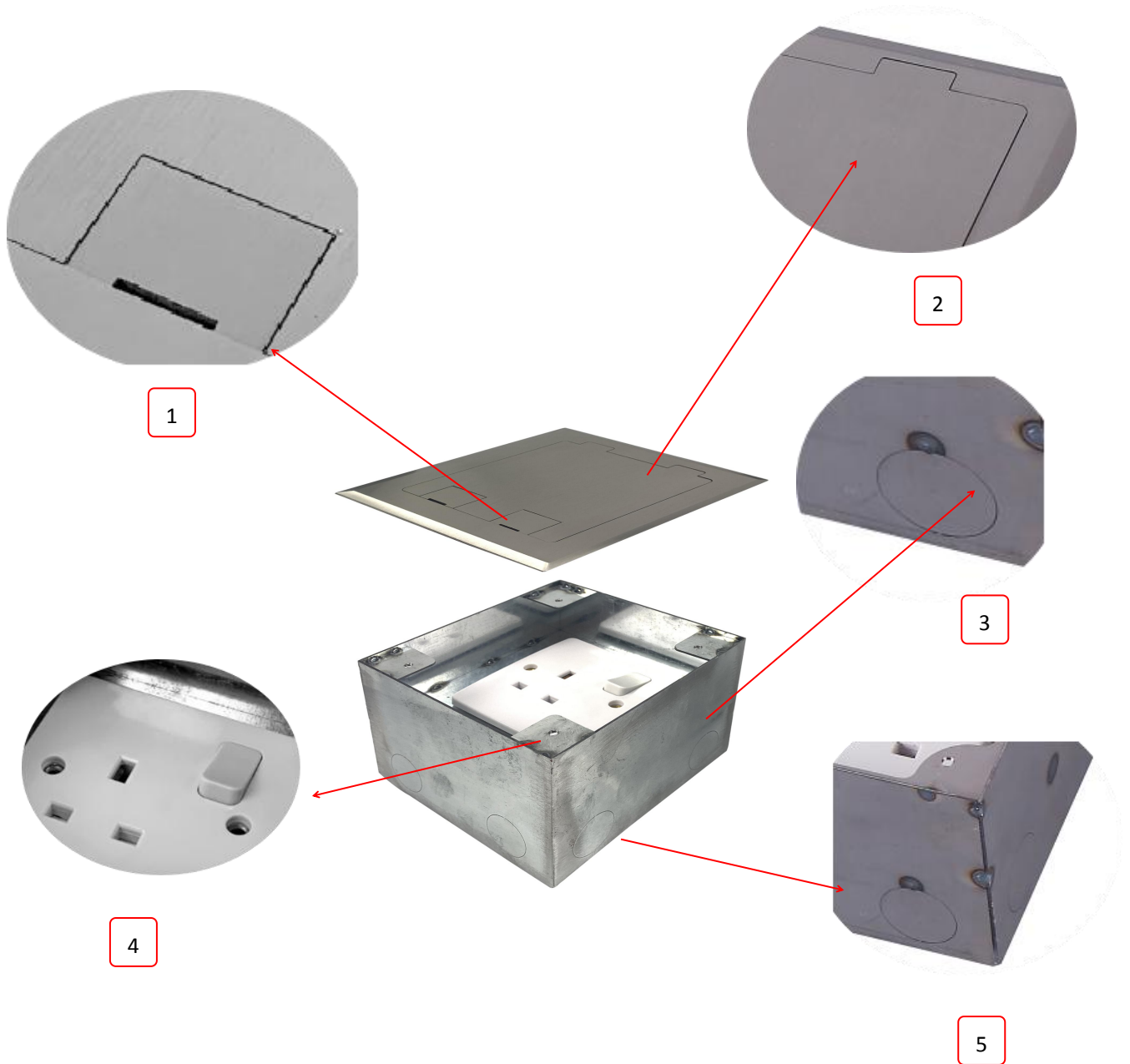
- 1、 No pollution to the environment, no harm to the human body, no toxicity.
- 2、 Easy to install and easy to use, not easy to damage

## **Product Show:**



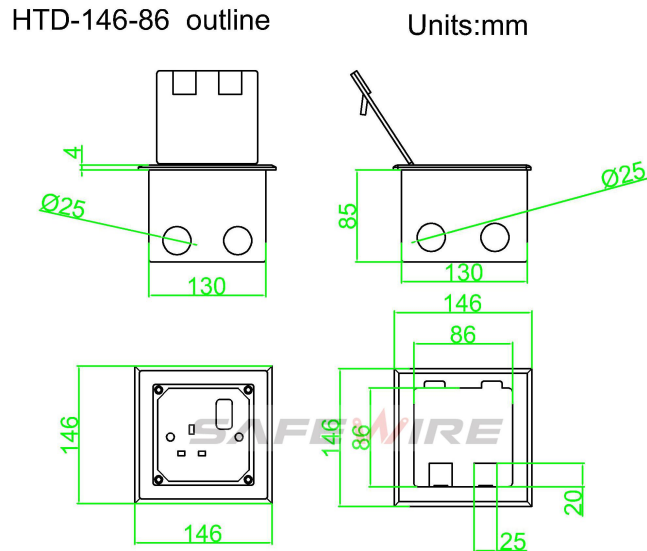


**Features:**



- 1.Cable Exit is customization
- 2.Cavity depth is customization
- 3.Knock-out diameter is customization
- 4.Configuration as twins switch socket as 86\*86
- 5.Depth of bottom box is customization

**HTD-146K-86 Outline drawing:**



**Package:**10 Pcs inner box into a master carton.Poly bag with box packing.

**SafeWire**

HTD-146K-86 Package solution



[www.safewirele.com](http://www.safewirele.com)



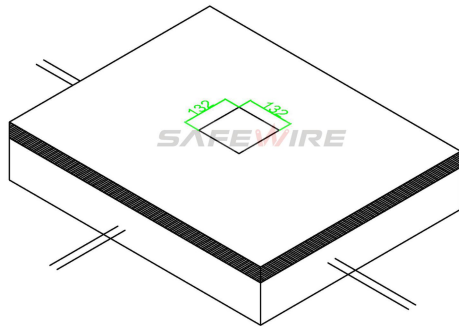
**SAFEWIRE**

Wenzhou Safewire Electric Co.,Ltd.

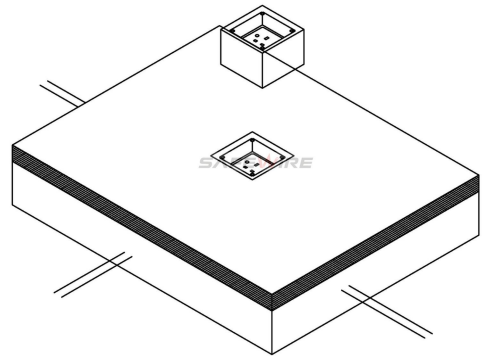
No.152 Xingguang Road, Xingguang industry zone, Liushi town, Yueqing, Wenzhou,China ,325604

**Installation instructions:**

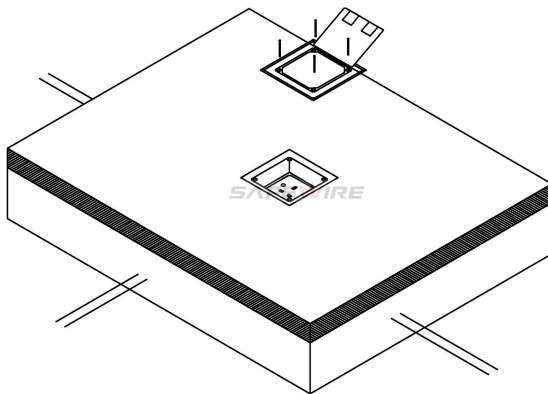
1. Cut out 132\*132(mm), Powering the slurry.
2. Remove the pre-installed temporary lid,wiring and installing modules,Per-installed cable pipe as per your request .
3. Install cover lid and tighten with screws.
4. Conceal the cut edge of carpet of flooring



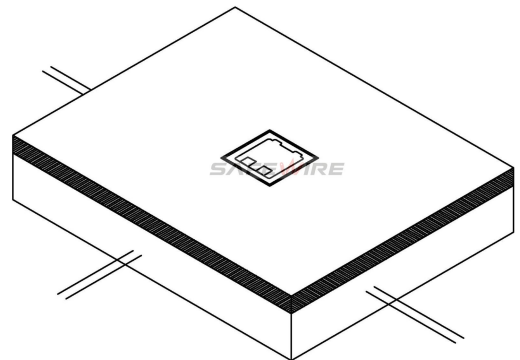
(1)



(2)



(3)



(4)



**SAFEWIRE**

Wenzhou Safewire Electric Co.,Ltd.

No.152 Xingguang Road, Xingguang industry zone, Liushi town, Yueqing, Wenzhou,China ,325604

---

**Attentions:**

- 1.When installing and wiring,Product should avoid direct contact with corrosive liquid, gas (strong acid, strong alkali, paint).
- 2.This product is suitable for dry surface treatment, avoid water flush and immersion, and ensure its insulation.This product is not suitable for use in wet areas.
- 3.All dimensions quotes are nominal only.Drawing images and specification are only for illustrative purposes and dimensions are subject to final confirmation by us.

**Safety Warning:**

- 1.This is a class I product and must be earthed
- 2.This product must be installed/wired by a qualified electrician
- 3.For indoor use only.