

Wenzhou Safewire Electric CO.,Ltd.

# SPECIFICATION SHEET

**PRODUCT NAME:            Pull Outlet Box**

**PRODUCT No. :            HTD-250P-CK**



Address:2nd floor, Wealth Garden, Liushi town, Yueqing, Wenzhou,China ,325604

Tel:0086-577-61725369

Mob:0086-18612380398

ZIP:325604

(E-mail) : info@safewirele.com

(WEB): <http://www.safewirele.com>



**Technical parameters & characteristic :**

**1) Working environment:**

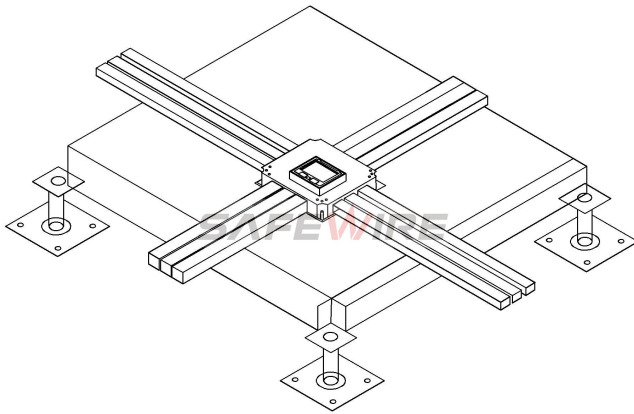
1. The environment temperature:-5°C~/40°C
2. The rated voltage : 100V~~250V
3. Rated current : 10A、 13A、 16A、 20A

**2) Technical parameters :**

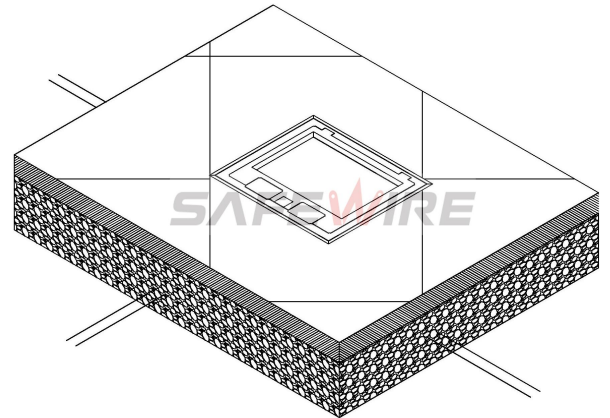
| Serial No. | Parameter                                   | Description                           |
|------------|---|---------------------------------------|
| 1          | Panel Material                              | Stainless steel                       |
| 2          | Surface finish                              | Wire drawing/Polishing/Spray painting |
| 3          | Panel Dimension(mm)                         | 250*250                               |
| 4          | Cutout(mm)                                  | 245x245                               |
| 5          | Static pressure                             | 1000N                                 |
| 6          | Horizontal mounting                         | Horizontal installation               |
| 7          | Sink box Material                           | Steel+Zinc plated                     |
| 8          | Thicknes of concavity/Frame lid recess (mm) | 20MM                                  |
| 9          | Base box dimension(mm)                      | 250*250*125                           |

## **Application:**

### 1) Raised floor



### 2) Raised floor



The raised floor to socket requirements:

- 1.Environmental protection.
- 2.Fire prevention/Corrosion resistant/high strength.
- 3.Good interchangeability with raised floors.Easy to installation.
- 4.The laying height of the floor is 35mm ~150mm

Concrete floor requirements for floor socket:

- 1、 No pollution to the environment, no harm to the human body, no toxicity.
- 2、 Easy to install and easy to use, not easy to damage

Product Show:



Features:

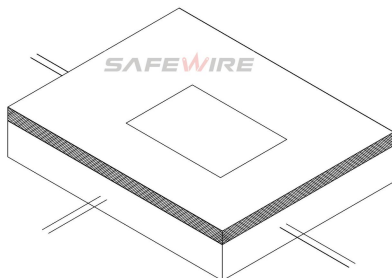
1. 20mm ground can be placed on the floor box surface.
2. five sockets can be installed on the side..
3. Stainless steel material, beautiful surface, not easy to rust.
4. The space is large enough that the lines are not crowded.

**Package:**4 Pcs inner box into a master carton.Poly bag with box packing.

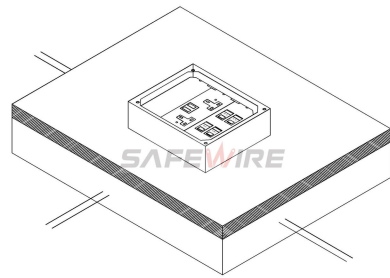


**Installation instructions:**

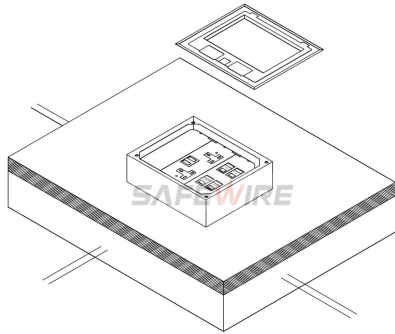
1. Cut out 232\*202(mm), Powering the slurry.
2. Remove the pre-installed temporary lid,wiring and installing modules,Per-installthe cable pipe as per your request .
3. Install cover lid and tighten with screws.
4. Conceal the cut edge of carpet of flooring



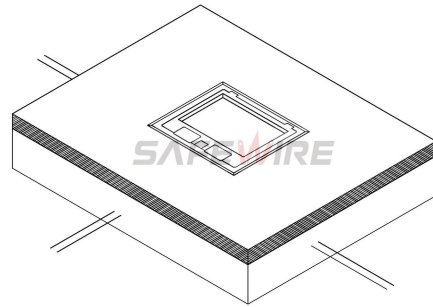
(1)



(2)



(3)



(4)

**Attentions:**

- 1.When installing and wiring,Product should avoid direct contact with corrosive liquid, gas (strong acid, strong alkali, paint).
- 2.This product is suitable for dry surface treatment, avoid water flush and immersion, and ensure its insulation.This product is not suitable for use in wet areas.
- 3.All dimensions quotes are nominal only.Drawing images and specification are only for illustrative purposes and dimensions are subject to final confirmation by us.

**Safety Warning:**

- 1.This is a class I product and must be earthed
- 2.This product must be installed/wired by a qualified electrician
- 3.For indoor use only.