

Wenzhou Safewire Electric CO.,Ltd.

SPECIFICATION SHEET

PRODUCT NAME: Pull Outlet Box

PRODUCT No. : HTD-210K-86



ADD: 152 xinguang industrial zone, yueqing city, zhejiang province

(TEL) :0086-577-62799688

(E-mail) : info@safewirele.com

(WEB): <http://www.safewirele.com>



Technical parameters & characteristic :

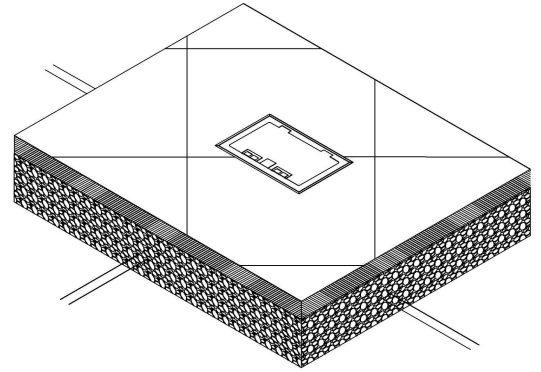
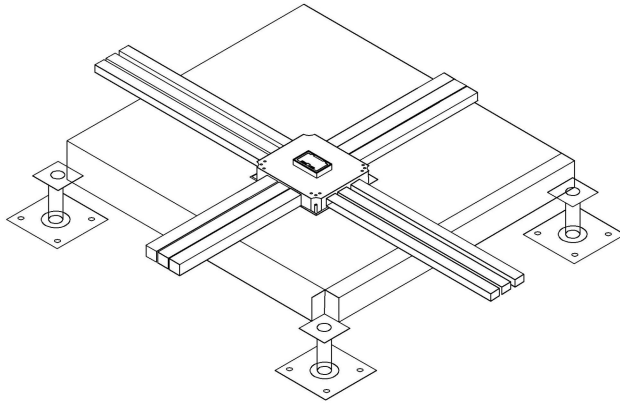
1) Working environment:

1. The environment temperature:-5°C~/40°C
2. The rated voltage : 100V~~250V
3. Rated current : 10A、 13A、 16A、 20A

2) Technical parameters :

Serial No.	Parameter	Description
1	Panel Material	Brass alloy/Stainless steel
2	Surface finish	Wire drawing/Polishing/Spray painting
3	Panel Dimension(mm)	210*140
4	Cutout(mm)	202x132
5	Static pressure	1000N
6	Horizontal mounting	Horizontal installation
7	Sink box Material	Steel+Zinc plated
8	Hinged lid thickness	4MM
9	Base box dimension(mm)	200*130*85
10	Available modules	146*86panel(mm)

Application:



The raised floor to socket requirements:

1. Environmental protection.
2. Fire prevention/Corrosion resistant/high strength.
3. Good interchangeability with raised floors. Easy to installation.
4. The laying height of the floor is 35mm ~150mm

Concrete floor requirements for floor socket:

- 1、 No pollution to the environment, no harm to the human body, no toxicity.
- 2、 Easy to install and easy to use, not easy to damage

Product Show:





SAFEWIRE

Wenzhou Safewire Electric Co.,Ltd.

No.152 Xingguang Road, Xingguang industry zone, Liushi town, Yueqing, Wenzhou,China ,325604

Features:



- 1.Cable Exit is customization
- 2.Cavity depth is customization
- 3.Knock-out diameter is customization
- 4.Configuration as twins switch socket as 146*86
- 5.Depth of bottom box is customization

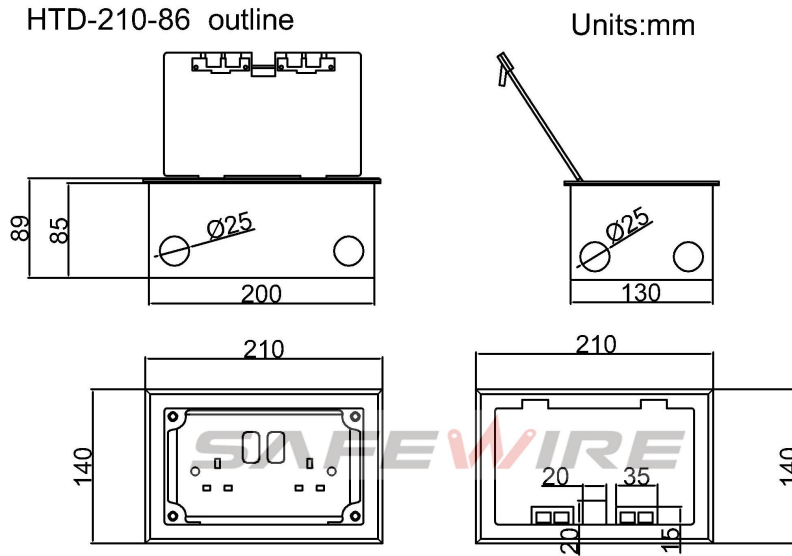


SAFEWIRE

Wenzhou Safewire Electric Co.,Ltd.

No.152 Xingguang Road, Xingguang industry zone, Liushi town, Yueqing, Wenzhou,China ,325604

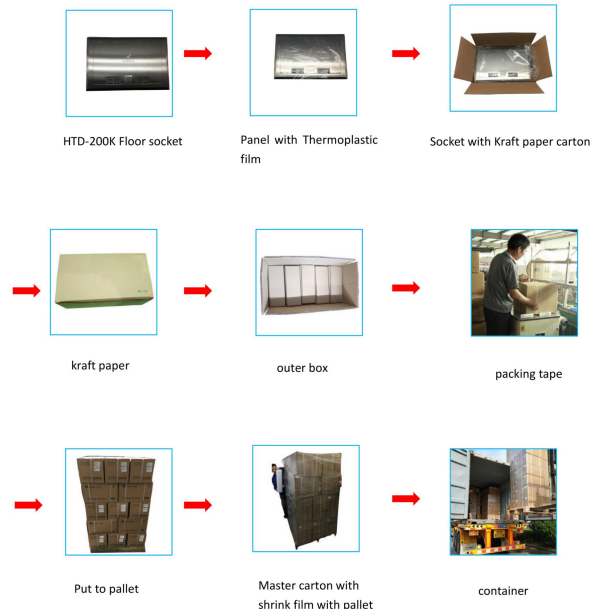
HTD-210K Outline drawing:



Package:10 Pcs inner box into a master carton.Poly bag with box packing.

SafeWire

HTD-320K Package solution

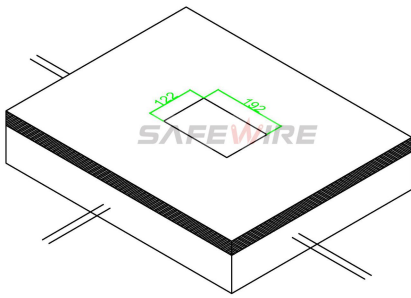


www.safewirele.com

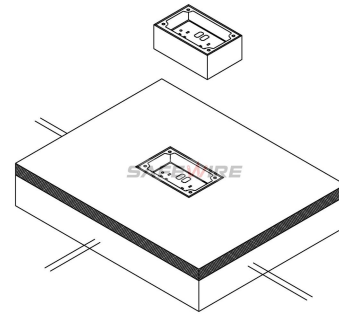


Installation instructions:

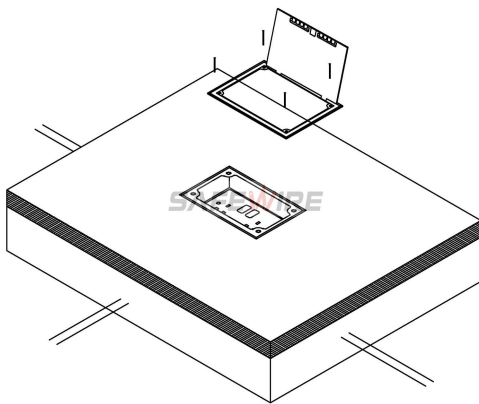
1. Cut out 202*132(mm), Powering the slurry.
2. Remove the pre-installed temporary lid,wiring and installing modules,Per-installthe cable pipe as per your request .
3. Install cover lid and tighten with screws.
4. Conceal the cut edge of carpet of flooring



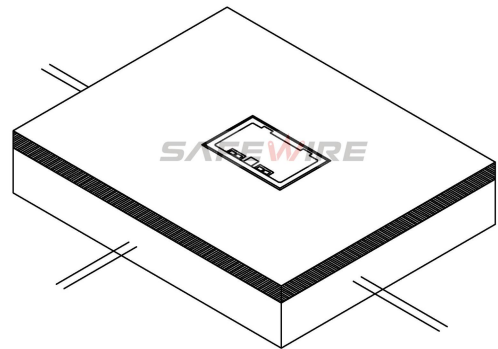
(1)



(2)



(3)



(4)



SAFEWIRE

Wenzhou Safewire Electric Co.,Ltd.

No.152 Xingguang Road, Xingguang industry zone, Liushi town, Yueqing, Wenzhou,China ,325604

Attentions:

- 1.When installing and wiring,Product should avoid direct contact with corrosive liquid, gas (strong acid, strong alkali, paint).
- 2.This product is suitable for dry surface treatment, avoid water flush and immersion, and ensure its insulation.This product is not suitable for use in wet areas.
- 3.All dimensions quotes are nominal only.Drawing images and specification are only for illustrative purposes and dimensions are subject to final confirmation by us.

Safety Warning:

- 1.This is a class I product and must be earthed
- 2.This product must be installed/wired by a qualified electrician
- 3.For indoor use only.