



Wenzhou Safewire Electric Co.,Ltd.
2nd floor, Wealth Garden, Liushi town, Yueqing, Wenzhou,China ,325604

Wenzhou Safewire Electric CO.,Ltd.

SPECIFICATION SHEET

PRODUCT NAME: flush mounting Outlet Box

PRODUCT No. : HTD-130-CK



Address:2nd floor, Wealth Garden, Liushi town, Yueqing, Wenzhou,China ,325604

Tel:0086-577-61725369

Mob:0086-18612380398

ZIP:325604

(E-mail) : info@safewirele.com

(WEB): <http://www.safewirele.com>



Technical parameters & characteristic :

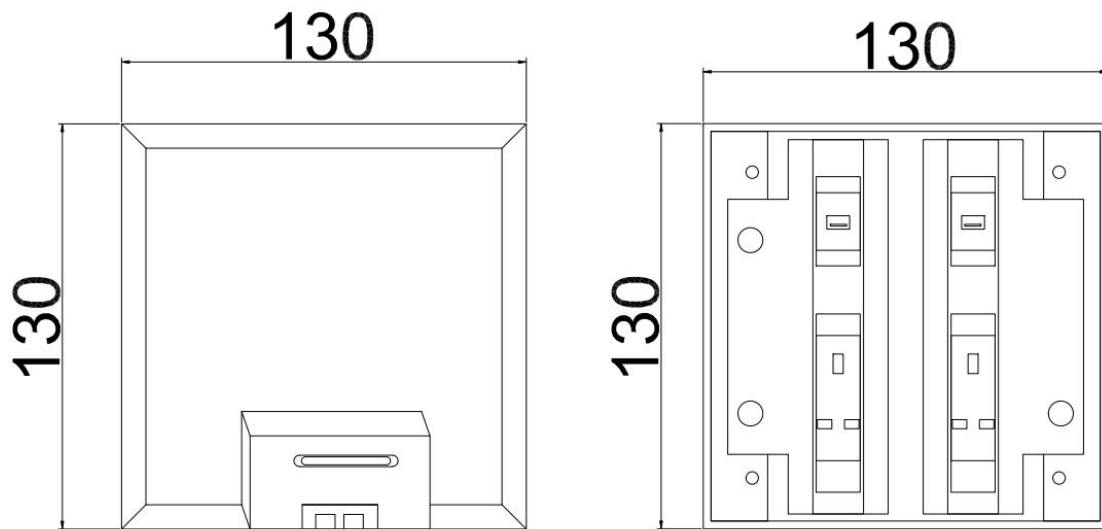
1) Working environment:

1. The environment temperature:-5°C~/40°C
2. The rated voltage : 100V~~250V
3. The rated current : 10A、 13A、 16A、 20A

2) Technical parameters :

Serial No.	Parameter	Description
1	Panel Material	Stainless steel
2	Surface finish	Wire drawing/Polishing/Spray painting
3	Panel Dimension(mm)	130*130
4	Cutout(mm)	130*130
5	Static pressure	1000N
6	Horizontal mounting	side mounting gangs
7	Sink box Material	Steel+Zinc plated
8	Thickness of concavity/Frame lid recess (mm)	20MM
9	Base box dimension(mm)	130*130*125
10	capacity	3*45type socket or 1*86 type socket

Outline Drawing:



The raised floor to socket requirements:

- 1.Environmental protection.
- 2.Fire prevention/Corrosion resistant/high strength.
- 3.Good interchangeability with raised floors.Easy to installation.
- 4.The laying height of the floor is 35mm ~150mm

Concrete floor requirements for floor socket:

- 1、 No pollution to the environment, no harm to the human body, no toxicity.
- 2、 Easy to install and easy to use, not easy to damage

Product Show:



Features:

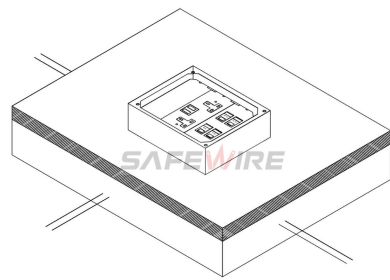
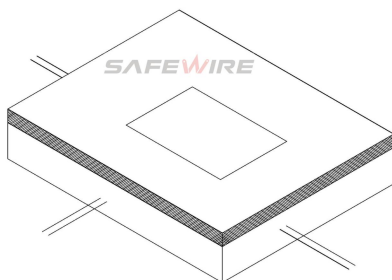
- 1.20mm ground can be placed on the floor box surface.
- 2.4 ways sockets can be installed on the side.
- 3.Stainless steel material, beautiful surface, not easy to rust.
- 4.The space is large enough that the lines are not crowded.
- 5.The product supports customization, including panel size and the capacity of socket.

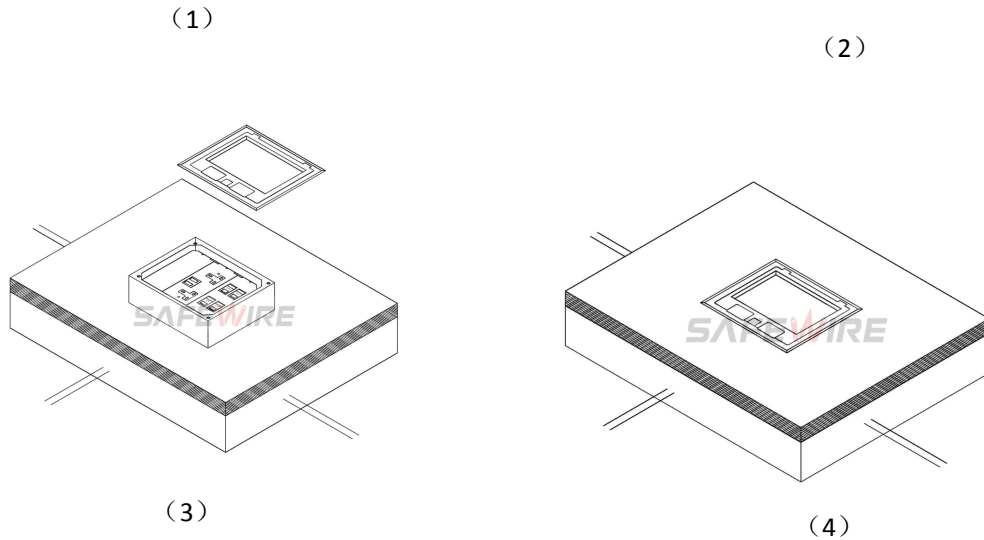
Package:4 pcs inner box into a master carton.Poly bag with box packing.



Installation instructions:

1. Cut out 130*130(mm), Powering the slurry.
2. Remove the pre-installed temporary lid,wiring and installing modules,Per-installed cable pipe as per your request .
3. Install cover lid and tighten with screws.
4. Conceal the cut edge of carpet of flooring





Attentions:

- 1.When installing and wiring,Product should avoid direct contact with corrosive liquid, gas (strong acid, strong alkali, paint).
- 2.This product is suitable for dry surface treatment, avoid water flush and immersion, and ensure its insulation.This product is not suitable for use in wet areas.
- 3.All dimensions quotes are nominal only.Drawing images and specification are only for illustrative purposes and dimensions are subject to final confirmation by us.

Safety Warning:

- 1.This is a class I product and must be earthed
- 2.This product must be installed/wired by a qualified electrician
- 3.For indoor use only.