



Wenzhou Safewire Electric Co.,Ltd.

No.152 Xingguang Road, Xingguang industry zone, Liushi town, Yueqing, Wenzhou,China ,325604
Tel:0086-577-62799688; Email:info@safewirele.com;

www.safewirele.com

Wenzhou Safewire Electric CO.,Ltd.

SPECIFICATION SHEET

PRODUCT NAME: USB charger

PRODUCT No. : XJY-USB-17J QC3.0



ADD: 152 xingguang industrial zone, yueqing city, zhejiang province

(TEL) :0086-577-62799688

(E-mail) : info@safewirele.com

(WEB): <http://www.safewirele.com>



Wenzhou Safewire Electric Co.,Ltd.

No.152 Xingguang Road, Xingguang industry zone, Liushi town, Yueqing, Wenzhou,China ,325604
Tel:0086-577-62799688; Email:info@safewirele.com;

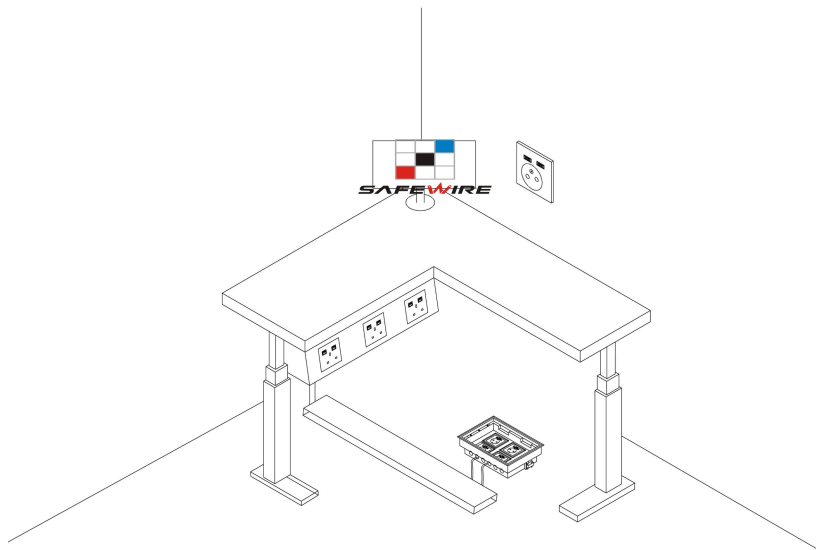
www.safewirele.com

Technical parameters:

Serial No.	Parameter	Description
1	Panel Material	PC
2	AC input Frequency	100-240V/AC 50-60HZ
3	AC input	100-240V
4	Output USB DC current	3A/5V ;2A/9V; 1.5A/12V
5	Color	White
6	Panel Dimension(mm)	45*45

Application:

This Wall Charger Adapter with Dual USB Outlet allows you to charge / power 1 USB devices in one socket. It can meet charge needs of various devices such as iPad and tablet PC3.0A Max.



- embedded into the wall
- into desktop socket
- into floor box



Wenzhou Safewire Electric Co.,Ltd.

No.152 Xingguang Road, Xingguang industry zone, Liushi town, Yueqing, Wenzhou,China ,325604
Tel:0086-577-62799688; Email:info@safewirele.com;

www.safewirele.com

Feature :

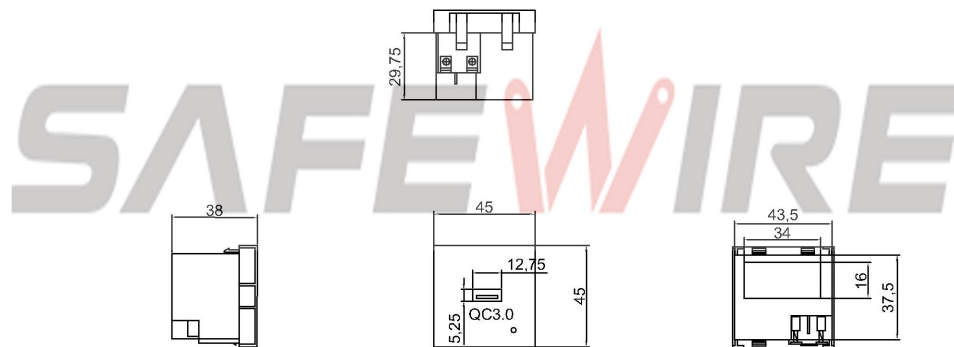
- (1)Voltage withstanding: above 3KV;
- (2)Lightning protection level: 3K
- (3)With identifying chip: can automatically recognize different mobiles and suit its request charging AMP to meet the charging speed;
- (4)Energy saving: Reach European power consuming Level 6;
- (5)With overload Lcurrent and over voltage protection.
- (6)output ripple VPP <200mV. (connected phone response is fast while the phone while charging)
- (7).Automatically cut off after fully charged and not continue to charge the phone.
- (8). More life reliability: over 5 years.

Testing Item	Testing Standard	Testing Data
Aging test	USB charger for 2 hours with LED lights must always light	2 hours
	High and low pressure 90V-264V to normal operation	90V-264V normal
Power test	Rated output voltage range: no-load: 5V \pm 5%, load:5V \pm 5%	No-load: 4.92-4.95V, load: 5.04-5.1
	Rated output current	3A/5V ;2A/9V; 1.5A/12V
	Output ripple: load 1A/2.1A, Vpp<200mV	117mV-146mV
	Short circuit protection: output positive and negative short for 2 minutes, after the break to work properly	2 minutes
	Pin output voltage: D-: 2.75VDC/D+:2VDC, subject to actual test value	D-:2.77V/D+:2.763V
Pressure test	Under normal climatic conditions, the input and output terminals should withstand the corresponding voltage(USB-10, 101 series for the 1500V, the other is more than 3000V), Generally every test a minute without breakdown flashing phenomenon was qualified, and leakage \leq 5mA.	3000V 0.68mA-0.69mA
Insulation resistance test	In the normal temperature environment, AC input plug and DC input plug between the input DC500V, 1 minute after the insulation resistance of 7 trillion or more	∞
Grounding resistance	In any case the resistance shall not exceed 100m Ω	
Temperature rise test	At room temperature 30 $^{\circ}$ Crated work, the charger rated for 2 h after the measurement of its shell surface temperature change <1 $^{\circ}$ C/ h that the temperature is stable, this time measuring the surface temperature of its shell <50 $^{\circ}$ C	Pass
Limit load	Test the product load current limit can run the load value	pass

XJY-USB-17J -QC3.0 Outline drawing:

XJY-USB-17J-QC3.0 outline

Units:mm



4.Safety Warning:

1. For indoor use only.
- 3.This product must be installed/wired by a qualified electrician.

5.Attentions:

- 1.Protect children from touch skirt of USB port.
- 2.Ensure current and voltage as rating current/voltage .Do not overload
3. Prevent from corrosive liquid, gas (strong acid, strong alkali, paint)and humidity.