



Wenzhou Safewire Electric Co.,Ltd.

No.152 Xingguang Road, Xingguang industry zone, Liushi town, Yueqing, Wenzhou,China ,325604  
Tel:0086-577-62799688; Email:info@safewirele.com;

[www.safewirele.com](http://www.safewirele.com)

---

Wenzhou Safewire Electric CO.,Ltd.

## SPECIFICATION SHEET

**PRODUCT NAME:**      Wall switch

**PRODUCT No. :**      XJY-USB-19B



ADD: 152 xingguang industrial zone, yueqing city, zhejiang province

(TEL) :0086-577-62799688

(E-mail) : info@safewirele.com

(WEB): <http://www.safewirele.com>



Wenzhou Safewire Electric Co.,Ltd.

No.152 Xingguang Road, Xingguang industry zone, Liushi town, Yueqing, Wenzhou,China ,325604  
Tel:0086-577-62799688; Email:info@safewirele.com;

[www.safewirele.com](http://www.safewirele.com)

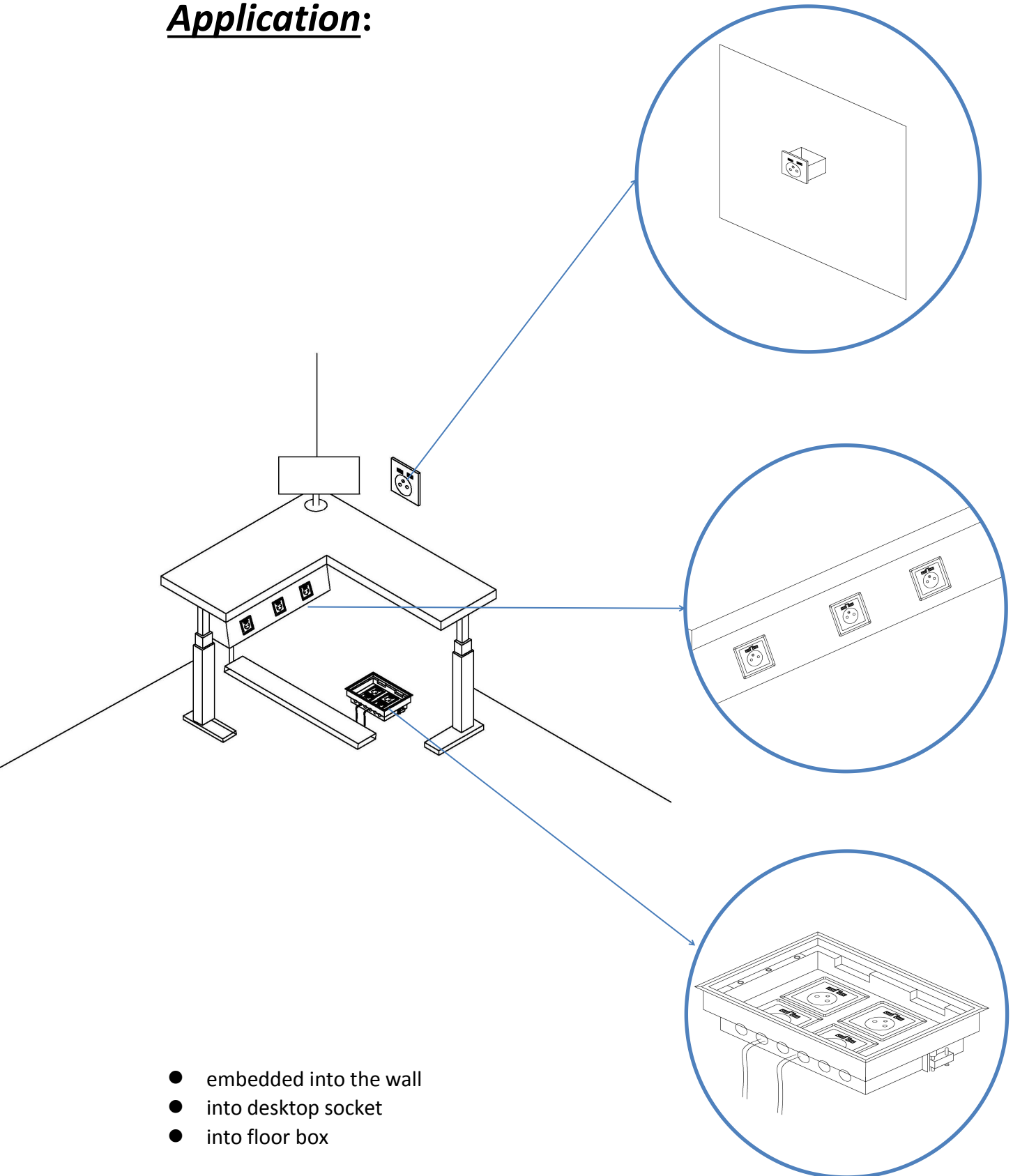
## **USB Characteristic:**

Serial No.	Parameter	Description
1	Panel Material	PC 94-V0
2	Inside material	Tin phosphorous bronze
3	Surface finish	Glossy
4	USB DC output	2.1A/5V
5	Output voltage tolerance	±3%
6	Output power	Max.10.5W
7	Service life in hours	3000h 10.5W
8	Efficiency	78%
9	No-load power consumption	Max 0.2W
10	Input voltage	100~240v/AC 50~60Hz
11	Color	White RAL9003 Black
12	Number of terminals	2 screw terminals
13	Electrical insulation class	Class II
14	IK degree of protection	IK04
15	IP degree of protection	IP21
16	Dimension of product	86*86mm

## **Environmental requirements**

Serial No.	Parameter	Description
1	Operating temperature	-10℃~+40℃;Operating
2	humidity	20%~90% RH
3	Storage temperature	-20℃~+85℃;storage
4	humidity	10%~95% RH
5	Resistance to pressure	≥3Kv/AC 1min
6	Isolation resistance	500v DC/100MΩ

## **Application:**




- embedded into the wall
- into desktop socket
- into floor box



# Wenzhou Safewire Electric Co.,Ltd.

No.152 Xingguang Road, Xingguang industry zone, Liushi town, Yueqing, Wenzhou,China ,325604  
Tel:0086-577-62799688; Email:info@safewirele.com;

[www.safewirele.com](http://www.safewirele.com)



**CERTIFICATE**  
of Conformity  
EC Council Directive 2014/30/EU  
Electromagnetic Compatibility

Registration No.: AE 50361583 0001

Report No.: 15087115 002

**Holder:** Zhejiang New-epoch Communication Industry Co., Ltd.  
Develop Road, Wengyang Industry Zone, Yueqing, Zhejiang 325606  
P.R. China

**Product:** Socket Outlet  
(Fixed Socket-outlet with USB port)

**Identification:** XJY-USB-18 XJY-USB-18B XJY-USB-20 XJY-USB-20B  
XJY-USB-19 XJY-USB-19B XJY-USB-21 XJY-USB-21B

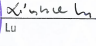
Serial No.: n.a.  
Remark: Refer to test report 15087115 002 for details.

**Tested acc. to:** EN 55032:2015  
EN 55024:2010  
EN 61000-3-2:2014  
EN 61000-3-3:2013



This certificate of conformity is based on an evaluation of a sample of the above mentioned product. Technical Report and documentation are at the Licence Holder's disposal. This is to certify that the tested sample is in conformity with all provisions of Annex III of Council Directive 2014/30/EU. This certificate does not imply assessment of the production of the product and does not permit the use of a TÜV Rheinland mark of conformity. The holder of the certificate is authorized to use this certificate in connection with the EC declaration of conformity according to the a.m. Directive.

Certification Body

Date 24.10.2016

  
Xinhua Lu

TÜV Rheinland LGA Products GmbH - Tillystraße 2 - 90431 Nürnberg

 The CE marking may only be used if all relevant and effective EC Directives are complied with 

TÜV Rheinland (China) Ltd.  
Member of TÜV Rheinland Group



Zhejiang New-epoch Communication Industry Co., Ltd.  
Zheng Suihui  
Develop Road, Wengyang Industry Zone, Yueqing, Zhejiang 325606  
P.R. China

Date : 24.10.2016  
Our ref. : XFA 01  
Your ref. : Z.S.H

Ref : AE Certificate of Conformity EMC

Type of Equipment : Fixed Socket-outlet with USB port  
Model Designation : See Certificate  
Certificate No. : AE 50361583 0001  
Report No. : 15087115 002

Dear Zheng Suihui,

We herewith confirm that a sample of the above mentioned technical equipment has been tested and was found to be in accordance with the relevant requirements.

Enclosed please find your Certificate of Conformity.

We appreciate your kind support and would like to offer our assistance and continuous services in the future.

With kind regards,

Certification Body

  
Xinhua Lu

CC: Zhejiang New-epoch Communication

Enclosure

证书的详细资料请登陆[www.certipedia.com](http://www.certipedia.com)查阅,或拨打我司客服热线800 999 3668 / 400 883 1300咨询

TÜV Rheinland (China) Ltd. Unit 707, AVIC Bldg., No. 108, 北京市朝阳区东三环中路乙10号  
Tel: (8610)6566 6660  
莱茵检测认证服务(中国)有限公司 Central Road, East 3rd Ring 艾维克大厦707室 Fax: (8610)6566 6667  
Road, Chaoyang District, 邮编: 100022 e-mail: info@tl.chn.tuv.com  
Beijing, 100022, P.R.China Internet: <http://www.chn.tuv.com>

## Feature :



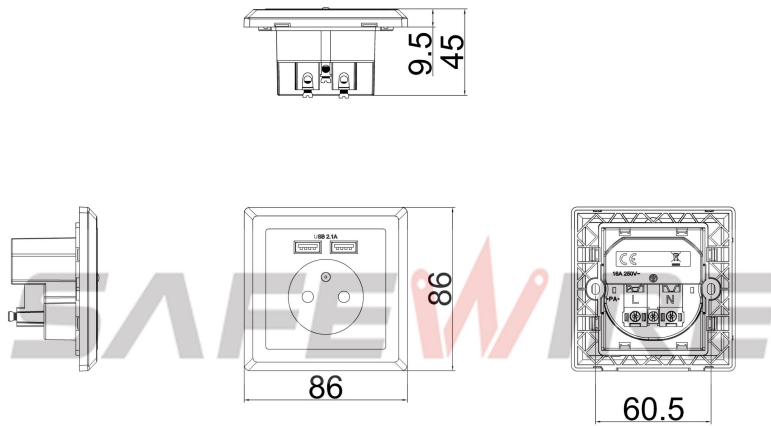
- 1.5...2.5mm<sup>2</sup> for stranded cable (s)
- 1.5...2.5mm<sup>2</sup> for flexible cable (s)
- 1.5...2.5mm<sup>2</sup> for rigid cable (s)

- 1).Dual charge USB charging port: can be supplied for both 2 sets of equipment at high speed. Power supplies stable and can be use of vaious types of global apple, Android and other devices.
- 2). AC wall socket module with single grounded French outlet;
- 3).MAX 5V dual 2.1A USB output power, really output be certificated by CE,IEC60950 FOR LVD and IEC55024,IEC61000 for EMC;
- 4). All materials be RoHS directive tested

**XJY-USB-19B Outline drawing:**

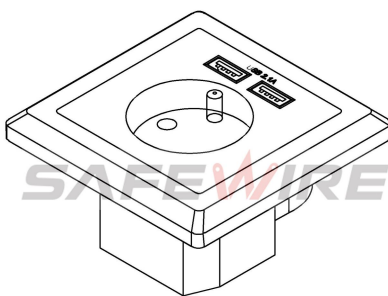
XJY-USB-19B outline

Units:mm

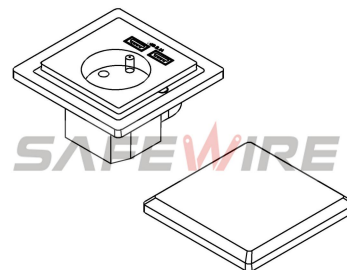


**Installation Process**

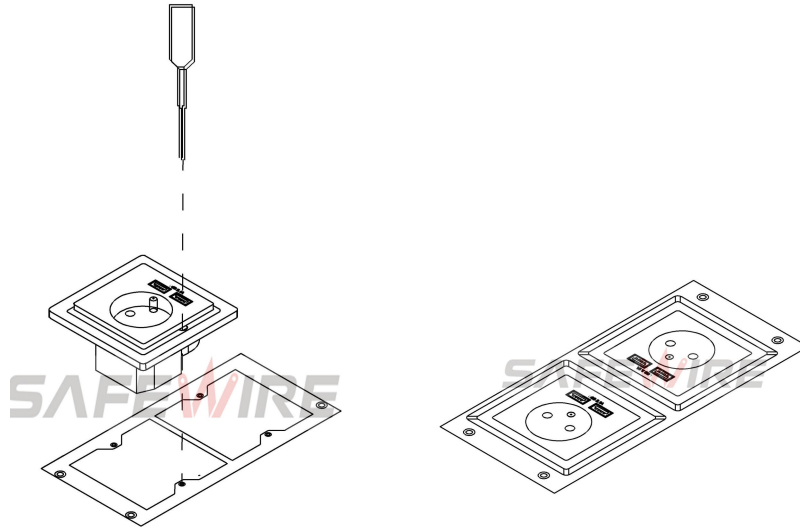
- 1.Click out face plate from 86 type USB switch.
- 2.Just point the hole of USB switch and bridge/frame slot them together.
- 3.Screw and tighten them.



(1)



(2)



(3)

**4.Safety Warning:**

1. This is a class I product and must be earthed.
2. For indoor use only.
- 3.This product must be installed/wired by a qualified electrician.

**5.Attentions:**

- 1.Protect children from touch skirt of USB port.
- 2.Ensure current and voltage as rating current/voltage .DO not overload
3. Prevent from corrosive liquid, gas (strong acid, strong alkali, paint)and humidity.