



Wenzhou Safewire Electric Co.,Ltd.
No.152 Xingguang Road, Xingguang industry zone, Liushi town, Yueqing, Wenzhou,China ,325604
Tel:0086-577-62799688; Email:info@safewirele.com;
www.safewirele.com

Wenzhou Safewire Electric CO.,Ltd.

SPECIFICATION SHEET

PRODUCT NAME: Wall switch

PRODUCT No. : SF-86-USB-23B



ADD: 152 xinguang industrial zone, yueqing city, zhejiang province
(TEL) :0086-577-62799688
(E-mail) : info@safewirele.com
(WEB): <http://www.safewirele.com>



Wenzhou Safewire Electric Co.,Ltd.

No.152 Xingguang Road, Xingguang industry zone, Liushi town, Yueqing, Wenzhou,China ,325604
Tel:0086-577-62799688; Email:info@safewirele.com;

www.safewirele.com

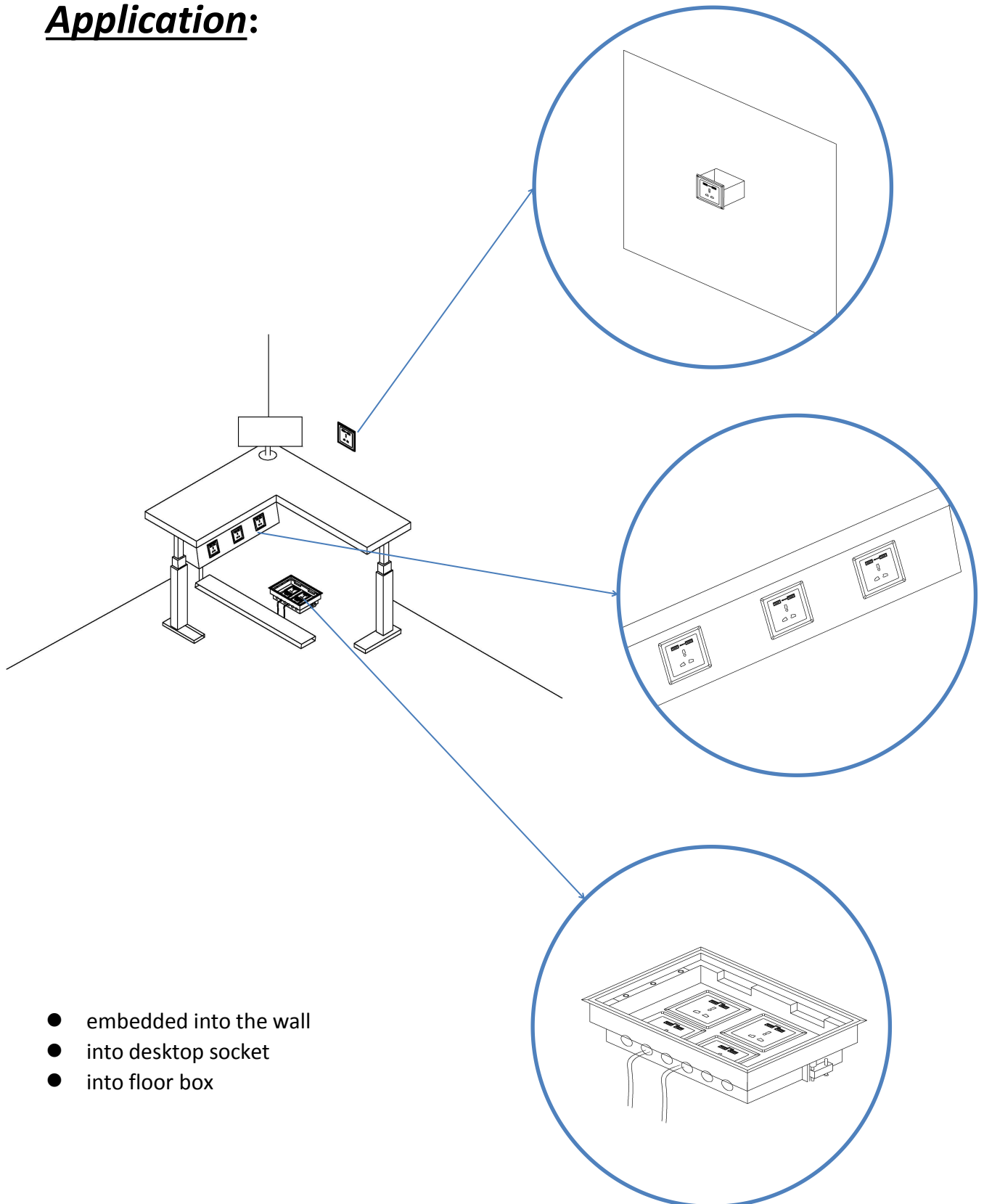
USB Characteristic:

Serial No.	Parameter	Description
1	Panel Material	PC 94-V0
2	Inside material	Tin phosphorous bronze
3	Surface finish	Glossy
4	USB DC output	2.1A/5V
5	Output voltage tolerance	±3%
6	Output power	Max.10.5W
7	Service life in hours	3000h 10.5W
8	Efficiency	78%
9	No-load power consumption	Max 0.2W
10	Input voltage	100~240v/AC 50~60Hz
11	Color	White RAL9003 Black
12	Number of terminals	2 screw terminals
13	Electrical insulation class	Class II
14	IK degree of protection	IK04
15	IP degree of protection	IP21
16	Dimension of product	86*86mm

Environmental requirements

Serial No.	Parameter	Description
1	Operating temperature	-10℃~+40℃;Operating
2	humidity	20%~90% RH
3	Storage temperature	-20℃~+85℃;storage
4	humidity	10%~95% RH
5	Resistance to pressure	≥3Kv/AC 1min
6	Isolation resistance	500v DC/100MΩ

Application:



- embedded into the wall
- into desktop socket
- into floor box



Wenzhou Safewire Electric Co.,Ltd.

No.152 Xingguang Road, Xingguang industry zone, Liushi town, Yueqing, Wenzhou,China ,325604
Tel:0086-577-62799688; Email:info@safewirele.com;

www.safewirele.com

Certificate of Compliance

Certificate Number: BSTSH190711792501CC

Applicant : ZHEJIANG NEW-EPOCH COMMUNICATION INDUSTRY CO., LTD
Develop Road, Wengyang Industry Zone, Yueqing, Zhejiang, China
Manufacturer : ZHEJIANG NEW-EPOCH COMMUNICATION INDUSTRY CO., LTD
Develop Road, Wengyang Industry Zone, Yueqing, Zhejiang, China
Product Name : FIXED SOCKET-OUTLET WITH USB PORT
Main Test Model : USB-19B
Additional Model : USB-10, USB-11, USB-12, USB-15, USB-16, USB-17, USB-18,
USB-18B, USB-19, USB-20, USB-21, USB-22, USB-23, USB-24,
USB-25, USB-26, USB-27, USB-28, USB-29, USB-30, USB-31,
USB-32, USB-33, USB-34, USB-35, USB-36, USB-37, USB-40,
USB-41, USB-42, USB-43, USB-44, USB-45
Test Standard : IEC 62321-4:2013+AMD1:2017, IEC 62321-5:2013,
IEC 62321-6:2015, IEC 62321-7-1:2015,
IEC 62321-7-2:2017, IEC 62321-8:2017
As shown in the Test Report No. : BSTSH190711792501CR

The EUT described above has been tested by us and found in compliance with the council RoHS 2 Directive 2011/65/EU Annex II (EU) 2015/863 as last amended by Directive (EU) 2017/2102. This certificate is only valid in conjunction with the test report.

RoHS

Tony Qian
Approved Signatory
Jul.15, 2019

Dongguan BST Testing Co., Ltd

Add: A1201-1204 Xinsanqi of Dongbao Road, Dongcheng District, Dongguan, Guangdong, China

Certificate Search: <http://www.bst-lab.com>, Tel: 400-8829628, 800-9990305, E-mail: christina@bst-lab.com

Feature :



1.5...2.5mm² for stranded cable (s)

1.5...2.5mm² for flexible cable (s)

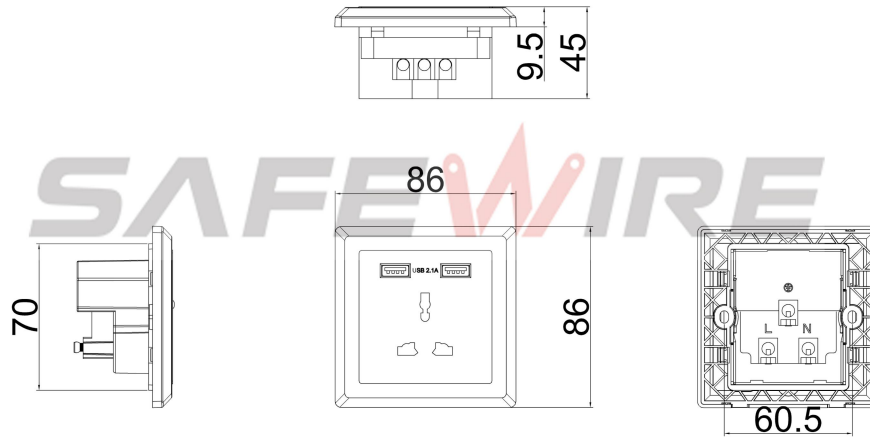
1.5...2.5mm² for rigid cable (s)

- 1).Dual charge USB charging port: can be supplied for both 2 sets of equipment at high speed. Power supplies stable and can be use of vaious types of global apple, Android and other devices.
- 2). AC wall socket module with single grounded Universal outlet;
- 3).MAX 5V dual 2.1A USB output power, really output be certificated by CE,IEC60950 FOR LVD and IEC55024,IEC61000 for EMC;
- 4). All materials be RoHS directive tested

SF-86-USB-23B Outline drawing:

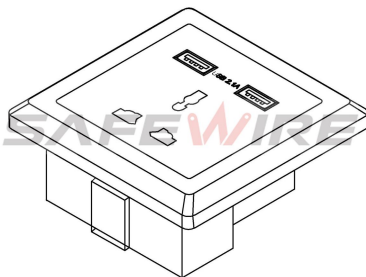
SF-86-USB-23B outline

Units:mm

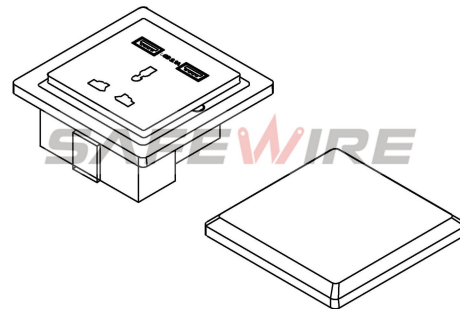


Installation Process

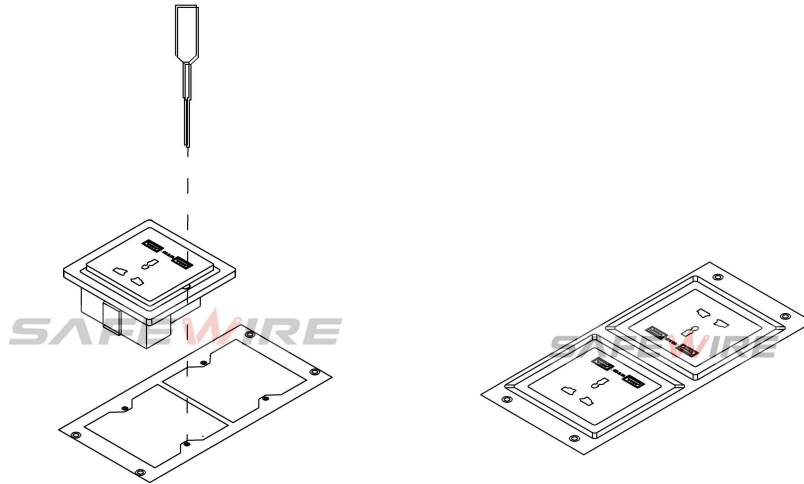
- 1.Click out face plate from 86 type USB switch.
- 2.Just point the hole of USB switch and bridge/frame slot them together.
- 3.Screw and tighten them.



(1)



(2)



(3)

4.Safety Warning:

1. This is a class I product and must be earthed.
2. For indoor use only.
- 3.This product must be installed/wired by a qualified electrician.

5.Attentions:

- 1.Protect children from touch skirt of USB port.
- 2.Ensure current and voltage as rating current/voltage .DO not overload
3. Prevent from corrosive liquid, gas (strong acid, strong alkali, paint)and humidity.