



Wenzhou Safewire Electric Co.,Ltd.

No.152 Xingguang Road, Xingguang industry zone, Liushi town, Yueqing, Wenzhou,China ,325604  
Tel:0086-577-62799688; Email:info@safewirele.com;

[www.safewirele.com](http://www.safewirele.com)

---

Wenzhou Safewire Electric CO.,Ltd.

## SPECIFICATION SHEET

**PRODUCT NAME:**      Wall switch

**PRODUCT No. :**      SF-80-USB-54C



SF-80-USB-54C

ADD: 152 xingguang industrial zone, yueqing city, zhejiang province

(TEL) :0086-577-62799688

(E-mail) : info@safewirele.com

(WEB): <http://www.safewirele.com>



Wenzhou Safewire Electric Co.,Ltd.

No.152 Xingguang Road, Xingguang industry zone, Liushi town, Yueqing, Wenzhou,China ,325604  
Tel:0086-577-62799688; Email:info@safewirele.com;

[www.safewirele.com](http://www.safewirele.com)

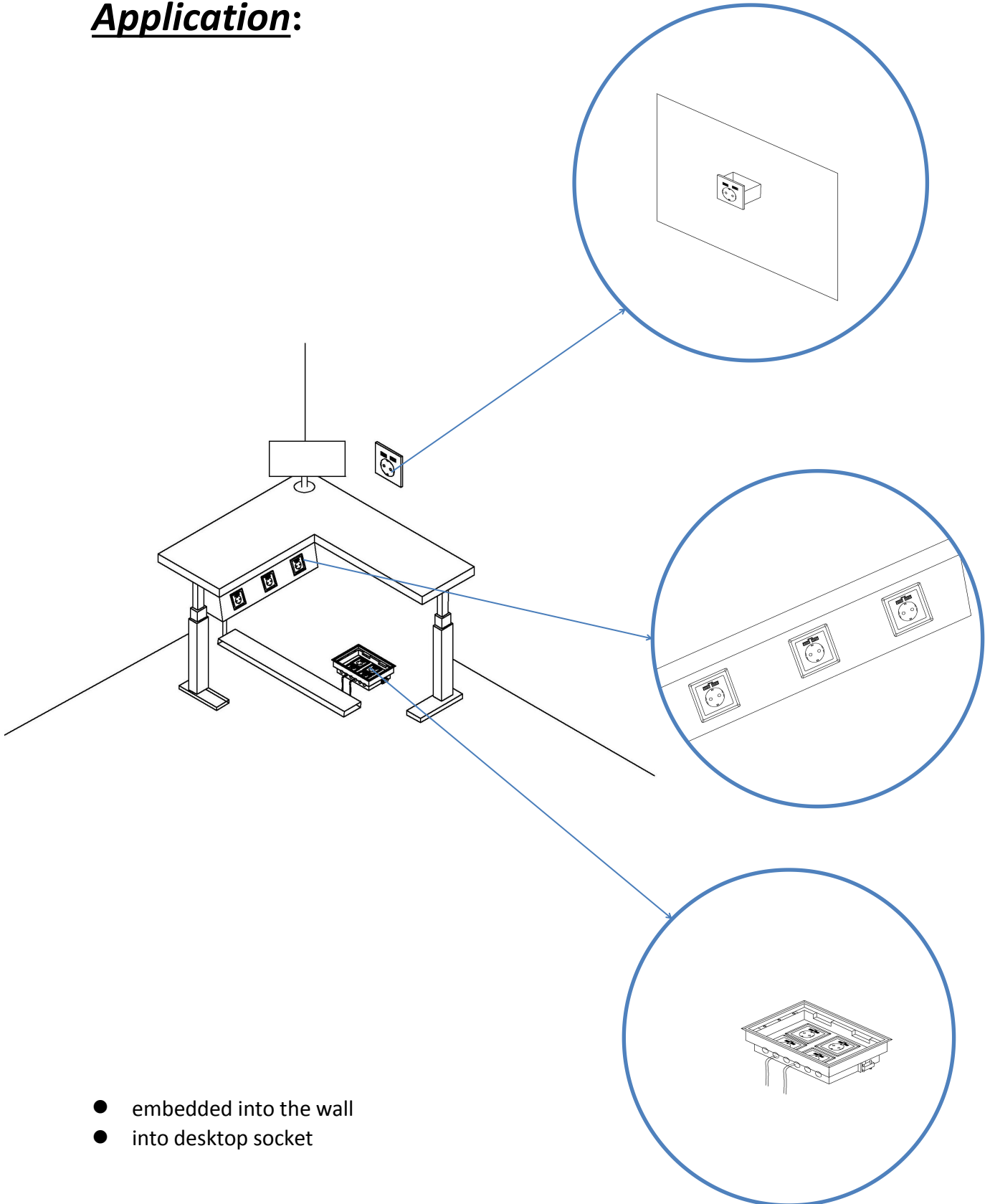
## **USB Characteristic:**

Serial No.	Parameter	Description
1	Panel Material	PC 94-V0
2	Inside material	Tin phosphorous bronze
3	Surface finish	Glossy
4	USB DC output	2.4A/5V
5	Output voltage tolerance	±3%
6	Output power	Max.10.5W
7	Service life in hours	3000h 10.5W
8	Efficiency	78%
9	No-load power consumption	Max 0.2W
10	Input voltage	100~240v/AC 50~60Hz
11	Color	White RAL9003 Black
12	Number of terminals	2 screw terminals
13	Electrical insulation class	Class II
14	IK degree of protection	IK04
15	IP degree of protection	IP21
16	Dimension of product	80*80mm

## **Environmental requirements**

Serial No.	Parameter	Description
1	Operating temperature	-10℃~+40℃;Operating
2	humidity	20%~90% RH
3	Storage temperature	-20℃~+85℃;storage
4	humidity	10%~95% RH
5	Resistance to pressure	≥3Kv/AC 1min
6	Isolation resistance	500v DC/100MΩ

## Application:



● into floor box

## Feature :



1.5...2.5mm<sup>2</sup> for stranded cable (s)

1.5...2.5mm<sup>2</sup> for flexible cable (s)

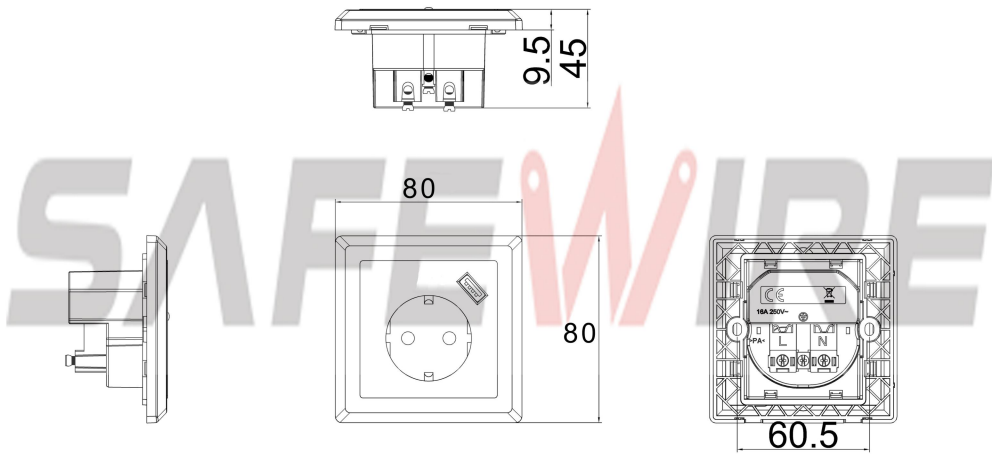
1.5...2.5mm<sup>2</sup> for rigid cable (s)

- 1).Dual charge USB charging port: can be supplied for both 2 sets of equipment at high speed. Power supplies stable and can be use of vaious types of global apple, Android and other devices.
- 2). AC wall socket module with single grounded French Schuko outlet;
- 3).MAX 5V dual 2.4A USB output power, really output be certificated by CE,IEC60950 FOR LVD and IEC55024,IEC61000 for EMC;
- 4). All materials be RoHS directive tested

**SF-80-USB-54C Outline drawing:**

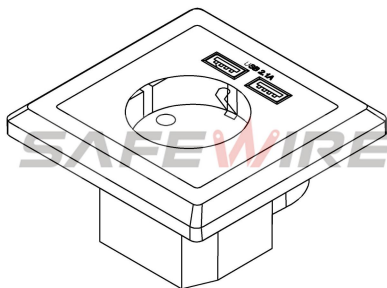
SF-80-USB-54C outline

Units:mm

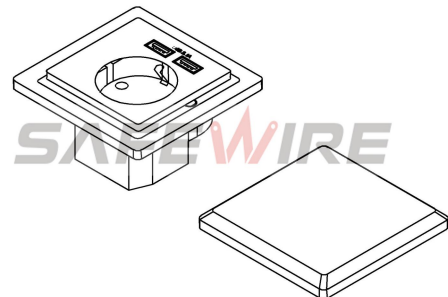


**Installation Process**

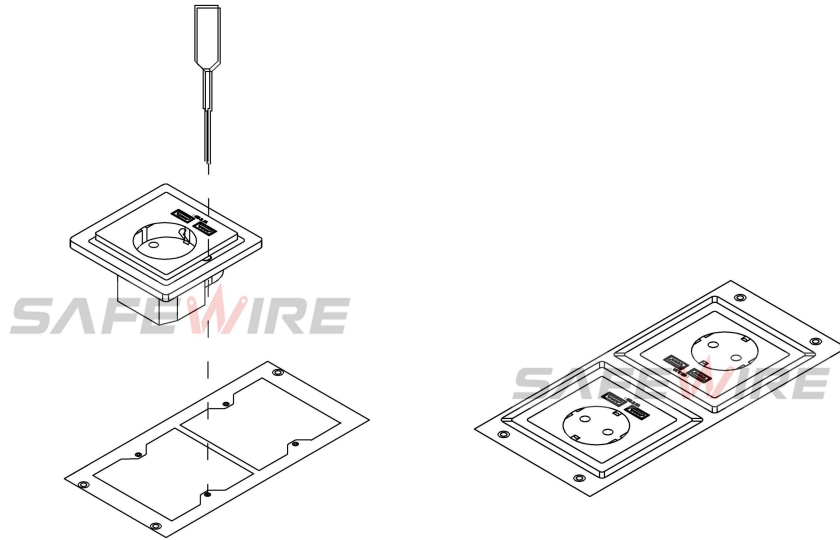
- 1.Click out face plate from 86 type USB switch.
- 2.Just point the hole of USB switch and bridge/frame slot them together.
- 3.Screw and tighten them.



(1)



(2)



(3)

**4.Safety Warning:**

1. This is a class I product and must be earthed.
2. For indoor use only.
- 3.This product must be installed/wired by a qualified electrician.

**5.Attentions:**

- 1.Protect children from touch skirt of USB port.
- 2.Ensure current and voltage as rating current/voltage .DO not overload
3. Prevent from corrosive liquid, gas (strong acid, strong alkali, paint)and humidity.