



Wenzhou Safewire Electric Co.,Ltd.

No.152 Xingguang Road, Xingguang industry zone, Liushi town, Yueqing, Wenzhou,China ,325604
Tel:0086-577-62799688; Email:info@safewirele.com;

www.safewirele.com

Wenzhou Safewire Electric CO.,Ltd.

SPECIFICATION SHEET

PRODUCT NAME: Wall switch

PRODUCT No. : SF-80-USB-46B



ADD: 152 xinguang industrial zone, yueqing city, zhejiang province

(TEL) :0086-577-62799688

(E-mail) : info@safewirele.com

(WEB): <http://www.safewirele.com>



Wenzhou Safewire Electric Co.,Ltd.

No.152 Xingguang Road, Xingguang industry zone, Liushi town, Yueqing, Wenzhou,China ,325604
Tel:0086-577-62799688; Email:info@safewirele.com;

www.safewirele.com

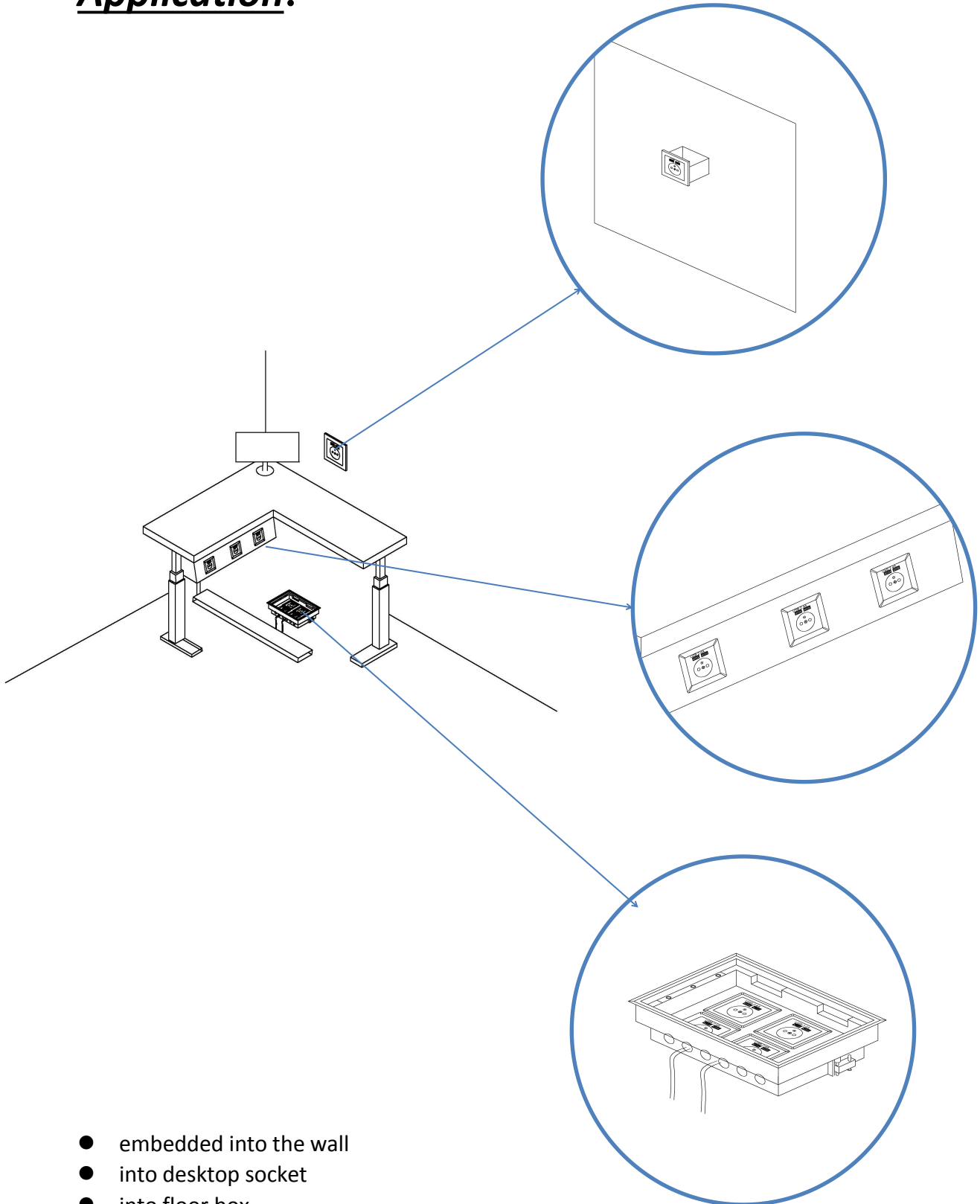
USB Characteristic:

Serial No.	Parameter	Description
1	Panel Material	PC 94-V0
2	Inside material	Tin phosphorous bronze
3	Surface finish	Glossy
4	USB DC output	2.4A/5V
5	Output voltage tolerance	±5%
6	Output power	Max.12W
7	Service life in hours	3000h 12W
8	Efficiency	78%
9	No-load power consumption	Max 0.2W
10	Input voltage	100~240v/AC 50~60Hz
11	Color	White RAL9003 Black
12	Number of terminals	2 screw terminals
13	Electrical insulation class	Class II
14	IK degree of protection	IK04
15	IP degree of protection	IP21
16	Dimension of product	80*80mm

Environmental requirements

Serial No.	Parameter	Description
1	Operating temperature	-10℃~+40℃;Operating
2	humidity	20%~90% RH
3	Storage temperature	-20℃~+85℃;storage
4	humidity	10%~95% RH
5	Resistance to pressure	≥3Kv/AC 1min
6	Isolation resistance	500v DC/100MΩ

Application:



- embedded into the wall
- into desktop socket
- into floor box

Feature :



1.5...2.5mm² for stranded cable (s)

1.5...2.5mm² for flexible cable (s)

1.5...2.5mm² for rigid cable (s)

1).Dual charge USB charging port: can be supplied for both 2 sets of equipment at high speed. Power supplies stable and can be use of vaious types of global apple, Android and other devices.

2). AC wall socket module with single grounded French Schuko outlet;

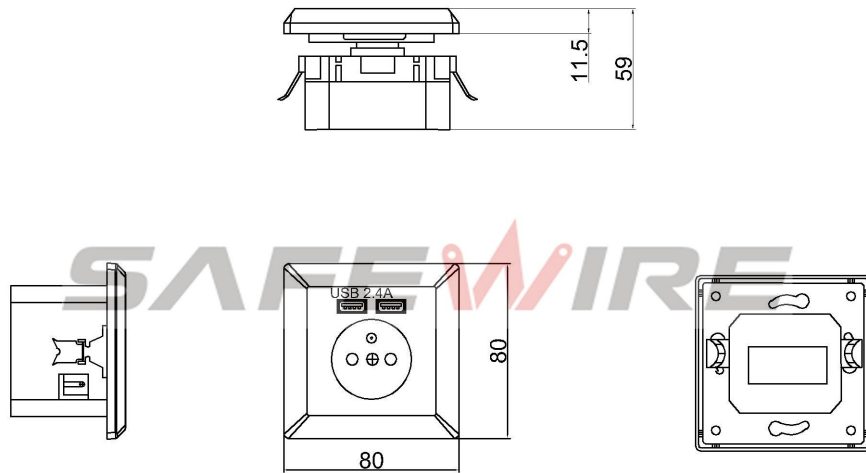
3).MAX 5V dual 2.4A USB output power, really output be certificated by CE,IEC60950 FOR LVD and IEC55024,IEC61000 for EMC;

4). All materials be RoHS directive tested

SF-80-USB-46B Outline drawing:

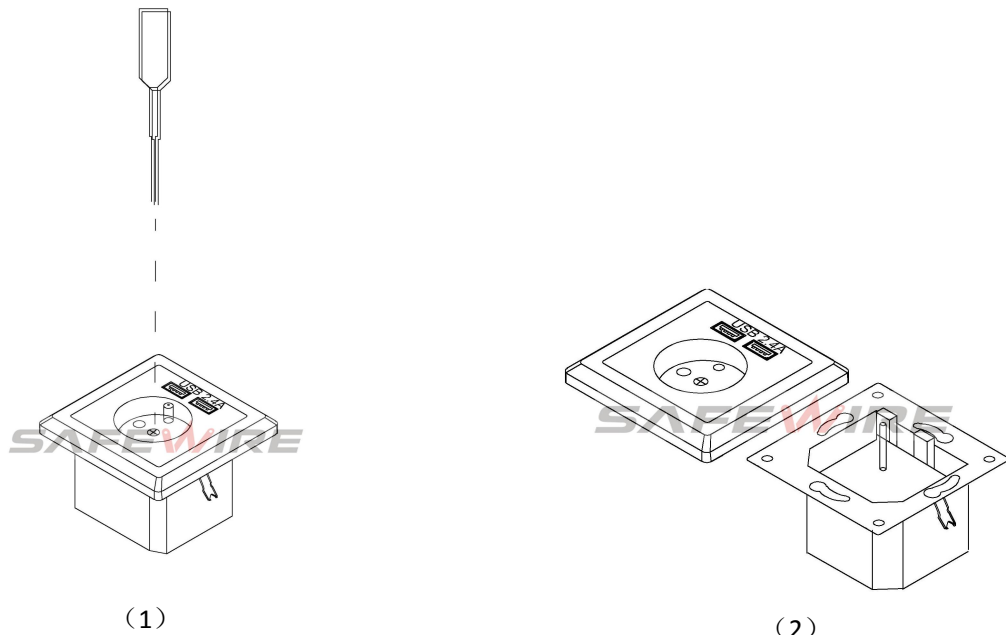
SF-80-USB-46B outline

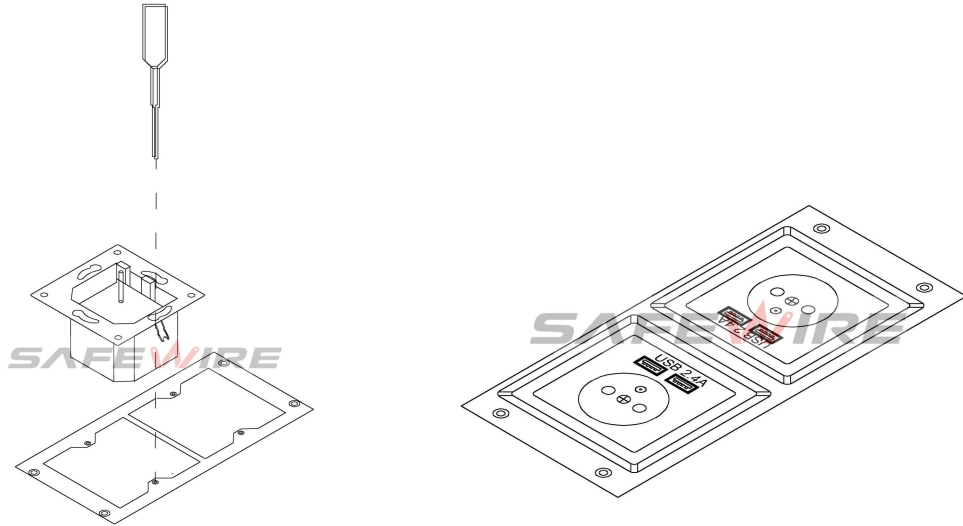
Units:mm



Installation Process

- 1..Use a tool to unscrew the middle of the panel
- 2.Just point the hole of USB switch and bridge/frame slot them together.
- 3.Screw and tighten them.





(3)

4.Safety Warning:

1. This is a class I product and must be earthed.
2. For indoor use only.
- 3.This product must be installed/wired by a qualified electrician.

5.Attentions:

- 1.Protect children from touch skirt of USB port.
- 2.Ensure current and voltage as rating current/voltage .DO not overload
3. Prevent from corrosive liquid, gas (strong acid, strong alkali, paint)and humidity.