



Wenzhou Safewire Electric Co.,Ltd.

No.152 Xingguang Road, Xingguang industry zone, Liushi town, Yueqing, Wenzhou,China ,325604
Tel:0086-577-62799688; Email:info@safewirele.com;

www.safewirele.com

Wenzhou Safewire Electric CO.,Ltd.

SPECIFICATION SHEET

PRODUCT NAME: Flush-mounting USB charger

PRODUCT No. : SF-USB-17I-PD



SF-USB-17I-PD

ADD: 152 xinguang industrial zone, yueqing city, zhejiang province

(TEL) :0086-577-62799688

(E-mail) : info@safewirele.com

(WEB): <http://www.safewirele.com>



Wenzhou Safewire Electric Co.,Ltd.

No.152 Xingguang Road, Xingguang industry zone, Liushi town, Yueqing, Wenzhou,China ,325604
Tel:0086-577-62799688; Email:info@safewirele.com;

www.safewirele.com

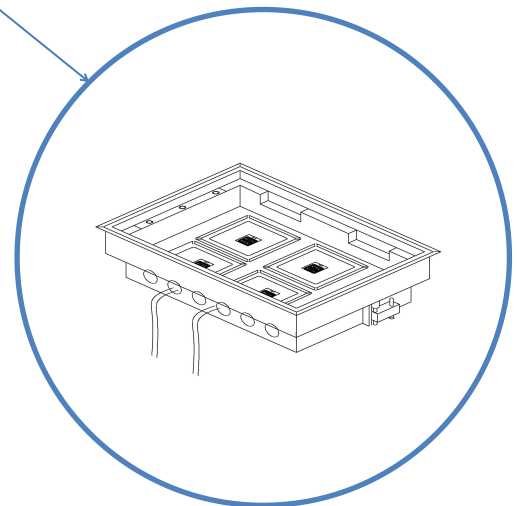
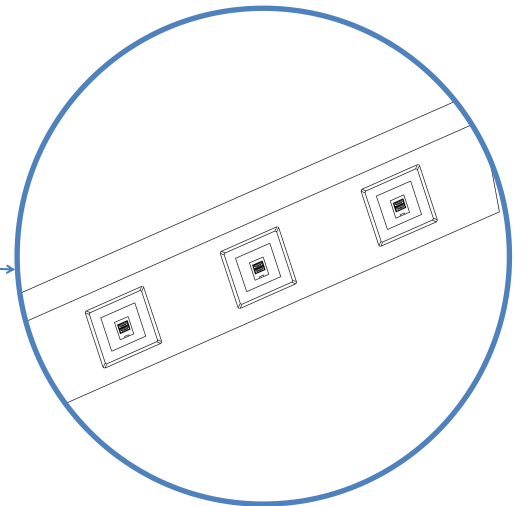
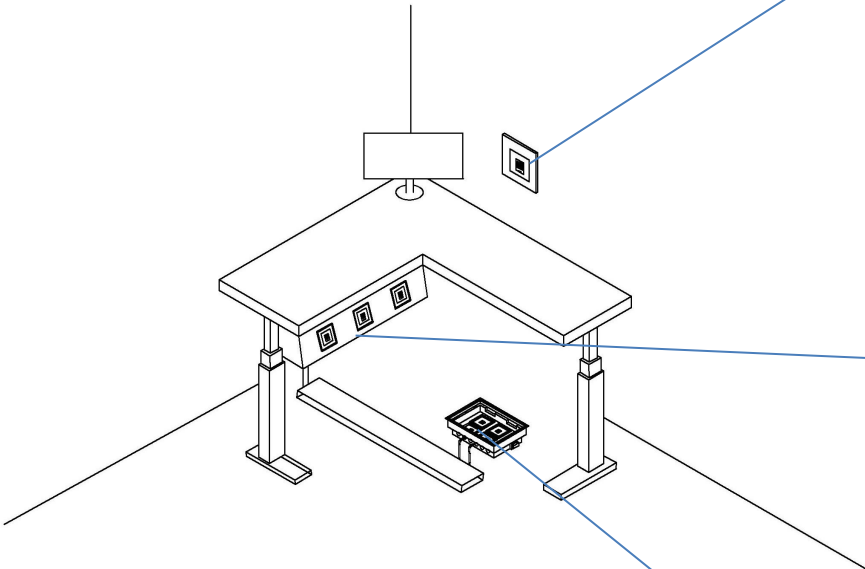
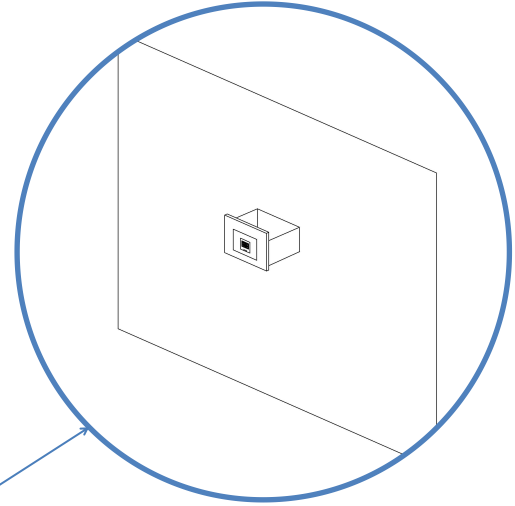
USB Characteristic:

Serial No.	Parameter	Description
1	Panel Material	PC 94-V0
2	Inside material	Tin phosphorous bronze
3	USB DC output	QC3.0 3A/5V,2A/9V & 1.5A/12V
4	Output voltage tolerance	±5%
5	Output	Type C for IPAD
6	Efficiency	78%
7	No-load power consumption	Max 0.2W
8	Input voltage	100~240v/AC 50~60Hz
9	Color	White RAL9003 Black
10	Size	80*80mm

Environmental requirements

Serial No.	Parameter	Description
1	Operating temperature	-10℃~+40℃;Operating
2	humidity	20%~90% RH
3	Storage temperature	-20℃~+85℃;storage
4	humidity	10%~95% RH
5	Resistance to pressure	≥3Kv/AC 1min
6	Isolation resistance	500v DC/100MΩ

Application:



- embedded into the wall
- into desktop socket
- into floor box

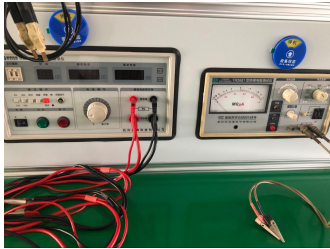


SAFEWIRE

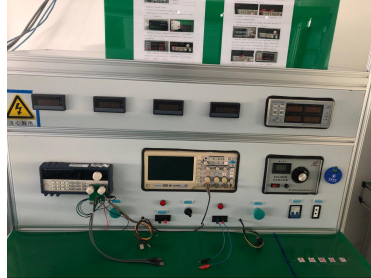
Wenzhou Safewire Electric Co.,Ltd.

No.152 Xingguang Road, Xingguang industry zone, Liushi town, Yueqing, Wenzhou,China ,325604
Tel:0086-577-62799688; Email:info@safewirele.com;

www.safewirele.com



insulation resistance tester



dielectric strength tester



Current tester



Feature :

- 1).USB charger of QC3.0 3A/5V ,2A/9V,1.5A/12V;
- 2). Protection type: Short time short-circuit protection;
- 3).With identifying chip: can automatically recognize different mobiles and suit its request charging AMP to meet the charging speed;
- 4) Product be certificated by CE,IEC60950 FOR LVD and IEC55024,IEC61000 for EMC;
- 5). All materials be ROHS directive tested



Wenzhou Safewire Electric Co.,Ltd.

No.152 Xingguang Road, Xingguang industry zone, Liushi town, Yueqing, Wenzhou,China ,325604
Tel:0086-577-62799688; Email:info@safewirele.com;

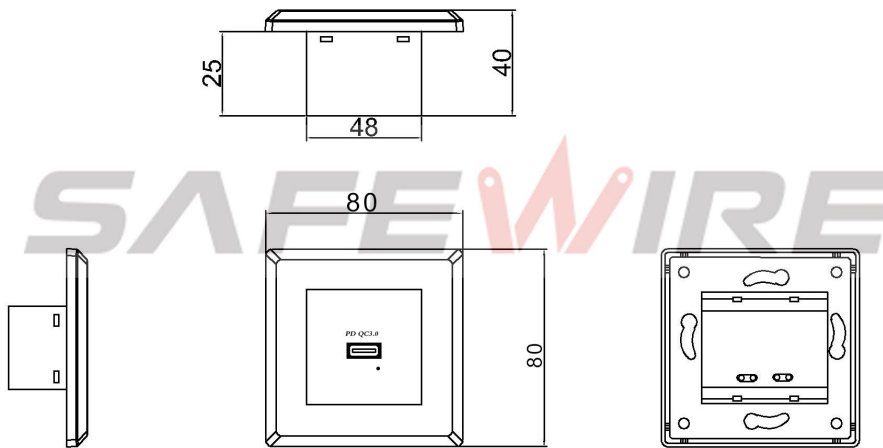
www.safewirele.com

Testing Item	Testing Standard	Testing Data
Aging test	USB charger for 2 hours with LED lights must always light	2 hours
	High and low pressure 90V-264V to normal operation	90V-264V normal
Power test	Rated output voltage range: no-load: 5V \pm5%, load:5V \pm5%	No-load: 4.92-4.95V, load: 5.04-5.1
	Rated output/ currentcurrent protection: Max. 1.37 times as rating current)	QC3.0 3A;1.5A/12V
	Output ripple: load 4.2A, Vpp<200mV	86.9mV
	Short circuit protection: output positive and negative short for 2 minutes, after the break to work properly	2 minutes
	Pin output voltage: D-: 2.75VDC/D+:2VDC, subject to actual test value	D-:2.63VDC/D+:2.68VDC
Pressure test	Under normal climatic conditions, the input and output terminals should withstand the corresponding voltage(USB-10, 101 series for the 1500V, the other is more than 3000V), Generally every test a minute without breakdown flashing phenomenon was qualified, and leakage \leq5mA.	3000V 0.68mA-0.69mA
Insulation resistance test	In the normal temperature environment, AC input plug and DC input plug between the input DC500V, 1 minute after the insulation resistance of 7 trillion or more	∞
Grounding resistance	In any case the resistance shall not exceed 100m Ω	
Temperature rise test	At room temperature 30 $^{\circ}$Crated work, the charger rated for 2 h after the measurement of its shell surface temperature change <1 $^{\circ}$C/ h that the temperature is stable, this time measuring the surface temperature of its shell <50 $^{\circ}$C	Pass
Limit load	Test the product load current limit can run the load value	pass

SF-USB-171-PD Outline drawing:

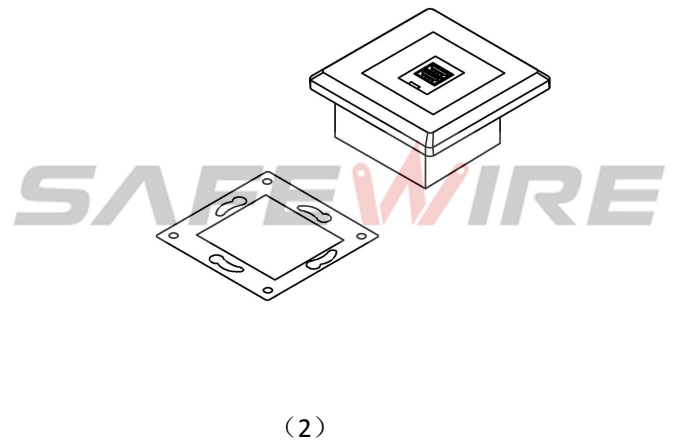
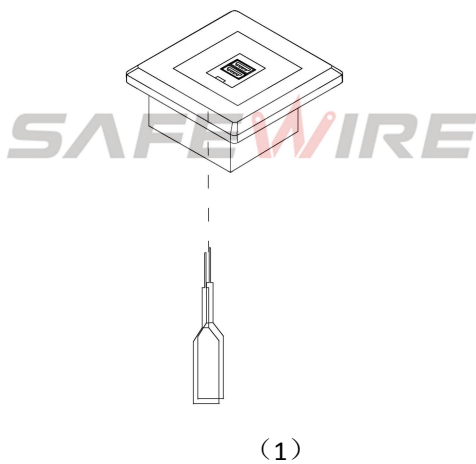
SF-USB-171-PD outline

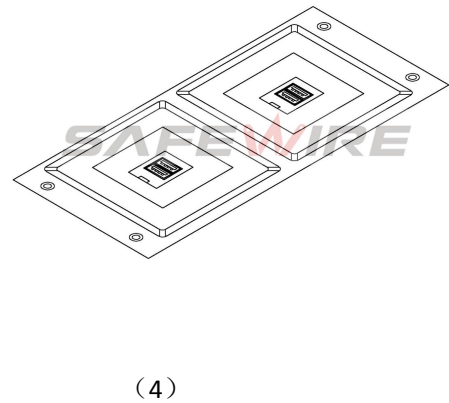
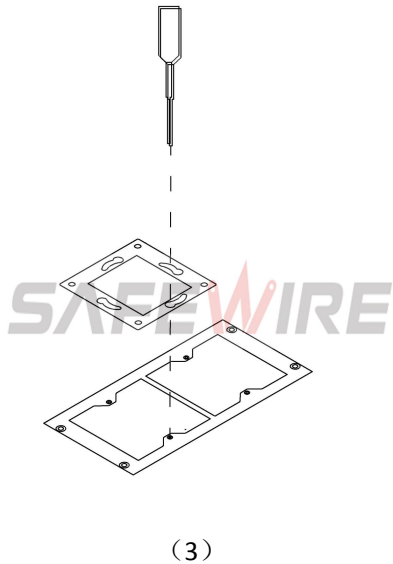
Units:mm



Installation Process

- 1 .Remove the iron partition from under the panel
- 2 .Just point the hole of iron plate and bridge/frame slot them together.
- 3 .Screw and tighten them.
- 4 .Clamp the plate into the iron plate





4.Safety Warning:

1. This is a class I product and must be earthed.
2. For indoor use only.
- 3.This product must be installed/wired by a qualified electrician.

5.Attentions:

- 1.Protect children from touch skirt of USB port.
- 2.Ensure current and voltage as rating current/voltage .DO not overload
3. Prevent from corrosive liquid, gas (strong acid, strong alkali, paint)and humidity.