



Wenzhou Safewire Electric Co.,Ltd.

No.152 Xingguang Road, Xingguang industry zone, Liushi town, Yueqing, Wenzhou,China ,325604
Tel:0086-577-62799688; Email:info@safewirele.com;

www.safewirele.com

Wenzhou Safewire Electric CO.,Ltd.

SPECIFICATION SHEET

PRODUCT NAME: USB charger

PRODUCT No. : F1021A-A/A



ADD: 152 xinguang industrial zone, yueqing city, zhejiang province

(TEL) :0086-577-62799688

(E-mail) : info@safewirele.com

(WEB): <http://www.safewirele.com>



Wenzhou Safewire Electric Co.,Ltd.

No.152 Xingguang Road, Xingguang industry zone, Liushi town, Yueqing, Wenzhou,China ,325604
Tel:0086-577-62799688; Email:info@safewirele.com;

www.safewirele.com

USB Characteristic:

Serial No.	Parameter	Description
1	Panel Material	PC 94-V0
2	Inside material	Tin phosphorous bronze
3	Surface finish	Glossy
4	USB DC output	2.1A/5V
5	Output voltage tolerance	±5%
6	Output power	Max.10.5W
7	Service life in hours	3000h 10.5W
8	Efficiency	78%
9	No-load power consumption	Max 0.2W
10	Input voltage	100~240v/AC 50~60Hz
11	Color	White RAL9003 Black
12	Number of terminals	2 screw terminals
13	Electrical insulation class	Class II
14	IK degree of protection	IK04
15	IP degree of protection	IP21
16	Dimension of product	45*45mm

Environmental requirements

Serial No.	Parameter	Description
1	Operating temperature	-10℃~+40℃;Operating
2	humidity	20%~90% RH
3	Storage temperature	-20℃~+85℃;storage
4	humidity	10%~95% RH
5	Resistance to pressure	≥3Kv/AC 1min
6	Isolation resistance	500v DC/100MΩ



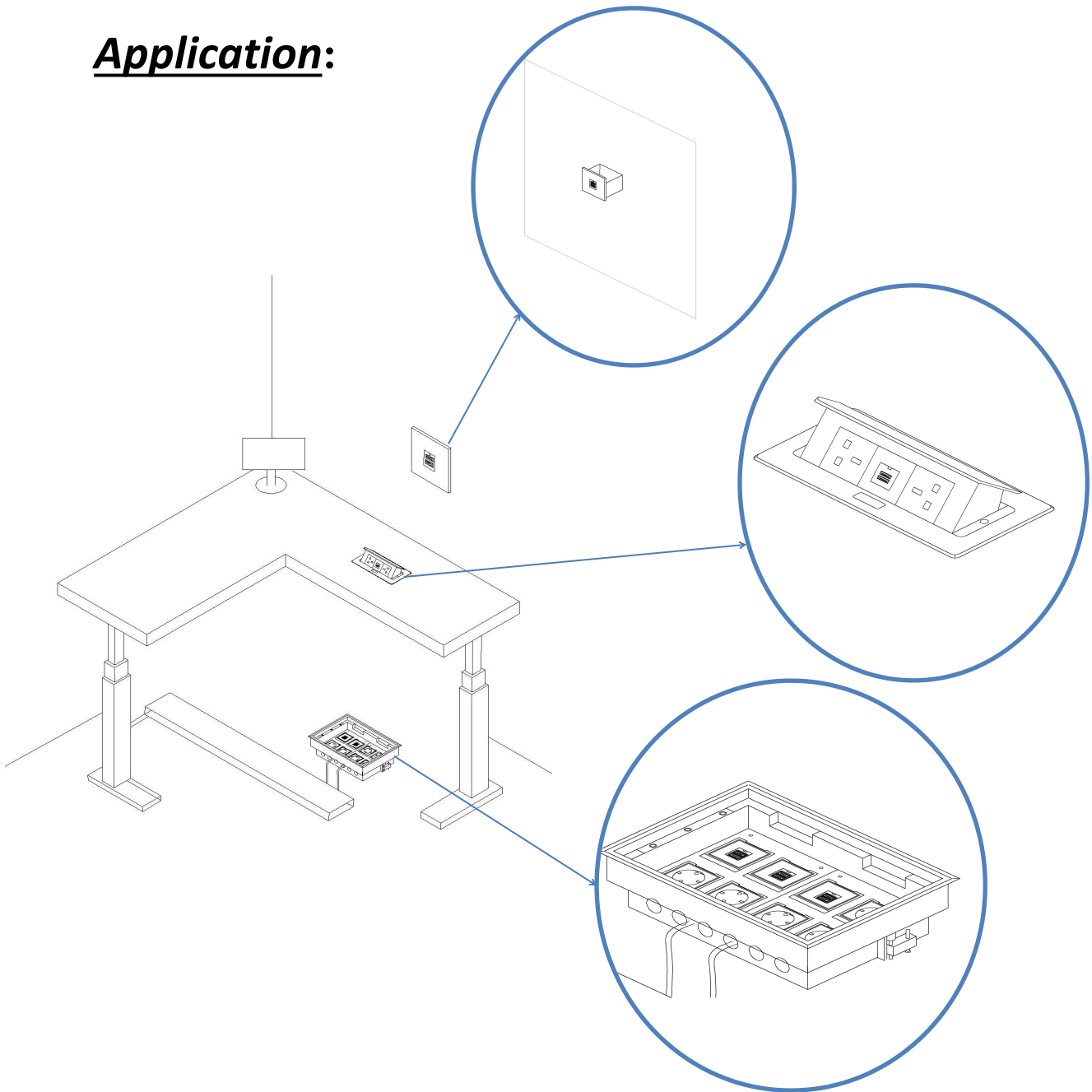
SAFEWIRE

Wenzhou Safewire Electric Co.,Ltd.

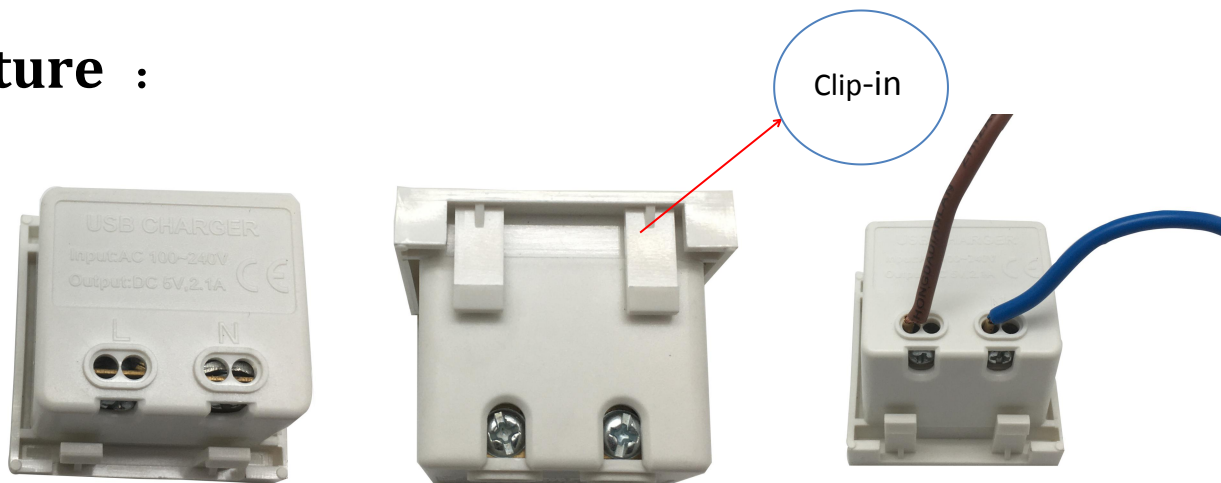
No.152 Xingguang Road, Xingguang industry zone, Liushi town, Yueqing, Wenzhou,China ,325604
Tel:0086-577-62799688; Email:info@safewirele.com;

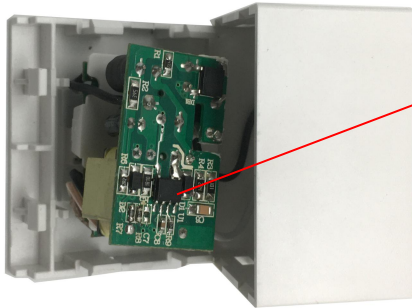
www.safewirele.com

Application:



Feature :





Identificati
on of the

1.5...2.5mm² for stranded cable (s)

1.5...2.5mm² for flexible cable (s)

1.5...2.5mm² for rigid cable (s)



insulation resistance tester



dielectric strength tester



Current tester

- 1).Dual port USB charger of 2.1A 5VDC;
- 2). Protection type: Short time short-circuit protection;
- 3).With identifying chip: can automatically recognize different mobiles and suit its request charging AMP to meet the charging speed;
- 4) Product be certificated by CE,IEC60950 FOR LVD and IEC55024,IEC61000 for EMC;
- 5). All materials be ROHS directive tested



Wenzhou Safewire Electric Co.,Ltd.

No.152 Xingguang Road, Xingguang industry zone, Liushi town, Yueqing, Wenzhou,China ,325604
Tel:0086-577-62799688; Email:info@safewirele.com;

www.safewirele.com

Testing Item	Testing Standard	Testing Data
Aging test	USB charger for 2 hours with LED lights must always light	2 hours
	High and low pressure 90V-264V to normal operation	90V-264V normal
Power test	Rated output voltage range: no-load: 5V \pm 5%, load:5V \pm 5%	No-load: 4.92-4.95V, load: 5.04-5.1
	Rated output current	5.0V
	Output ripple: load 1A/2.1A, Vpp<200mV	117mV-146mV
	Short circuit protection: output positive and negative short for 2 minutes, after the break to work properly	2 minutes
	Pin output voltage: D-: 2.75VDC/D+:2VDC, subject to actual test value	D-:2.77V/D+:2.763V
Pressure test	Under normal climatic conditions, the input and output terminals should withstand the corresponding voltage(USB-10, 101 series for the 1500V, the other is more than 3000V), Generally every test a minute without breakdown flashing phenomenon was qualified, and leakage \leq 5mA.	3000V 0.68mA-0.69mA
Insulation resistance test	In the normal temperature environment, AC input plug and DC input plug between the input DC500V, 1 minute after the insulation resistance of 7 trillion or more	∞
Grounding resistance	In any case the resistance shall not exceed 100m Ω	
Temperature rise test	At room temperature 30 $^{\circ}$ C rated work, the charger rated for 2 h after the measurement of its shell surface temperature change <1 $^{\circ}$ C/ h that the temperature is stable, this time measuring the surface temperature of its shell <50 $^{\circ}$ C	Pass
Limit load	Test the product load current limit can run the load value	pass

Package:10 Pcs inner box into a master carton.Poly bag with box packing.







Wenzhou Safewire Electric Co.,Ltd.

No.152 Xingguang Road, Xingguang industry zone, Liushi town, Yueqing, Wenzhou,China ,325604
Tel:0086-577-62799688; Email:info@safewirele.com;

www.safewirele.com

 C E R T I F I C A T E of Conformity EC Council Directive 2014/30/EU Electromagnetic Compatibility	
Registration No.:	AE 50442290 0001
Report No.:	50273645 001
Holder:	Zhejiang New-epoch Communication Industry Co., Ltd. Develop Road, Wengyang Industry Zone, Yueqing, Zhejiang 325606 P. R. China
Product:	Power Supply (USB Module)
Identification:	Type Designation: XJY-USB-27-I-A/A XJY-USB-27-A/A XJY-USB-27-I-A/C XJY-USB-27-A/C XJY-USB-26-A/A XJY-USB-26-A/C Serial No.: n.a. Remark: Refer to test report 50273645 001 for details.
Tested acc. to:	EN 55032:2015 EN 55024:2010+A1 EN 61000-3-2:2014 EN 61000-3-3:2013
<p>This certificate of conformity is based on an evaluation of a sample of the above mentioned product. Technical Report and documentation are at the Licence Holder's disposal. This is to certify that the tested sample is in conformity with all provisions of Annex I of Council Directive 2014/30/EU. This certificate does not imply assessment of the production of the product and does not permit the use of a TÜV Rheinland mark of conformity. The holder of the certificate is authorized to use this certificate in connection with the EC declaration of conformity according to the a.m. Directive.</p>	
Date <u>22.08.2019</u>	 James Zertifizierungsstelle
TÜV Rheinland LGA Products GmbH - Tillystraße 2 - 90431 Nürnberg	
CE The CE marking may only be used if all relevant and effective EC Directives are complied with. CE	

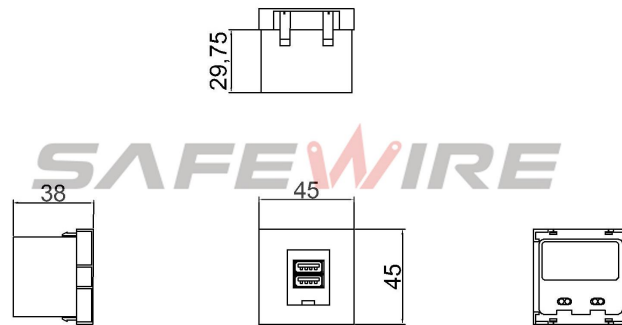


Wenzhou Safewire Electric Co.,Ltd.

No.152 Xingguang Road, Xingguang industry zone, Liushi town, Yueqing, Wenzhou,China ,325604
Tel:0086-577-62799688; Email:info@safewirele.com;

www.safewirele.com

F1021A-A/A Outline drawing:



4.Safety Warning:

1. For indoor use only.
- 2.This product must be installed/wired by a qualified electrician.

5.Attentions:

- 1.Protect children from touch skirt of USB port.
- 2.Ensure current and voltage as rating current/voltage .Do not overload
3. Prevent from corrosive liquid, gas (strong acid, strong alkali, paint)and humidity.