



Wenzhou Safewire Electric Co.,Ltd.

2nd floor, Wealth Garden, Liushi Town, Yueqing city,Wenzhou,Zhejiang,China
Tel:0086-577-61725369; Email:info@safewirele.com;

www.safewirele.com

Wenzhou Safewire Electric CO.,Ltd.

SPECIFICATION SHEET

PRODUCT NAME: European sockets multi-sockets

PRODUCT No. : XJY-QB-35-1/2/3



ADD: 2nd floor, Wealth Garden, Liushi Town, Yueqing city,Wenzhou,Zhejiang,China

(TEL) :0086-577-62799688

(E-mail) : info@safewirele.com

(WEB): <http://www.safewirele.com>



Wenzhou Safewire Electric Co.,Ltd.

2nd floor, Wealth Garden, Liushi Town, Yueqing city,Wenzhou,Zhejiang,China
Tel:0086-577-61725369; Email:info@safewirele.com;

www.safewirele.com

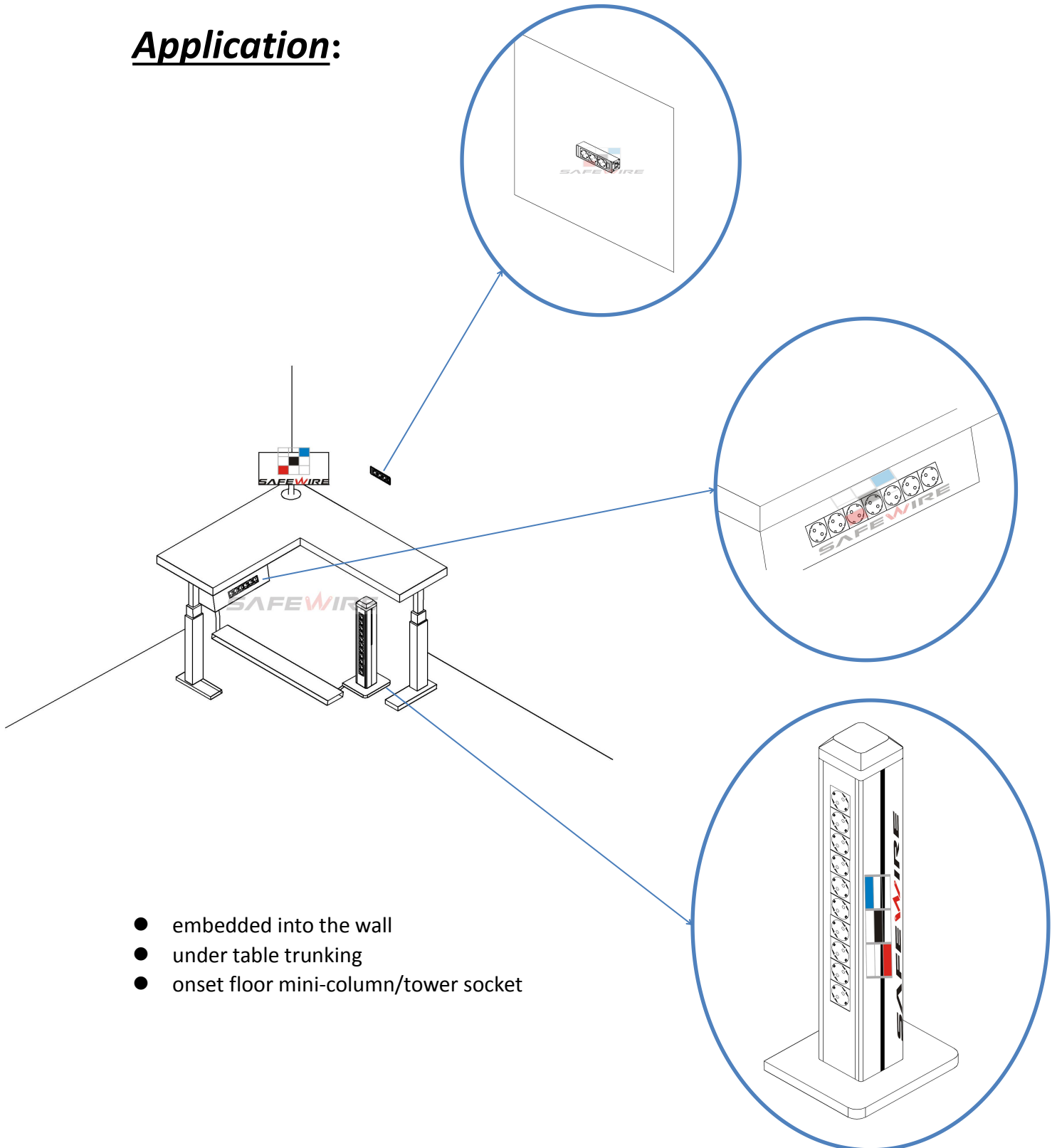
Characteristic:

Serial No.	Parameter	Description
1	Panel Material	PC 94-V0
2	Inside material	Tin phosphorous bronze
3	Surface finish	Glossy
4	Input voltage	250v/AC 50~60Hz
5	Rated current	16A
6	3 pin Withdrawal force	54N
7	2 pin Withdrawal force	2N-18N
8	Durability	≥5000
9	Color	customization
10	Number of terminals	2 screw terminals
11	Outlet	EU socket
12	IK degree of protection	IK04
13	IP degree of protection	IP21
14	Dimension of product	45*45mm

Environmental requirements

Serial No.	Parameter	Description
1	Operating temperature	-10℃~+40℃;Operating
2	humidity	20%~90% RH
3	Storage temperature	-20℃~+85℃;storage
4	humidity	10%~95% RH
5	Resistance to pressure	≥3Kv/AC 1min
6	Isolation resistance	500v DC/100MΩ

Application:



- embedded into the wall
- under table trunking
- onset floor mini-column/tower socket

Feature :

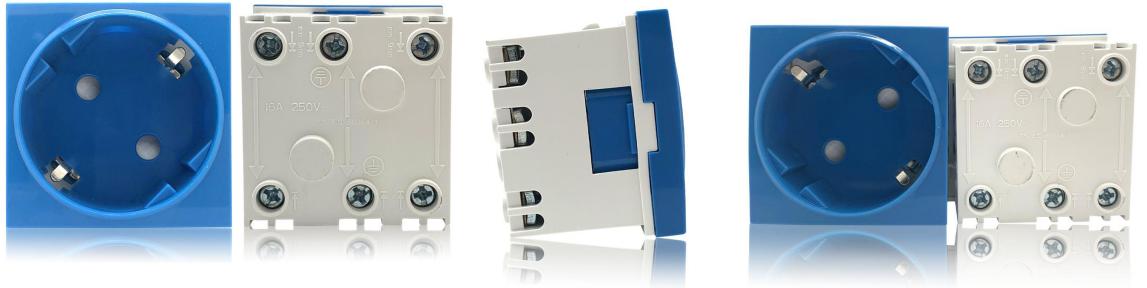
White



Green



Blue



Red



Yellow



Double



1.5...2.5mm² for stranded cable (s)

1.5...2.5mm² for flexible cable (s)

1.5...2.5mm² for rigid cable (s)



insulation resistance tester



dielectric strength tester



Current tester

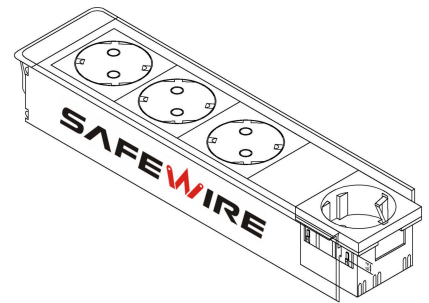
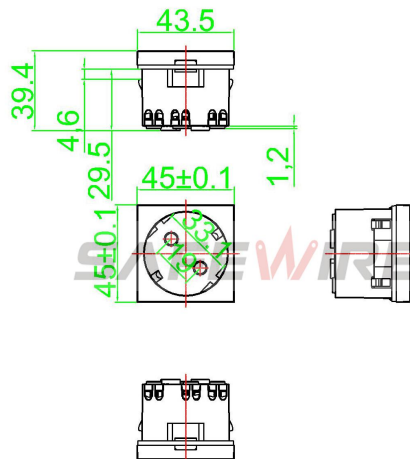
1. toolless installation
2. Single , double , triple , multi-socket using the connection block
3. With optional safety key
4. With red ,green ,white finish for UPS ,health sector or specific power supply.

Package:10 Pcs connector in poly bag separately with inner box. 10pcs inner boxes in one carton box



F15B Outline drawing:

SAFEWIRE
F15B Outline Units: mm



Installation Process

1. Insert the connection block in the contacts of the socket
2. Assembly of multi-sockets using the connection block press until the connection blocks is completely inserted in the contacts
3. Repeat the process with the next socket and then with the others



4.Safety Warning:

1. For indoor use only.
- 2.This product must be installed/wired by a qualified electrician.

5.Attentions:

- 1.Protect children from touch skirt of socket.
- 2.Ensure current and voltage as rating current/voltage .Do not overload
3. Prevent from corrosive liquid, gas (strong acid, strong alkali, paint)and humidity.