



Wenzhou Safewire Electric Co.,Ltd.

No.152 Xingguang Road, Xingguang industry zone, Liushi town, Yueqing, Wenzhou,China ,325604
Tel:0086-577-62799688; Email:info@safewirele.com;

www.safewirele.com

Wenzhou Safewire Electric CO.,Ltd.

SPECIFICATION SHEET

PRODUCT NAME: Wall switch

PRODUCT No. : XJY-USB-19B



ADD: 152 xingguang industrial zone, yueqing city, zhejiang province

(TEL) :0086-577-62799688

(E-mail) : info@safewirele.com

(WEB): <http://www.safewirele.com>



Wenzhou Safewire Electric Co.,Ltd.

No.152 Xingguang Road, Xingguang industry zone, Liushi town, Yueqing, Wenzhou,China ,325604
Tel:0086-577-62799688; Email:info@safewirele.com;

www.safewirele.com

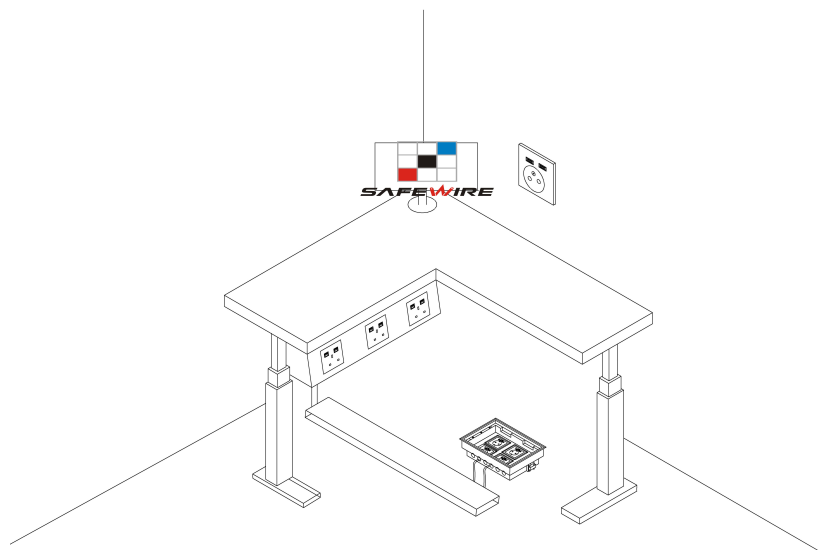
Technical parameters:

- 1.AC input parameters : 100-240V/AC 50-60HZ
- 2.Electrical output parameters : 100-240V 16A
- 3.USB output voltage : DC 5.0V
- 4.USB output current : 2.1A

Serial No.	Parameter	Description
1	Panel Material	PC
2	Surface finish	plastic surface
3	Color	White/Black
4	Panel Dimension(mm)	86*86
5	Grounding	Standard Grounding

Application:

This Wall Charger Adapter with Dual USB Outlet allows you to charge / power 2 x USB devices and one other electrical item with French Plug in one socket. It can meet charge needs of various devices such as iPad and tablet PC.2.1A Max.






Wenzhou Safewire Electric Co.,Ltd.

No.152 Xingguang Road, Xingguang industry zone, Liushi town, Yueqing, Wenzhou,China ,325604
Tel:0086-577-62799688; Email:info@safewirele.com;

www.safewirele.com

- embedded into the wall
- into desktop socket
- into floor box



CERTIFICATE
of Conformity
EC Council Directive 2014/30/EU
Electromagnetic Compatibility

Registration No.: AE 50361583 0001
Report No.: 15087115 002

Holder: Zhejiang New-epoch Communication Industry Co., Ltd.
Develop Road, Wengyang Industry Zone, Yueqing, Zhejiang 325606 P.R. China

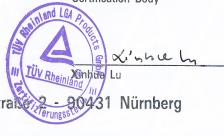
Product: Socket Outlet
(Fixed Socket-outlet with USB port)

Identification: XJY-USB-18 XJY-USB-18B XJY-USB-20 XJY-USB-20B
XJY-USB-19 XJY-USB-19B XJY-USB-21 XJY-USB-21B
Serial No.: n.a.
Remark: Refer to test report 15087115 002 for details.

Tested acc. to: EN 55032:2015
EN 55024:2010
EN 61000-3-2:2014
EN 61000-3-3:2013

This certificate of conformity is based on an evaluation of a sample of the above mentioned product. Technical Report and documentation are at the Licence Holder's disposal. This is to certify that the tested sample is in conformity with all provisions of Annex III of Council Directive 2014/30/EU. This certificate does not imply assessment of the production of the product and does not permit the use of a TÜV Rheinland mark of conformity. The holder of the certificate is authorized to use this certificate in connection with the EC declaration of conformity according to the a.m. Directive.

Certification Body



Date 24.10.2016

TÜV Rheinland LGA Products GmbH - Tillystraße 2 - 90431 Nürnberg

☐ The CE marking may only be used if all relevant and effective EC Directives are complied with. ☐

TÜV Rheinland (China) Ltd.
Member of TÜV Rheinland Group



Zhejiang New-epoch Communication Industry Co., Ltd.
Zheng Suihui
Develop Road, Wengyang Industry Zone, Yueqing, Zhejiang 325606 P.R. China

Date : 24.10.2016
Our ref. : XFA 01
Your ref.: Z.S.H

Ref : AE Certificate of Conformity EMC

Type of Equipment : Fixed Socket-outlet with USB port
Model Designation : See Certificate
Certificate No. : AE 50361583 0001
Report No. : 15087115 002

Dear Zheng Suihui,

We herewith confirm that a sample of the above mentioned technical equipment has been tested and was found to be in accordance with the relevant requirements.

Enclosed please find your Certificate of Conformity.

We appreciate your kind support and would like to offer our assistance and continuous services in the future.

With kind regards,

Certification Body

Xinhua Lu
Xinhua Lu

CC: Zhejiang New-epoch Communication

Enclosure

证书的详细资料请登陆www.certipedia.com查询,或拨打我司客服热线800 999 3668 / 400 883 1300咨询

TÜV Rheinland (China) Ltd. 莱茵检测认证服务(中国)有限公司	Unit 707, AVIC Bldg., No. 10B, Central Road, East 3rd Ring Road, Chaoyang District, Beijing, 100022, P.R.China	北京朝阳区东三环中路乙10号 艾维克大厦707室 邮编: 100022	Tel: (8610)6566 6660 Fax: (8610)6566 6667 e-mail: info@bj.chn.tuv.com Internet: http://www.chn.tuv.com
--	---	---	--



Wenzhou Safewire Electric Co.,Ltd.

No.152 Xingguang Road, Xingguang industry zone, Liushi town, Yueqing, Wenzhou,China ,325604
Tel:0086-577-62799688; Email:info@safewirele.com;

www.safewirele.com

Feature :

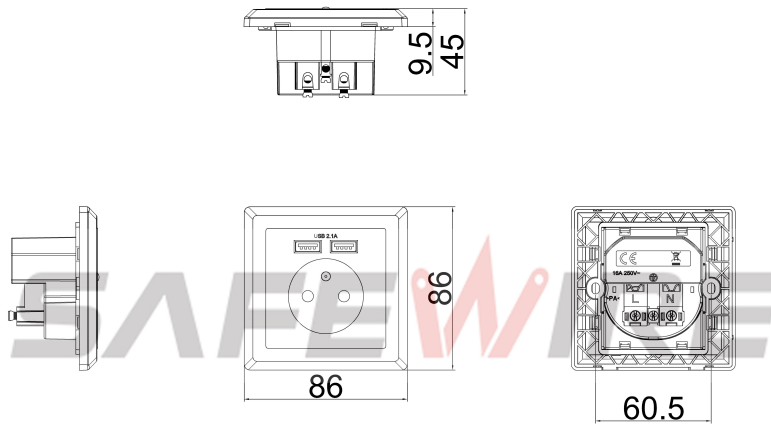


- Dual charge USB charging port: can be supplied for both 2 sets of equipment at high speed. Power supplies stable and the can be use of various types of global USB charging equipment.
- Current stabilizing protective electric appliance.
- Compatible with multiple models of apple,Android and other devices.
- Automatic distribution current, over charge protection, short circuit protection.
- MAX 5V dual 2.1A USB output power, charges really fast.

XJY-USB-19B Outline drawing:

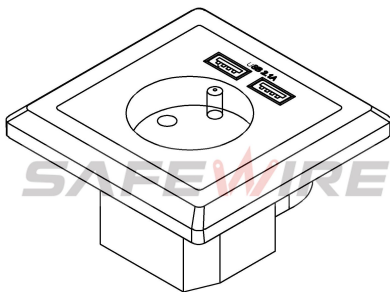
XJY-USB-19B outline

Units:mm

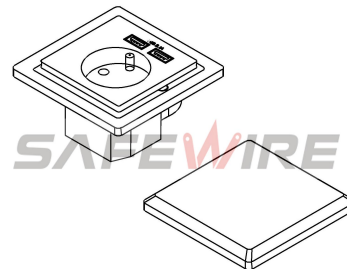


Installation Process

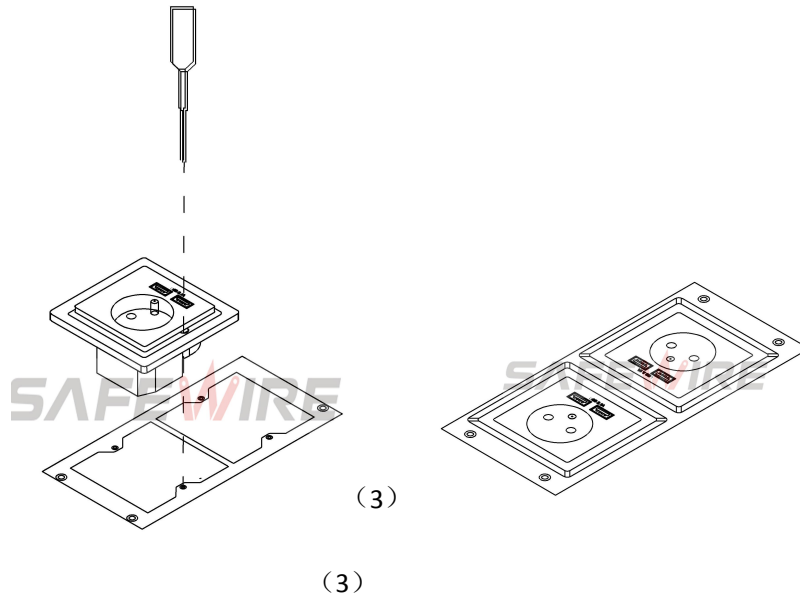
- 1.Click out face plate from 86 type USB switch.
- 2.Just point the hole of USB switch and bridge/frame slot them together.
- 3.Screw and tighten them.



(1)



(2)



4.Safety Warning:

1. This is a class I product and must be earthed.
2. For indoor use only.
- 3.This product must be installed/wired by a qualified electrician.

5.Attentions:

- 1.Protect children from touch skirt of USB port.
- 2.Ensure current and voltage as rating current/voltage .DO not overload
3. Prevent from corrosive liquid, gas (strong acid, strong alkali, paint)and humidity.