

Wenzhou Safewire Electric CO.,Ltd.

SPECIFICATION SHEET

PRODUCT NAME: **Pull Outlet Box**

PRODUCT No. : **HTD-320-86**



ADD: 152 xinguang industrial zone, yueqing city, zhejiang province

(TEL) :0086-577-62799688

(E-mail) : info@safewirele.com

(WEB): <http://www.safewirele.com>



SAFEWIRE

Wenzhou Safewire Electric Co.,Ltd.

No.152 Xingguang Road, Xingguang industry zone, Liushi town, Yueqing, Wenzhou,China ,325604

Technical parameters & characteristic :

1) Working environment:

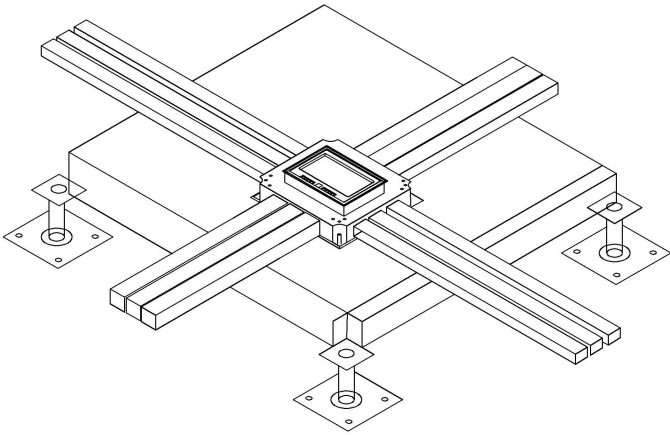
1. The environment temperature:-5°C~/40°C
2. The rated voltage : 100V~~250V
3. Rated current : 10A、 13A、 16A、 20A

2) Technical parameters :

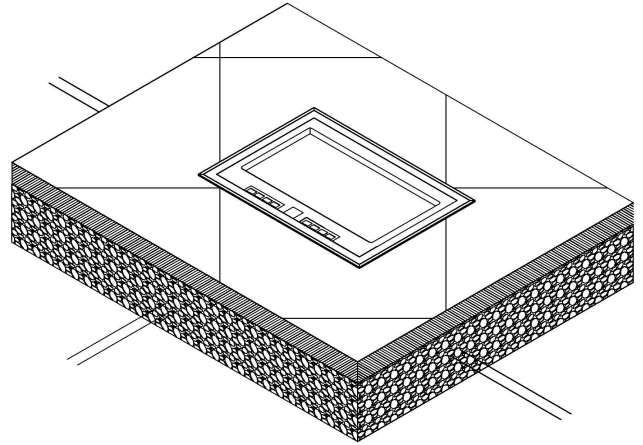
Serial No.	Parameter	Description
1	Panel Material	Brass alloy/Stainless steel
2	Surface finish	Wire drawing/Polishing/Spray painting
3	Panel Dimension(mm)	320*230
4	Cutout(mm)	302x212
5	Static pressure	1000N
6	Horizontal mounting	Horizontal installation
7	Sink box Material	Steel+Zinc plated
8	Hinged lid thickness	4MM
9	Base box dimension(mm)	300*210*103
10	Available modules	146*86/86*86panel(mm)

Application:

1) Raised floor



2) Raised floor



The raised floor to socket requirements:

- 1.Environmental protection.
- 2.Fire prevention/Corrosion resistant/high strength.
- 3.Good interchangeability with raised floors.Easy to installation.
- 4.The laying height of the floor is 35mm ~150mm

Concrete floor requirements for floor socket:

- 1、 No pollution to the environment, no harm to the human body, no toxicity.
- 2、 Easy to install and easy to use, not easy to damage

Product Show:





SAFEWIRE

Wenzhou Safewire Electric Co.,Ltd.

No.152 Xingguang Road, Xingguang industry zone, Liushi town, Yueqing, Wenzhou,China ,325604

Features:



- 1.Cable Exit is customization
- 2.Cavity depth is customization
- 3.Knock-out diameter is customization
- 4.Configuration as twins switch socket as 146*86 or switch socket as 86*86 is customization
- 5.Depth of bottom box is customization

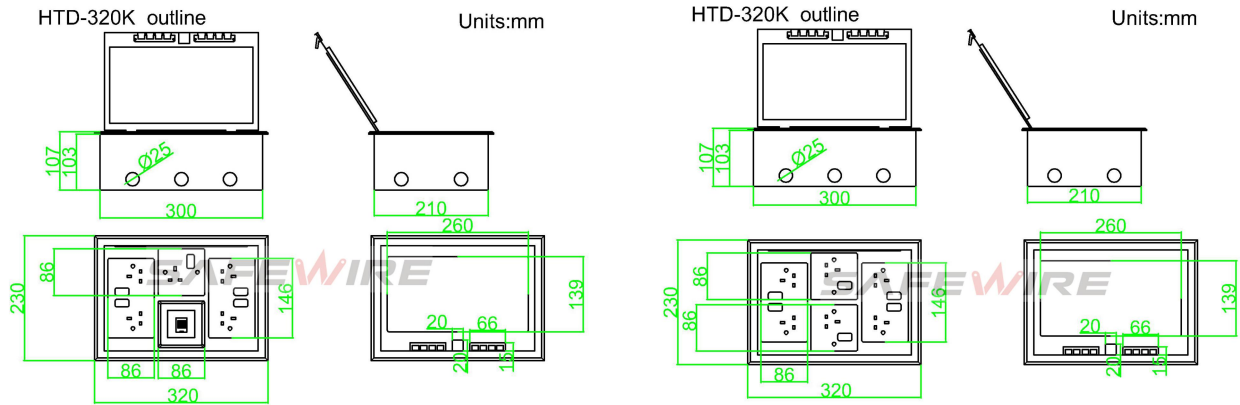


SAFEWIRE

Wenzhou Safewire Electric Co.,Ltd.

No.152 Xingguang Road, Xingguang industry zone, Liushi town, Yueqing, Wenzhou,China ,325604

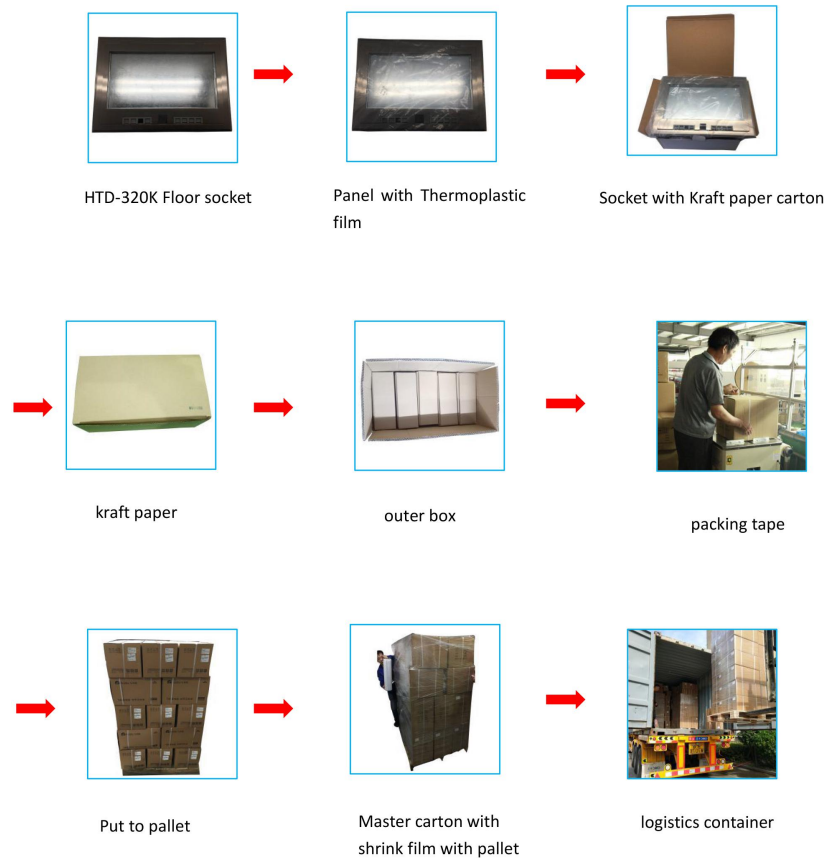
HTD-320K Outline drawing:



Package:4 Pcs inner box into a master carton.Poly bag with box packing.

SafeWire

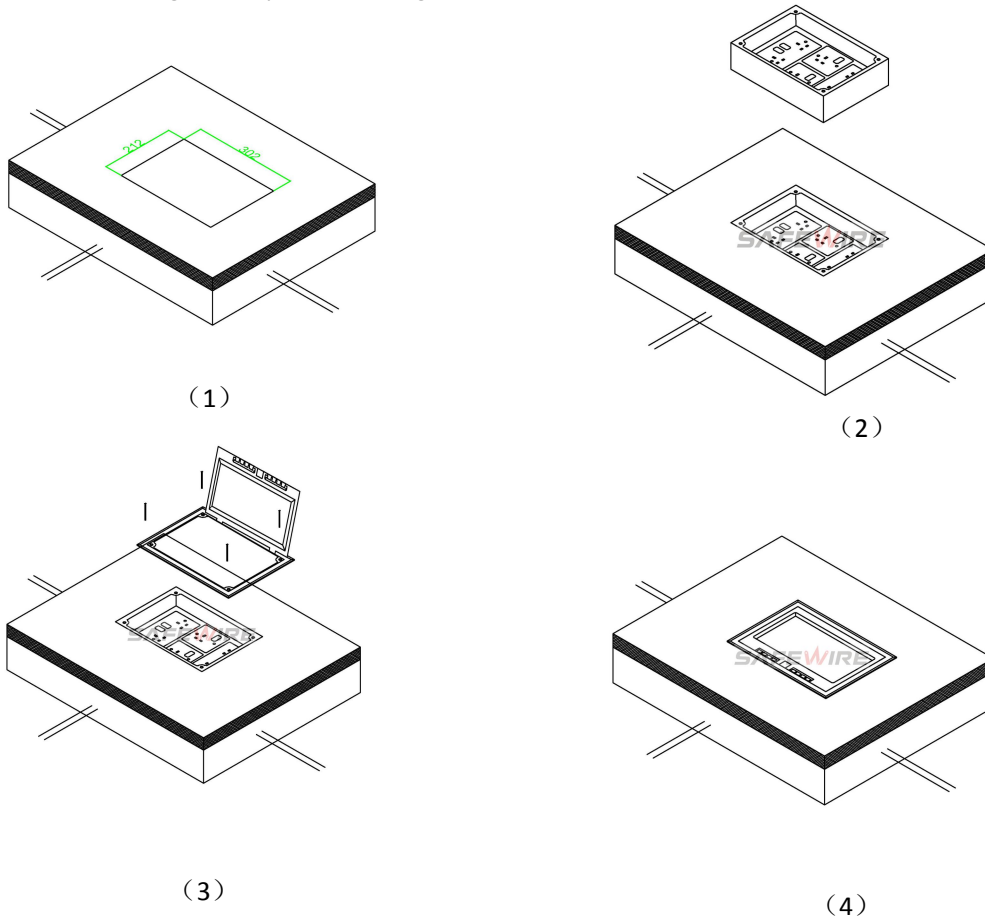
HTD-320K Package solution



www.safewirele.com

Installation instructions:

1. Cut out 302*212(mm), Powering the slurry.
2. Remove the pre-installed temporary lid,wiring and installing modules,Per-installthe cable pipe as per your request .
3. Install cover lid and tighten with screws.
4. Conceal the cut edge of carpet of flooring



Attentions:

- 1.When installing and wiring,Product should avoid direct contact with corrosive liquid, gas (strong acid, strong alkali, paint).
- 2.This product is suitable for dry surface treatment, avoid water flush and immersion, and ensure its insulation.This product is not suitable for use in wet areas.
- 3.All dimensions quotes are nominal only.Drawing images and specification are only for illustrative purposes and dimensions are subject to final confirmation by us.

Safety Warning:

- 1.This is a class I product and must be earthed
- 2.This product must be installed/wired by a qualified electrician
- 3.For indoor use only.