

Wenzhou Safewire Electric CO.,Ltd.

SPECIFICATION SHEET

PRODUCT NAME: Open coverplate

PRODUCT No. : HTD-180K



HTD-180X

ADD: 152 xinguang industrial zone, yueqing city, zhejiang province

(TEL) :0086-577-62799688

(E-mail) : info@safewirele.com

(WEB): <http://www.safewirele.com>



Technical parameters & characteristic :

1) Working environment:

1. The environment temperature:-5°C~/40°C
2. The rated voltage : 100V~~250V
3. Rated current : 10A、 13A、 16A、 20A

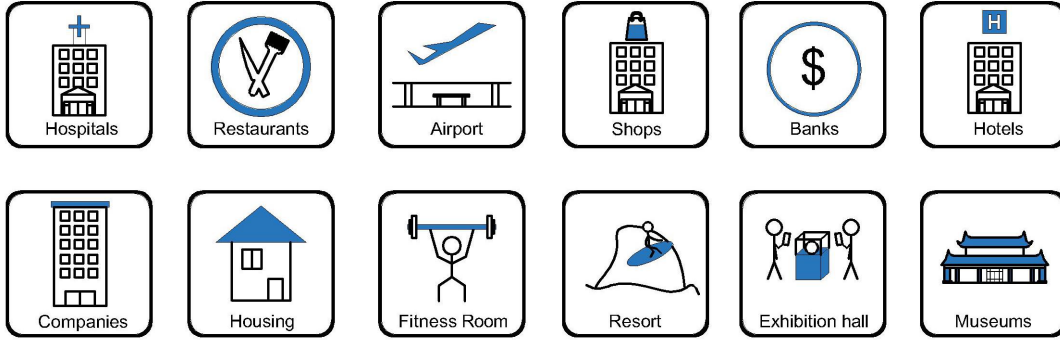
2) Characteristic:

1	Model	HTD-180K	6	HS Code	8536690000
2	Brand Name	Safewire or OEM brand	7	Market standard	Customized
3	Type	floor socket	8	Place of origin	Zhejiang , Wenzhou, China
4	Color	Golden, silver, etc	9	Frequency	50Hz~60Hz
5	Grounding	Standard grounding	10	Current Type	AC

3) Technical parameters :

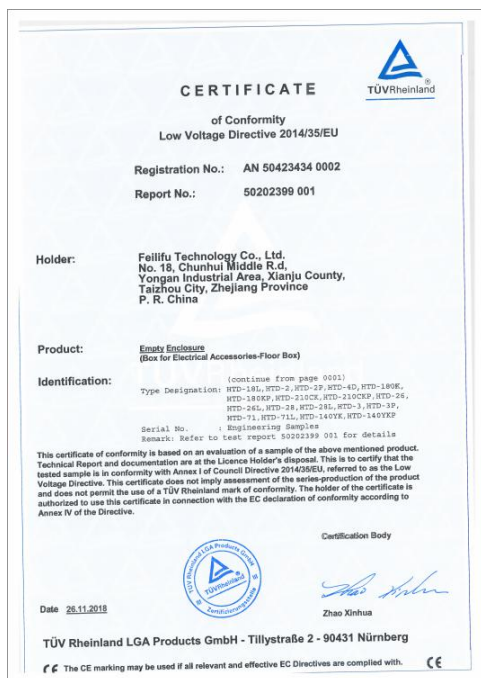
Serial No.	Parameter	Description
1	Panel Material	Brass alloy/Stainless steel
2	Surface finish	Wire drawing/Polishing/Spray painting
3	Panel Dimension(mm)	180*180
4	Cutout(mm)	175x175
5	Capacity of modules	10 ways modules
6	Mounting type	Horizontal installation
7	Bracket material	Zinc Alloy & Alu Alloy
8	Sink box Material	Steel+Zinc plated
9	Base box dimension(mm)	170*170*90
10	Available modules	45*45/45*22.5(mm)

Application:



1. This model has bevelled edges to allow the cover to conceal the cut edge of the carpet or floor covering below.
2. The solid stainless/brass steel cover is useful for installation where the flooring material is not suitable for use in a rebated cover .Two cord outlet ports fold into the box to allow cables to exit when in use.
3. Designed to feed workstations or equipment in open plan areas.Cables may be routed to a desk using an optional cable umbilical.
4. For concrete floor/alless floor

CE certificate by TUV,Germany



LVD test report

TÜVRheinland® Precisely Right.		Page 2 of 19	Report No.: 50202399 001
TEST REPORT			
Report No.:	50202399 001		
Applicant's name:	Feilifu Technology Co., Ltd.		
Applicant's address:	No. 18, Chunhui Middle Road, Yongan Industrial Zone, Xianju County, Taizhou City, Zhejiang Province, China		
Sample description:	Empty Enclosure (Box for Electrical Accessories-Floor Box)		
Model:	HTD-1, HTD-1L, HTD-101, HTD-101P, HTD-102, HTD-102P, HTD-103B2R, HTD-120K, HTD-120KP, HTD-140FK, HTD-140FKP, HTD-146K, HTD-146KP, HTD-16, HTD-16L, HTD-1602, HTD-1602L, HTD-17X, HTD-17XL, HTD-18, HTD-18L, HTD-180K, HTD-180KP, HTD-2, HTD-2P, HTD-210CK, HTD-210CKP, HTD-26, HTD-26L, HTD-28, HTD-28L, HTD-3, HTD-3P, HTD-30, HTD-30L, HTD-4D, HTD-71, HTD-71L, HTD-140YK, HTD-140YKP, FD221, FD866-T&B/H1, FD777-T/F/H1		
Date of receipt of test item:	Refer to cover page		
Test location:	Room 02, The 2nd floor No.201, GRG Technological Building, 163 Ping Yun Rd, Tianhe District, Guangzhou, China		
Test standard:	EN 60670-23:2008 in conjunction with EN 60670-1:2005		
Test date(s):	Refer to cover page		
Test result:	The test results are in compliance with the above mentioned standards.		
Date of issue:	Refer to cover page		
Other aspects:	/		
N/A			
Abbreviations:	P = passed; F = failed; N/A = not applicable		



SAFEWIRE

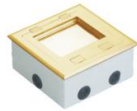
Wenzhou Safewire Electric Co.,Ltd.

No.152 Xingguang Road, Xingguang industry zone, Liushi town, Yueqing, Wenzhou,China ,325604

Product Show:



HTD-180AK



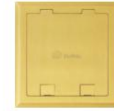
HTD-180ANK Cu-alloy



HTD-180ANKP SUS



HTD-180K



HTD-180K Cu-alloy



HTD-180NKP SUS

Features:

1. Application: Recessed stage floor box provides versatile solution to accessing power, audio and visual equipment through floor .
- 2.Lid degree against floor:90/180 degree.
- 3.Hinged lid thickness over 4~4.5m , static pressure over 1000N .
- 4.Cold-rolled Steel box thickness over 1.5~2.0mm with powder coated.

Cable Exit
Protective
Port



DK cable outlet fixing



HK cable outlet fixing

DK DK Cable Exit
Code:DK



HTD-XXX-NK/NKP

Top cover keeps parallel with floor (180°) when opening.

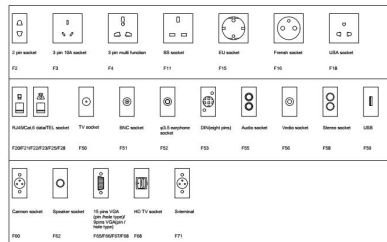
HK HK Cable Exit
Code:HK



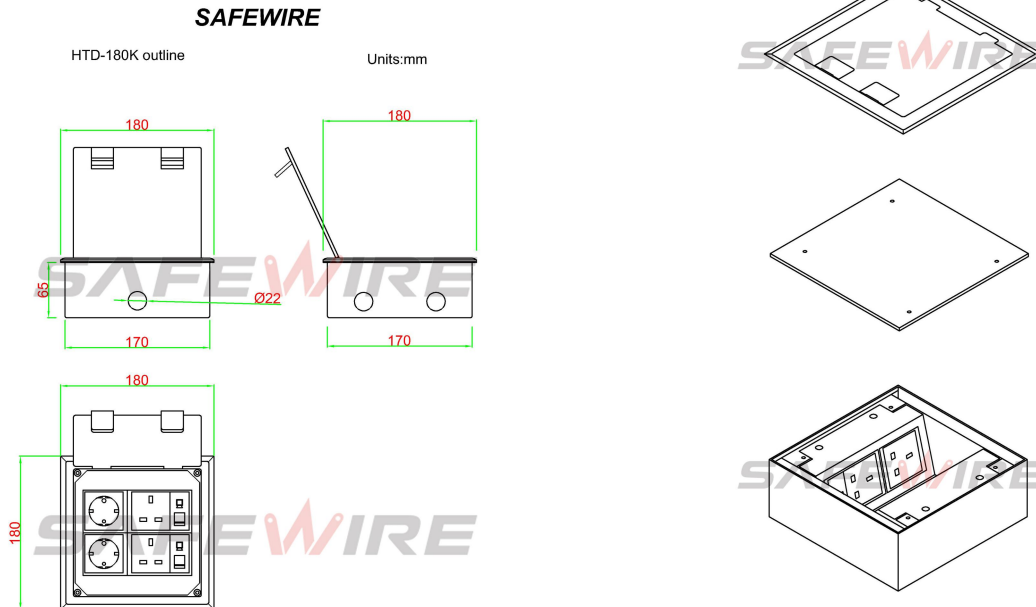
Available for F type 45*45mm type or D type 23*26mm international sockets or modules types:

SAFEWIRE

45 Type Function Accessories



HTD-180K/180AK Outline drawing :



(Image is for reference only.)

Package:4 Pcs inner box into a master carton.Poly bag with box packing.

SafeWire

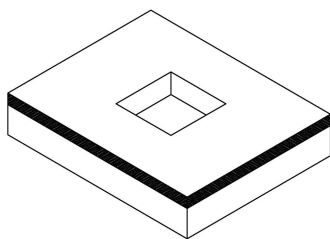
Package solution



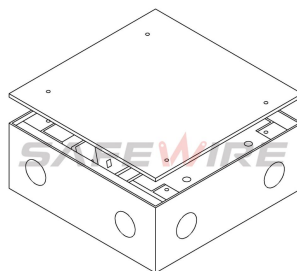
www.safewirele.com

Installation instructions:

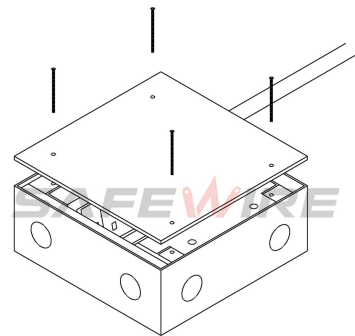
1. Cut out 173*173(mm), Powering the slurry.
2. Remove the pre-installed temporary lid,wiring and installing modules.
3. Per-installthe cable pipe as per your request .
4. Install cover lid and tighten with screws.
5. Conceal the cut edge of carpet of flooring



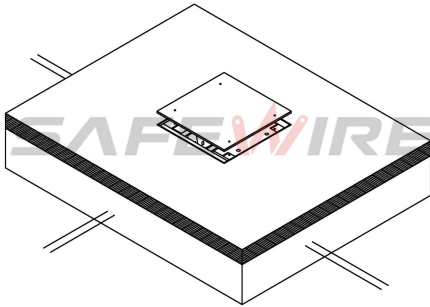
(1)



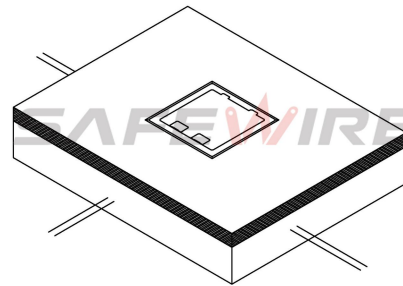
(2)



(3)



(4)



(5)

Attentions:

- 1.When installing and wiring,Product should avoid direct contact with corrosive liquid, gas (strong acid, strong alkali, paint).
- 2.This product is suitable for dry surface treatment, avoid water flush and immersion, and ensure its insulation.This product is not suitable for use in wet areas.
- 3.All dimensions quotes are nominal only.Drawing images and specification are only for illustrative purposes and dimensions are subject to final confirmation by us.

Safety Warning:

- 1.This is a class I product and must be earthed
- 2.This product must be installed/wired by a qualified electrician
- 3.For indoor use only.
- 4.For concrete access floor.