

Wenzhou Safewire Electric CO.,Ltd.

SPECIFICATION SHEET

PRODUCT NAME: Open coverplate

PRODUCT No. : HTD-102



HTD-102

ADD: 152 xinguang industrial zone, yueqing city, zhejiang province

(TEL) :0086-577-62799688

(E-mail) : info@safewirele.com

(WEB): <http://www.safewirele.com>



Technical parameters & characteristic :

1) Working environment:

1. The environment temperature:-5°C~/40°C
2. The rated voltage : 100V~~250V
3. Rated current : 10A、 13A、 16A、 20A

2) Characteristic:

1	Model	HTD-102	6	HS Code	8536690000
2	Brand Name	Safewire or OEM brand	7	Market standard	Customized
3	Type	floor socket	8	Place of origin	Zhejiang , Wenzhou, China
4	Color	Golden, silver, etc	9	Frequency	50Hz~60Hz
5	Grounding	Standard grounding	10	Current Type	AC

3) Technical parameters :

Serial No.	Parameter	Description
1	Panel Material	Brass alloy/Stainless-Steel
2	Surface finish	Wire drawing/Polishing/Spray painting
3	Panel Dimension(mm)	147*102
4	Cutout(mm)	140x82
5	Capacity of modules	4 ways modules
6	Sink box Material	Steel+Zinc plated
7	Sink box Thickness	1.0mm
8	Inner box Size(mm)	15.5x11.2x6.6
9	Outer box Size(mm)	36x33.5x35
10	Available modules	45*45/45*22.5(mm)
11	N.W(kg)	0.68 (Brass alloy);0.67(Alu alloy)
12	G.W(kg)	21.3 (Brass alloy);21.0(Alu alloy)
13	Carton size(cm)	36x33.5x35

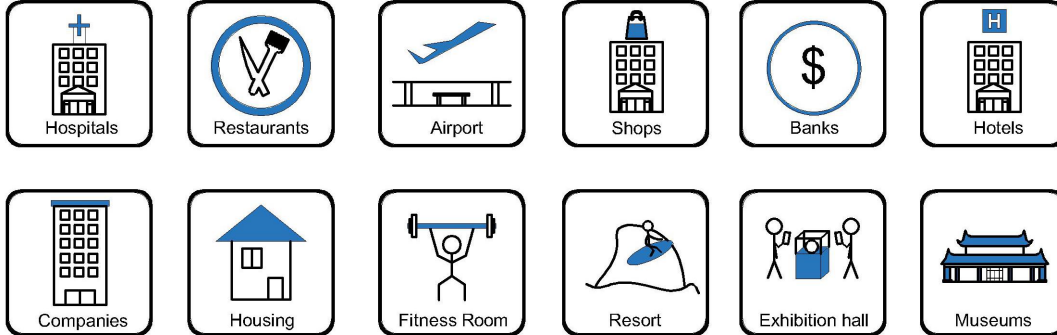


SAFEWIRE

Wenzhou Safewire Electric Co.,Ltd.

No.152 Xingguang Road, Xingguang industry zone, Liushi town, Yueqing, Wenzhou,China ,325604

Application:

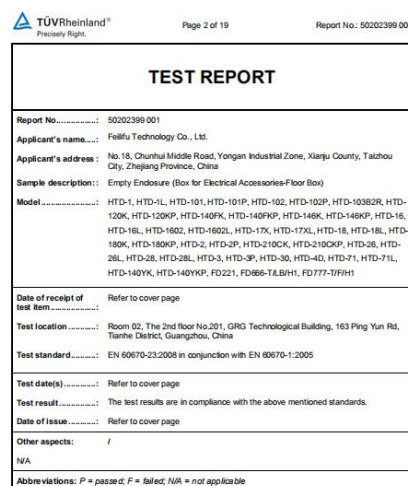


- Office and education
- Industry and Engineering
- Presentation and retail;
- Orientation and safety;
- Transit areas and parking;
- Hotels, hospitality and wellness;
- Health, sport and leisure;
- Art and culture;

CE certificate by TUV,Germany



LVD test report





SAFEWIRE

Wenzhou Safewire Electric Co.,Ltd.

No.152 Xingguang Road, Xingguang industry zone, Liushi town, Yueqing, Wenzhou,China ,325604

Product Show:



Brass color



Silver color



Bottom box

Features:

1. More Strong Scratch Resistance from Brass/Stainless.
2. Ultra slim panel < 4mm.
3. Standard 86*86 type for flush mounting bottom box

Available for F type 45*45mm type or D type 23*26mm international sockets or modules types:

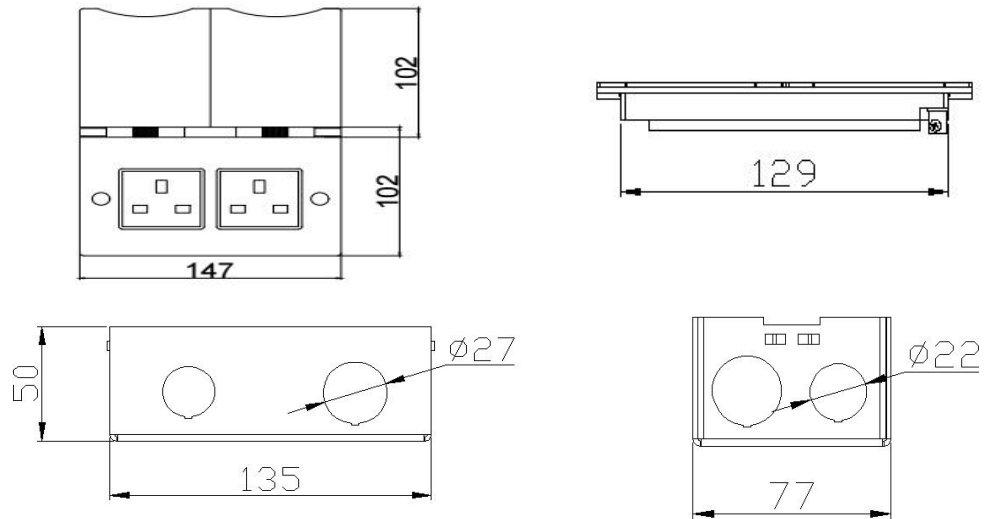
SAFEWIRE

45 Type Function Accessories

F2	F3	F4	F11	F15	F16	F18			
F19	F20	F21	F22	F23	F25	F26	F28	F29	
F30	F32	F33	F34	F35				F31	

HTD-102 Outline drawing:

Unit: mm

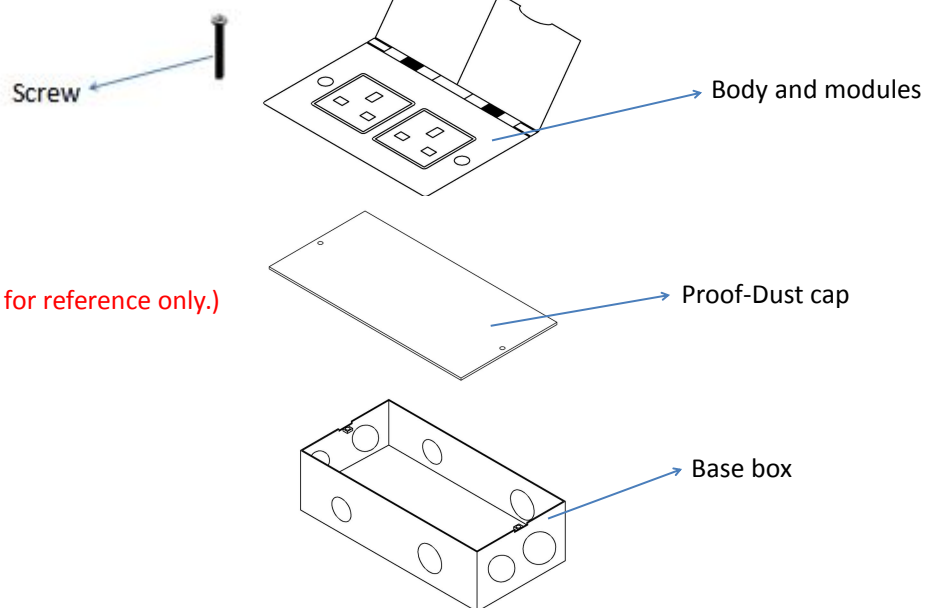
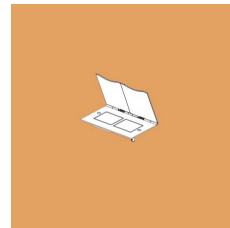
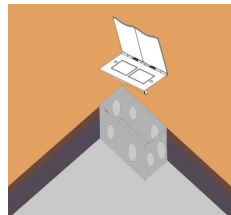
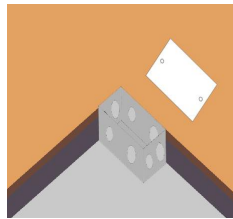


Package:30 Pcs inner box into a master carton.Poly bag with box packing.



Installation Guide (The exact products should be subject to confirmation by seller)

1. Cut out: insert sink box or floor box into flooring material
2. Dispose receptacle:Gently press the outlet and lift the lid to reveal the function keys inside.(Another way is to open the lid directly to expose the functional module).
3. Wiring: Insert the 10--12mm lead head into the terminal block.
4. Fix:Fix the flooring with spare screws on bottom box through embedded hole.



Attentions:

- 1.Dispose of trash in bottom box and prevent dirt and debris from entering inside.
- 2.When installing, pay attention to the opening direction,the length of the conductor to the bottom box shall not exceed 10cm,Set aside at least 200mm of cable.
- 3.When installing and wiring,avoid direct contact with corrosive liquid, gas (strong acid, strong alkali, paint).

Safety Warning:

- 1.This is a class I product and must be earthed
- 2.This product must be installed/wired by a qualified electrician
- 3.For indoor use only.
- 4.For concrete floor.