

Wenzhou Safewire Electric CO., Ltd.

SPECIFICATION SHEET

PRODUCT NAME: Desktop socket

PRODUCT No. : FZ-561

ADD: 152 xinguang industrial zone, yueqing city, zhejiang province

(TEL) :0086-577-62799688

(E-mail): info@safewirele.com

(WEB): <http://www.safewirele.com>

Product image/picture



Model: FZ-561

Brand Name : Safewire or OEM brand

Place of origin : Zhejiang ,Wenzhou,China

Rated Current :10-25A

Type: desktop socket

Current Type: AC

HS Code: 8536690000

Frequency:50Hz~60Hz

Grounding: Standard grounding

Color :Black/Siver

Market standard: Customized

Serial No.	Parameter	Description
1	Panel Material	Aluminum alloy+PC
2	Panel Dimension(mm)	405*110*103
3	Capacity of modules /Interface size	10 ways 45*45mm modules
4	Cable length	1 M cord withschuko standard plug; This configurations and length of wire is customization
5	Electrical rating	220V/50HZ or 120V/60HZ

Package: Poly bag into white brown box packing



Application:

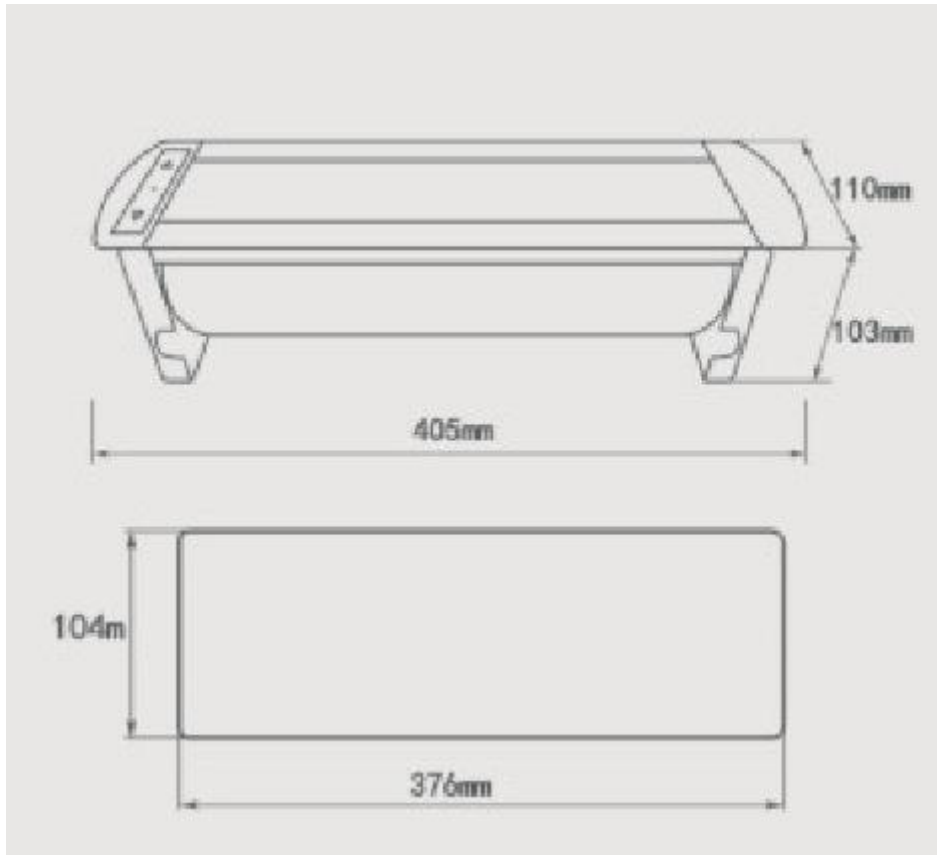


- Office and education
- Industry and Engineering
- Presentation and retail;
- Orientation and safety;
- Transit areas and parking;
- Hotels, hospitality and wellness;
- Health, sport and leisure;
- Art and culture;

Features:

- 1)Application to furniture, conference tables,workstations, hotel room, healthcare settings, training and educational applications
- 2)In the closed position, the socket is flush with furniture and prevent accidental spillage of fluids into electrical socket/outlets;
- 3)Have photoelectric lock of detector and emitter that prevents the sockets from closing when anything is plugged into unit.
- 4) The socket will rotate to the open position automatically so that facilitate installation of the unit;

FS-256 Outline drawing:



Available sockets or modules types:

SAFEWIRE

45 Type Function Accessories

2 pin socket	3 pin 10A socket	3 pin multi function	BS socket	EU socket	French socket	USA socket		
F2	F3	F4	F11	F15	F16	F18		
RJ45/Cat.6 data/TEL socket	TV socket	BNC socket	ø3.5 earphone socket	DIN(right pins)	Audio socket	Video socket	Stereo socket	USB
F20/F21/F22/F23/F25/F28	F50	F51	F52	F53	F55	F56	F58	F59
Canon socket	Speaker socket	15 pins VGA (pin hole type) (pin VGA) (pin hole type)	HD TV socket	S-terminal				
F60	F62	F65/F66/F67/F68	F68	F71				