



Wenzhou Safewire Electric Co.,Ltd.
No.152 Xingguang Road, Xingguang industry zone, Liushi town, Yueqing, Wenzhou,China ,325604

Wenzhou Safewire Electric CO.,Ltd.

SPECIFICATION SHEET

PRODUCT NAME: Pop up floor socket

PRODUCT No. : FD-221



ADD: 152 xinguang industrial zone, yueqing city, zhejiang province

(TEL) :0086-577-62799688

(E-mail) : info@safewirele.com

(WEB): <http://www.safewirele.com>



Technical parameters & characteristic :

1) Working environment:

1. The environment temperature:-5°C~/40°C
2. The rated voltage : 100V~~250V
3. Rated current : 10A、 13A、 16A、 20A

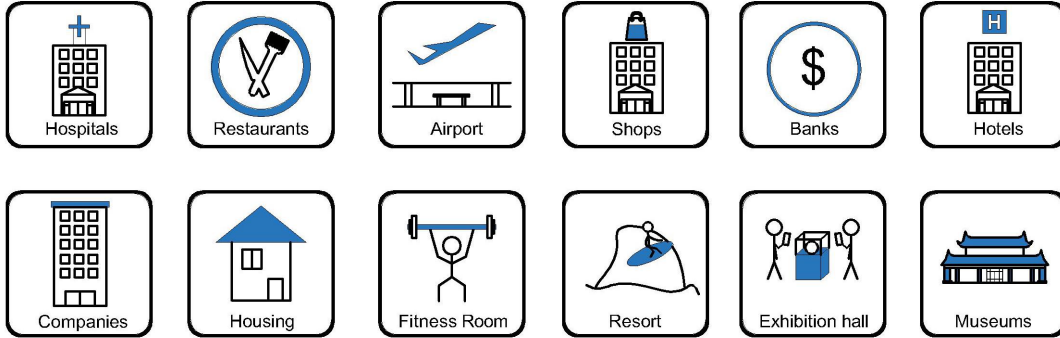
2) Characteristic:

1	Model	HTD-221	6	HS Code	8536690000
2	Brand Name	Safewire or OEM brand	7	Market standard	Customized
3	Type	floor socket	8	Place of origin	Zhejiang , Wenzhou, China
4	Color	Golden, silver	9	Frequency	50Hz~60Hz
5	Grounding	Standard grounding	10	Current Type	AC

3) Technical parameters :

Serial No.	Parameter	Description
1	Panel Material	Brass alloy
2	Surface finish	Wire drawing/Polishing/Spray painting
3	Panel Dimension(mm)	120*120
4	Cutout(mm)	105x105
5	Capacity of modules /Interface size	3 ways modules
6	Bracket material	Zinc Alloy & Alu Alloy
7	Sink box Material	Steel+Zinc plated
8	Sink box Thickness:	1.2mm
9	Available modules:	45*45mm or 45*22.5mm
10	Damping device (DP):	Normal Pop-up & Soft Pop-up available

Application:



- Office and education
- Industry and Engineering
- Presentation and retail;
- Orientation and safety;
- Transit areas and parking;
- Hotels, hospitality and wellness;
- Health, sport and leisure;
- Art and culture;

CE certificate by TUV,Germany



LVD test report

TEST REPORT	
Report No.:	50202399 001
Applicant's name:	Feilifu Technology Co., Ltd.
Applicant's address:	No. 18, Chunhui Middle Road, Yongnan Industrial Zone, Xianju County, Taizhou City, Zhejiang Province, China
Sample description:	Empty Enclosure (Box for Electrical Accessories-Floor Box)
Model:	HTD-1, HTD-1L, HTD-101, HTD-101P, HTD-102, HTD-102P, HTD-103B2R, HTD-120K, HTD-120KP, HTD-140FK, HTD-140FKP, HTD-146K, HTD-146KP, HTD-16, HTD-16L, HTD-1602, HTD-1602L, HTD-17X, HTD-17XL, HTD-18, HTD-18L, HTD-180K, HTD-180KP, HTD-2, HTD-2P, HTD-210CK, HTD-210CKP, HTD-28, HTD-28L, HTD-28, HTD-28L, HTD-3, HTD-3P, HTD-30, HTD-40, HTD-71, HTD-71L, HTD-140YK, HTD-140YKP, FD221, FD466-TL, BH1, FD777-TFFH1
Date of receipt of test item:	Refer to cover page
Test location:	Room 62, The 2nd floor No.201, GRG Technological Building, 163 Ping Yun Rd, Taishan District, Guangzhou, China
Test standard:	EN 60670-23:2008 in conjunction with EN 60670-1:2005
Test date(s):	Refer to cover page
Test result:	The test results are in compliance with the above mentioned standards.
Date of issue:	Refer to cover page
Other aspects:	/
N/A	
Abbreviations: P = passed; F = failed; N/A = not applicable	

Product Show:



Brass color

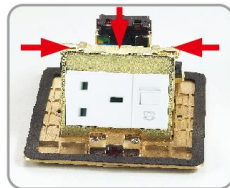
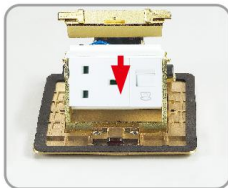


Bottom box

Features:

1. Ultrathin plate: < 5mm.
2. Reliable press button: > 5000 times.
3. Fast-wiring: more terminal block for 1~2.5m² rigid wire or 0.5~6m² prepared flexible wire.

1.Easy-Installation



3.Safety Damping Device



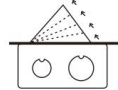
Pop-up Slowly



More Safety



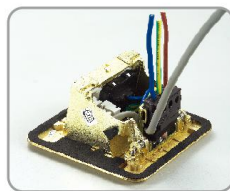
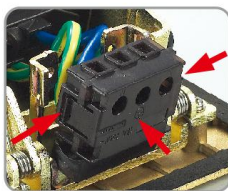
Soft Pop-up
Code:ZN



10 times

The opening speed of which is 10 times slower than regular products.

2.Fast-Wiring



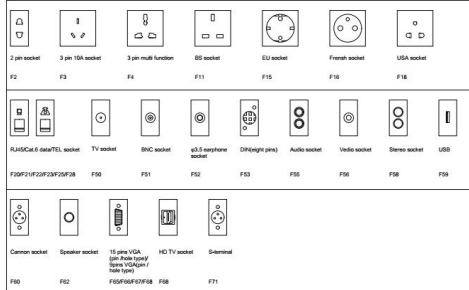
4.Heavy Material Box



Available for 45*45mm type international sockets or modules types:

SAFEWIRE

45 Type Function Accessories

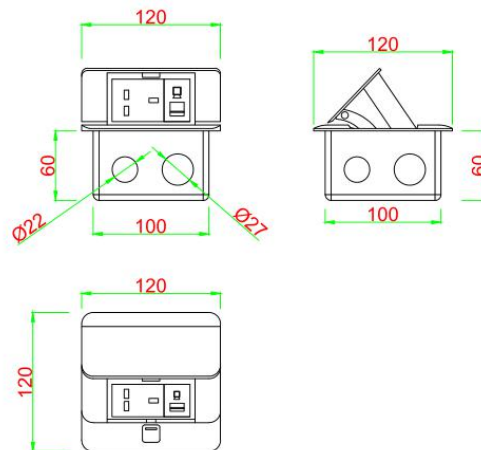


FD-221 Outline drawing:

SAFEWIRE

FD-221 outline

Units: mm

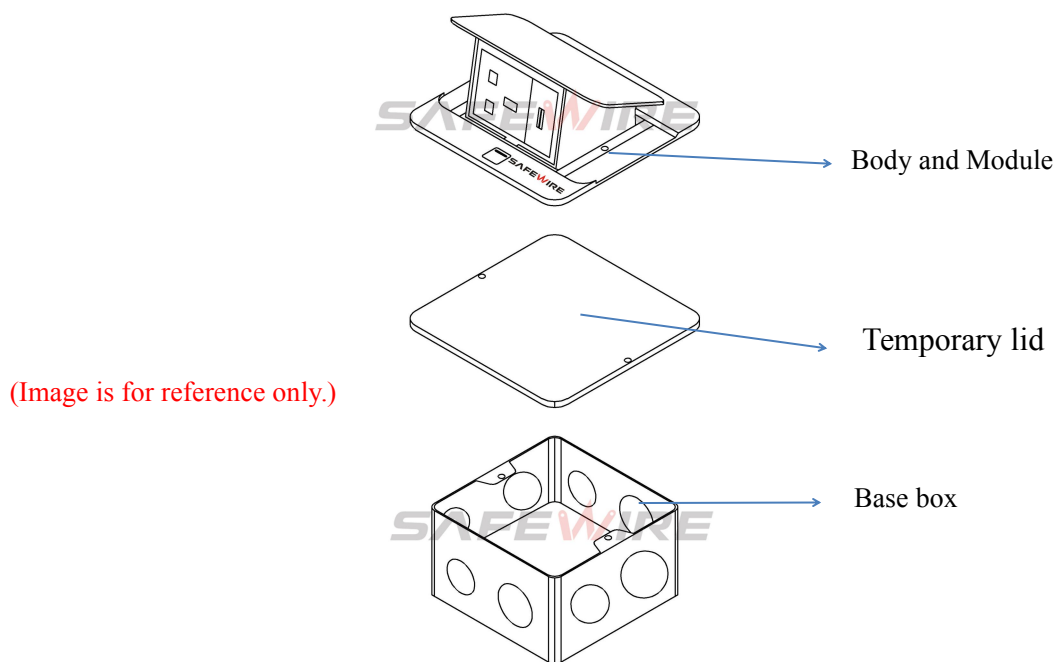


Package:20 Pcs inner box into a master carton.Poly bag with box packing.



Installation Guide

- 1.Swing out from its floor mounted frame thru a spring attached finger level. Outlet bracket is attached to its pop up cover .
- 2.Remove panel from the bottom box along with the electrical modules.
- 3.Remove lid surface ,Insert the 10--12mm lead head into the terminal of floor box.
- 4.Fix the flooring with spare screws on bottom box and place it in embedded hole



Attentions:

- 1.Dispose of trash in bottom box and prevent dirt and debris from entering inside.
- 2.Prevent from corrosive liquid, gas (strong acid, strong alkali, paint)and humidity.
- 3.When installing, pay attention to the opening direction,the length of the conductor to the bottom box shall not exceed 10cm,Set aside at least 200mm of cable.
4. All dimension quoted are nominal only. Drawings , images and text are for illustrative purposes only and product details and dimension are subject to change without notice.

Safety Warning:

- 1.This is a class I product and must be earthed
- 2.This product must be installed/wired by a qualified electrician
- 3.For indoor use only.
- 4.For concrete floor.