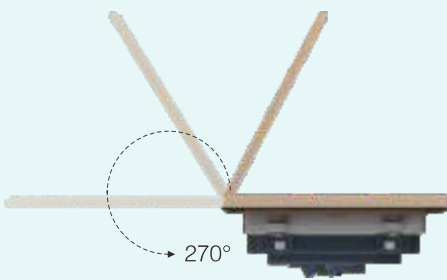


Flip Up Socket Series



HTD-101



HTD-102

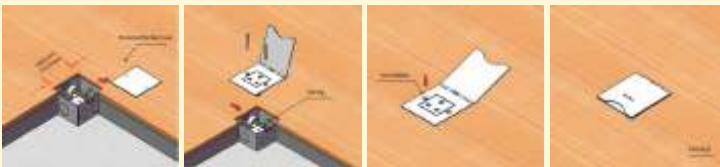


HTD-103

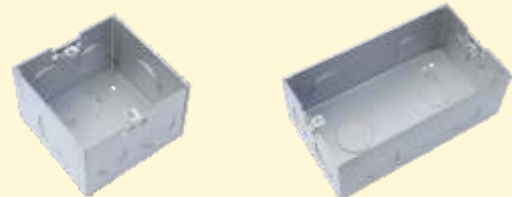


FD-777

Installation



Bottom Box



More Protection

Polish material protect from oil and water



Say No



Oil



Water



Desktop Socket

FUS Series
Floor Socket

Switch

Accessories



HTD-101/101P FUS Series: 1 Gang single flap up socket

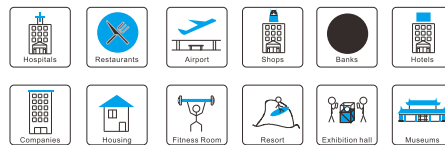
Features:

1. More Strong Scratch Resistance from Brass/Stainless.
2. Ultra slim panel < 4mm.
3. Standard 86*86 type for flush mounting bottom box.

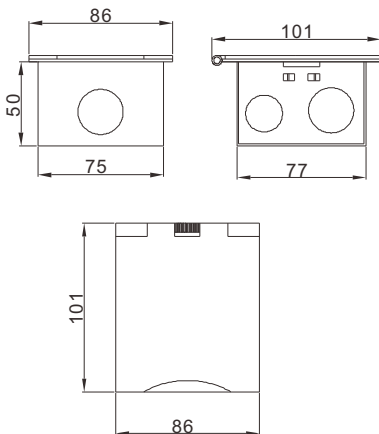
Technical Parameters :

Parameter	Description
Panel Material	Brass alloy(H62)/Stainless steel(304)
Panel Dimension(mm)	81*102
Cutout(mm)	80*82
Capacity of modules /	2 ways modules
Interface size	

- Brass
 Alu alloy
 Stainless

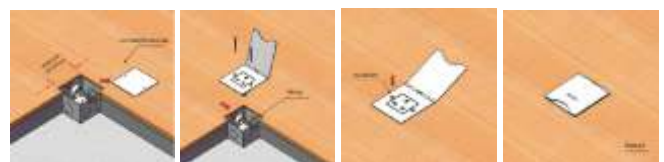


Outline Drawing: Unit:mm



Installation Guide

1. Cut out: insert sink box or floor box into flooring material
2. Dispose receptacle: Gently press the outlet and lift the lid to reveal the module inside. (Another way is to open the lid directly to expose the functional module).
3. Wiring: Insert the 10--12mm lead head into the terminal block.
4. Fix: Fix the flooring with spare screws on bottom box through embedded hole.



(Image is for reference only.)

Package:50 Pcs inner box into a master carton.Poly bag with box packing.



Desktop Socket

FUS Series
Floor Socket

Switch

Accessories

HTD-102/102P FUS Series: 2 Gang Duplex flap up socket

Features:

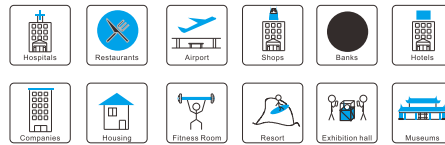
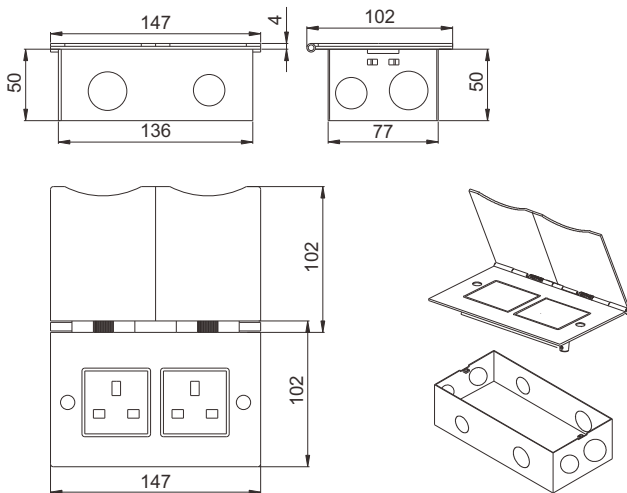
1. More Strong Scratch Resistance from Brass/Stainless.
2. Ultra slim panel < 4mm.
3. Standard 86*86 type for flush mounting bottom box.

Technical Parameters :

Parameter	Description
Panel Material	Brass alloy(H62)/Stainless steel(304)
Panel Dimension(mm)	147*102
Cutout(mm)	140*82
Capacity of modules /	4 ways modules
Interface size	

Brass
 Alu alloy
 Stainless

Outline Drawing: Unit:mm



Installation Guide

1. Cut out: insert sink box or floor box into flooring material
2. Dispose receptacle: Gently press the outlet and lift the lid to reveal the function keys inside. (Another way is to open the lid directly to expose the functional module).
3. Wiring: Insert the 10--12mm lead head into the terminal block.
4. Fix: Fix the flooring with spare screws on bottom box through embedded hole.



(Image is for reference only.)

Package: 30 Pcs inner box into a master carton. Poly bag with box packing.

Desktop Socket



FUS Series Floor Socket

HTD-103 FUS Series: 3 ways polish flip up socket

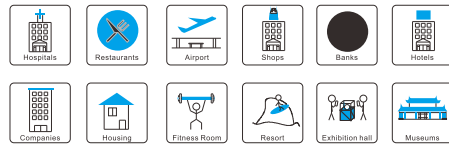
Features:

1. Well-polished nano technology material with protect from oil and water splash entry into insert of socket. Adapt for wall installation in Kitchen cabinet or wall of hotel & villa.
2. Coverplate open degree over 270 degree rotating.
3. Standard 86*86 type for flush mounting bottom box.

Technical Parameters :

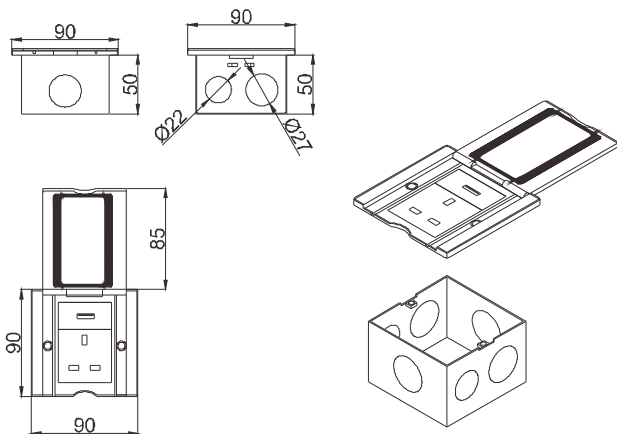
Parameter	Description
Panel Material	Zinc alloy
Panel Dimension(mm)	90*90
Cutout(mm)	80*82
Capacity of modules	3 ways modules

Switch



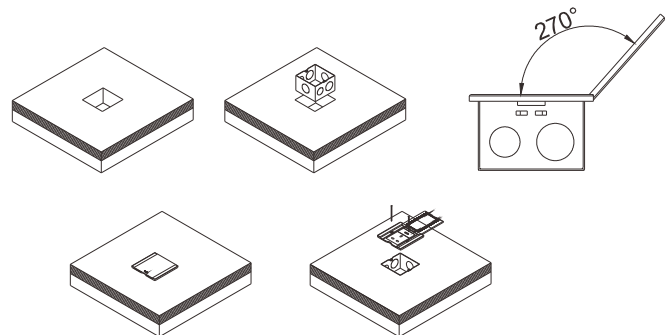
Accessories

Outline Drawing: Unit:mm



Installation Guide

1. Floor box
2. Steel armored conduit
3. Casting screed
4. Heavy current/Data systems.
5. Connecting and earthing
6. Single outlet
7. Levelling to floor



(Image is for reference only.)

Package:50 Pcs inner box into a master carton.Poly bag with box packing.



IP55



Desktop Socket

FUS Series Floor Socket

Switch

Accessories

FD-777 FUSseries:IP55 socket

Features:

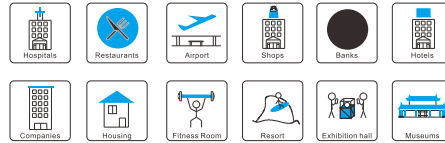
1. Protect stumbling: Flush mounting on floor and protect children stumbling .
2. **IP55** : Connected with power supply over IP 55 level.
3. Rotating modules mechanism: more plug top clearance. Furthermore, enhance lifetime receptacle .
4. Soft silica seal cable exit: Protect cable exit from scratching from cover plate of floor boxes.

Technical Parameters :

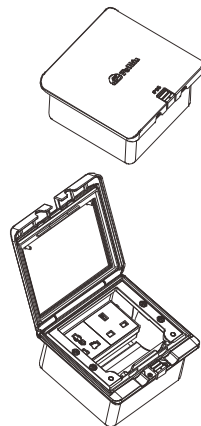
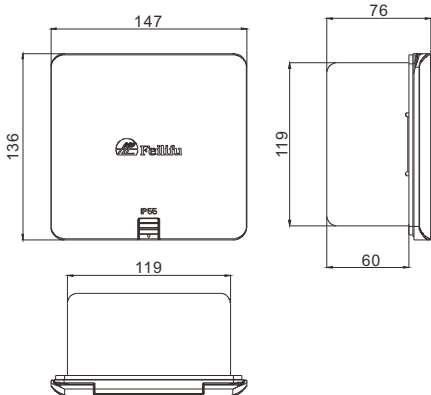
Parameter	Description
Panel Material	Brass alloy etc
Available modules	Type 45*45mm series
Panel Dimension(mm)	143*136
Cutout(mm)	
Capacity of modules /	124*124
Interface size	4 ways modules
IP Rating	IP Rated 55
Static Pressure force	Over 1000N



Test Report			
1.1 Test Conditions			
IP55	Use the Test Fixture as per the test opening, with the force of 10N.		
IP55	For the receptacle the test top with each cable (max. length of 100mm) is held flat, but for 30sec.		
IP55	Internal diameter of the nozzle is 3mm.		
IP55	Pressure is 10 bar.		
IP55	Distance from nozzle to enclosure surface is 30mm.		
1.2 Acceptance Criteria			
IP55	1. The Test Fixture cannot enter into the interior of the socket.		
IP55	2. There is no leakage current in the socket.		
IP55	3. The receptacle must operate in a normal manner at ambient or higher values, but not at maximum.		
IP55	4. Any water has entered, it shall not		
Use sufficient to ensure the correct operation of the equipment or higher safety.			
- based on standard parts where a sound test is tracking along the coverage distance.			
- must be done or otherwise not designed to operate when used.			
- accordance with the label and / or the label data.			
1.3 Test Results			
Order No.	Test Series	Test Results	Verdict
0212040102/1,1	IP55	There is no leakage current at the socket.	Pass
0212040102/1,1	IP55	There is no water entered into the interior of the socket.	Pass



Outline Drawing: Unit:mm



IP55



(Image is for reference only.)

Package: 12 Pcs inner box into a master carton. Poly bag with box packing.