

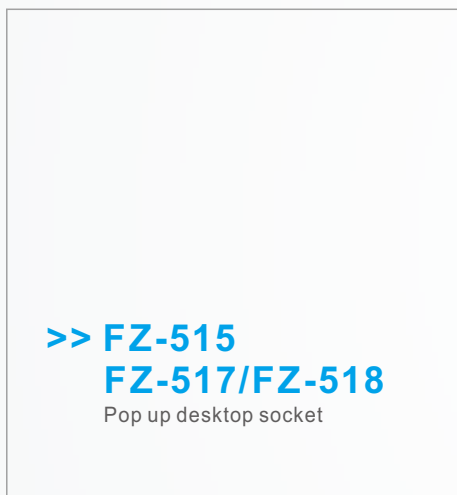
Office Furniture Socket OPDU/Table Modular



>> **FZ-501/FZ-536/FZ/PFB01**
Embedded desktop socket



>> **FZ-561**
Rotated hidden socket



>> **FZ-515**
FZ-517/FZ-518
Pop up desktop socket



>> **FZ-521-WF/FZ-5101** Wireless charger desktop socket

>> **FZ-520**
FZ-526
FZ-527

Vertical aluminum liftable up socket
IP54 Vertical pop up socket with brass
Stainless coverplate



>> **FZ-507**
FZ-508
FZ-TB-B

Screen Mounting PDU
Screen clamped PDU
Table clamped PDU



>> **FZ-522/FZ-525/FZ-528** Flush-mounting single flap lid /duplex flap lid desk socket

STS Series Desktop Socket



Floor Socket

Switch

Accessories

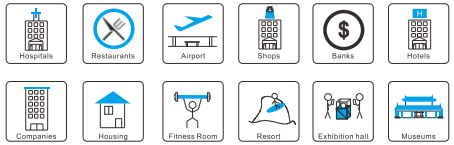
FZ-517-B/S/W STS Series: Pop up desktop socket

Features:

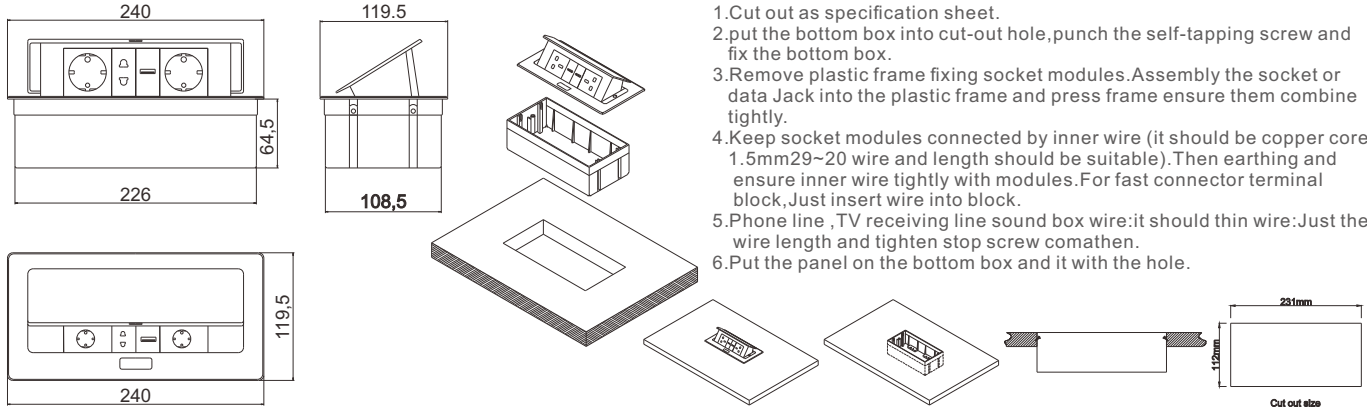
1. Complete coverplate with round corner shape by CNC: no worry about die-cut when DIY.
2. With 2*damping device, press button and pop up with slow speed;
3. Easy Installation: only screw bottom box and with fast wiring terminal block, no need additional hank accessories, save labor cost.
4. Replacement modules mechanism: Coverplate is separate with bottom box, it is easy to replace modules after installation into table.
5. Fire-retardant PC plastic bottom box: In accordance with UL94 standard.
6. More optional color :Black/white/silver or other customization color.

Technical Parameters :

Parameter	Description
Panel Material	Aluminum alloy(6061)
Panel Dimension(mm)	240x120
Cutout(mm)	230x112
Bottom box size(mm)	229*110*70
Bottom box material	Fire-retardant PC plastic
Capacity of modules /	6 ways 45*45mm modules
Interface size	
Cable length	1.5m, 2m,2m or required length
IP Rating	IP Rated 22
Color	Black Color:RAL9005 White Color:RAL9016 Silver Color:RAL9006



Outline Drawing: Unit:mm



(Image is for reference only.)

Package: 12 Pcs inner box into a master carton. Poly bag with box packing.

Installation Guide

1. Cut out as specification sheet.
2. put the bottom box into cut-out hole, punch the self-tapping screw and fix the bottom box.
3. Remove plastic frame fixing socket modules. Assembly the socket or data Jack into the plastic frame and press frame ensure them combine tightly.
4. Keep socket modules connected by inner wire (it should be copper core 1.5mm29~20 wire and length should be suitable). Then earthing and ensure inner wire tightly with modules. For fast connector terminal block, Just insert wire into block.
5. Phone line , TV receiving line sound box wire: it should thin wire: Just the wire length and tighten stop screw comathen.
6. Put the panel on the bottom box and it with the hole.



STS Series
Desktop Socket

Floor Socket

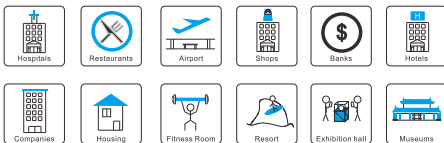
Switch

Accessories

FZ-515 STS Series: Pop up meeting socket

Features:

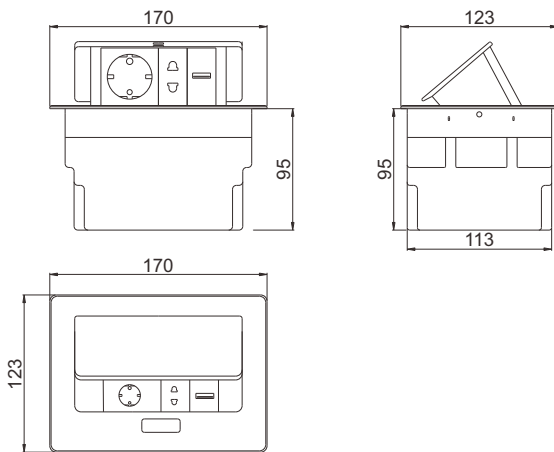
1. Applicable: Podiums, office desk, conference room desktop
2. With damping device;
3. Screws with complete plastic bottom box, more easy to installation;
4. The panel is by aluminum alloy of intergrate diacasting structure, more reliable surface protect from scratch ;
5. Silver or black painting finish of optional surface .



Technical Parameters :

Parameter	Description
Panel Material	Aluminum alloy(6061)
Panel Dimension(mm)	170*123
Cutout(mm)	147*114
Height of product(mm)	95
Bottom box size(mm)	146*113*95
Bottom box material	Fire-retardant plastic
Capacity of modules / Interface size	4 ways 45*45mm modules
Configuration	Power outlet+Data outlet or USB charging : Customized as required
Cable length	1.5m, 2m,2m or required length
IP Rating	IP Rated 22

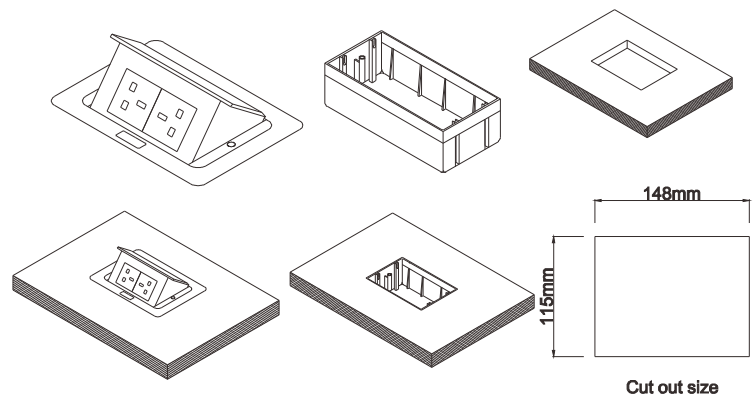
Outline Drawing: Unit:mm



(Image is for reference only.)

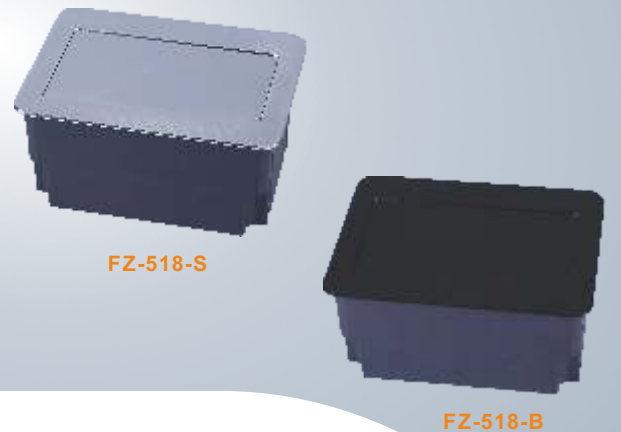
Package: 12 Pcs inner box into a master carton. Poly bag with box packing.

Installation Guide



Cut out size

STS Series
Desktop Socket



Floor Socket

Switch

Accessories

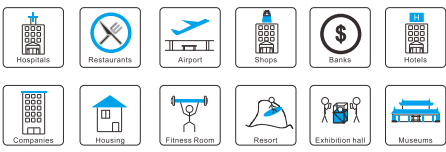
FZ-518 STS Series: Pop up desktop socket

Features:

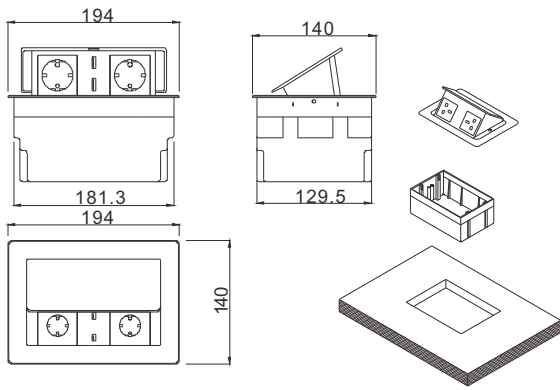
1. With damping device, press button and pop up with slow speed;
2. With screws and complete plastic bottom box, more easy to installation;
3. The panel is by aluminum alloy of intergrate diacasting structure, more reliable surface protect from scratch ;
4. Silver or black painting finish of optional surface .

Technical Parameters :

Parameter	Description
Panel Material	Aluminum alloy(6061)
Surface finish	Anodised
Panel Dimension(mm)	194*140
Cutout(mm)	183*132
Height of product(mm)	90
Bottom box size(mm)	181.3*129.5
Bottom box material	Fire-retardant PC plastic
Capacity of modules / Interface size	6 ways 45*45mm modules
Configuration	Power outlet+Data outlet or USB charging: Customized as required
Cable length	1.5m, 2m,2m or required length
Available modules	45*45mm Type series

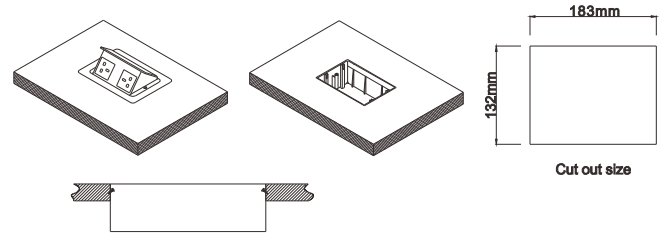


Outline Drawing: Unit:mm



Installation Guide

1. Remove the panel from the bottom box along with the electrical modules.
2. Fix the flooring with spare screws on the bottom box and place it in the embedded hole.
3. The flooring surface shall be at least level with the ground or 20mm below the ground.
4. Remove flooring surface ,Insert the 10--12mm lead head into the terminal of floor box.
5. Fix the panel to the bottom box with screws.



(Image is for reference only.)

Package: 12 Pcs inner box into a master carton. Poly bag with box packing.



STS Series Desktop Socket

Floor Socket

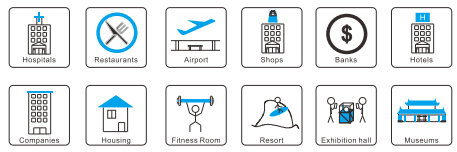
Switch

Accessories

FZ-510 STS Series: Wireless charger socket

Features:

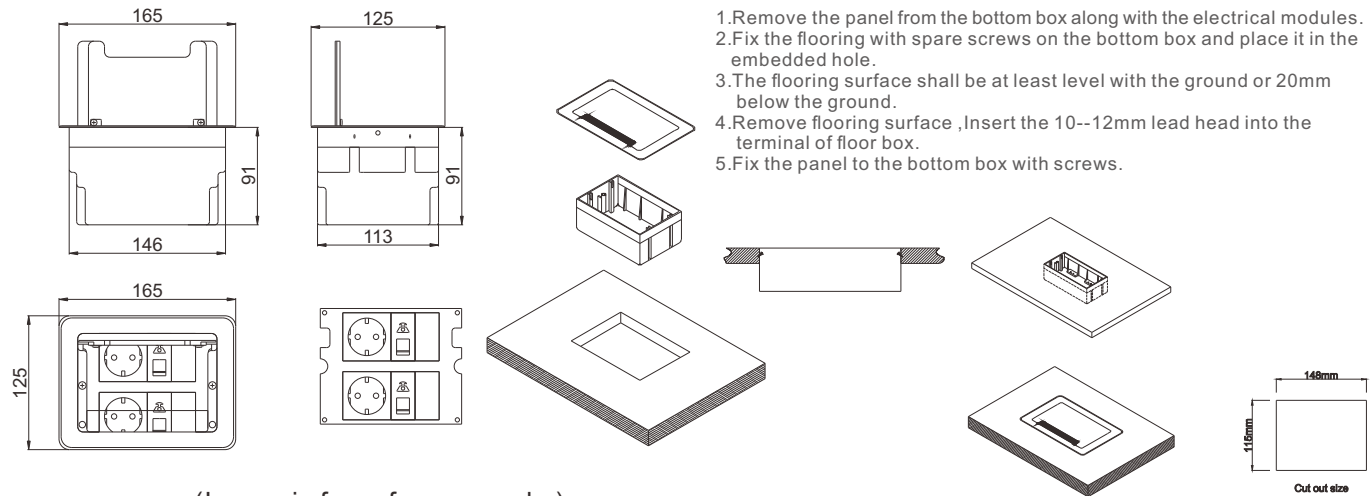
1. Wireless charging function as per **Qi** standard;
2. Wire drawing oxidation finish with **wireless charging** socket;
3. Dual USB port, full-voltage **USB** smart quick charge, supporting **QC3.0**; Carrying **QUALCOMM** identification chip, power conversion rate of above 80%, and at the same time, a variety of intelligent protection functions including overcharge protection, over-temperature protection, overvoltage protection, short circuit protection, under-voltage protection, overload protection, etc. overvoltage protection, short-circuit protection, under-voltage protection, overload protection, etc.



Technical Parameters :

Parameter	Description
USB charging	QC 3.0
Panel Material	Aluminum alloy
Surface finish	Electroplated/Painted/Power sprayed
Panel Dimension(mm)	165*125;
Cutout(mm)	230x112
Bottom box size(mm)	146*113*95
Bottom box material	Plastic
Capacity of modules / Interface size	4 ways 23*36mm 128 type modules
Configuration	Power outlet+Data outlet or USB charging

Outline Drawing: Unit:mm



(Image is for reference only.)

Package: 18 Pcs inner box into a master carton. Poly bag with box packing.

STS Series Desktop Socket



Floor Socket

Switch

Accessories

FZ-521-WF

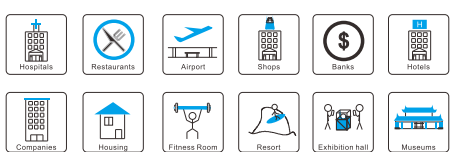
STS Series: wireless charger desktop socket

Features:

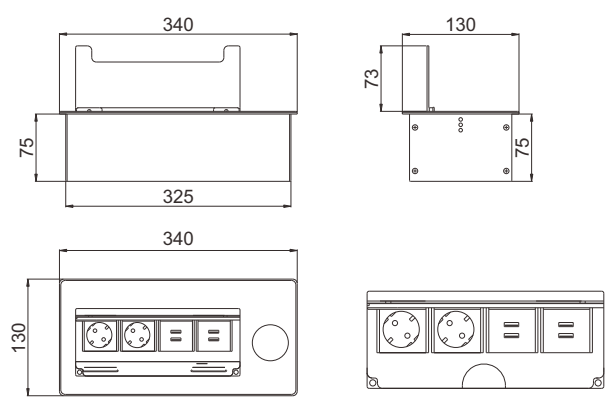
1. Wireless charging function as per **Qi** standard;
2. This hidden structure provides the user with a compact, clean and convenient connectivity solution;
3. Made from die-casting aluminum alloy and painted ;
4. More plug top clearance:45/90 degree angle when plug into receptacle;
5. With brush to protect cables from scratch;
6. Bigger capacity International 45*45mm modules .

Technical Parameters :

Parameter	Description
Panel Material	Aluminum alloy
Wireless charger standard Qi	
Panel Dimension(mm)	265*130
Cutout(mm)	254*116
Height of product(mm)	75
Bottom box size(mm)	252*114
Bottom box material	Metal
Capacity of modules / Interface size	9 ways 45*45mm modules
Configuration	Power outlet+Data outlet or USB charging : Customized as required
Cable length	1.5m, 2m,2m or required length

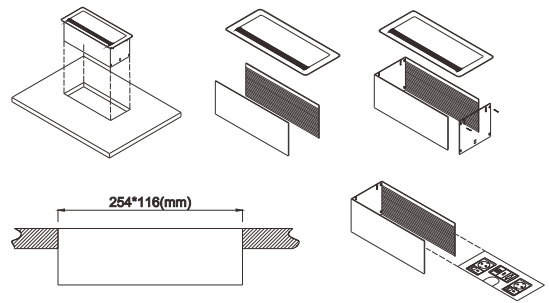


Outline Drawing: Unit:mm



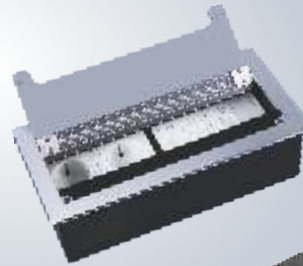
Installation Guide

1. Before installation, please tapping the table-board which is asked to install according to related product specification.(unit:mm)
2. Load the function key panel into a base box.
3. Mounting the panel and bottom box
4. Mounting the surrounding bottom box with eight screws
5. Place the product in a pre-opened table top

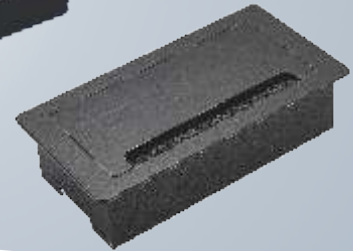


(Image is for reference only.)

Package:2 Pcs inner box into a master carton.Poly bag with box packing.



FZ-521-S



FZ-521-B

STS Series
Desktop Socket

Floor Socket

Switch

Accessories

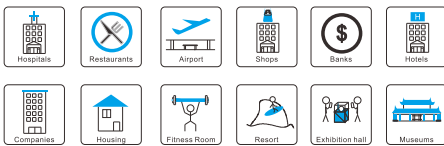
FZ-521 STS Series: Pop up desktop socket

Features:

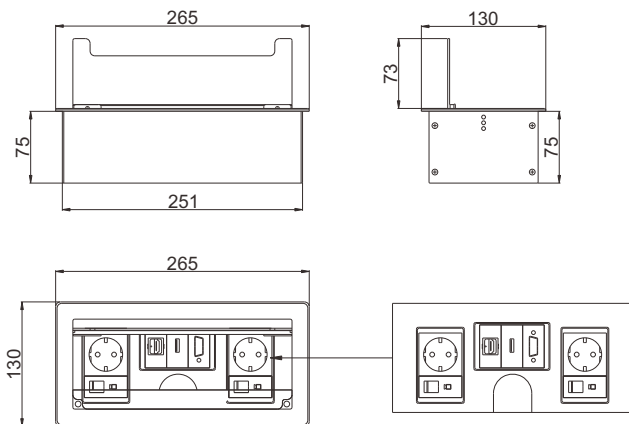
1. This hidden structure provides the user with a compact, clean and convenient connectivity solution;
2. Made from die-casting aluminum alloy and painted ;
3. More plug top clearance:45/90 angle when plug into receptacle;
4. With brush to protect cables from scratch;
5. Bigger capacity International 45*45mm modules .

Technical Parameters :

Parameter	Description
Panel Material	Aluminum alloy
Wireless charger standard	Electroplated/Painted/Power sprayed
Panel Dimension(mm)	265*130
Cutout(mm)	254*116
Height of product(mm)	75
Bottom box size(mm)	252*114
Bottom box material	Metal
Capacity of modules / Interface size	9 ways 45*45mm modules
Configuration	Power outlet+Data outlet or USB charging : Customized as required
Cable length	1.5m, 2m,2m or required length



Outline Drawing: Unit:mm

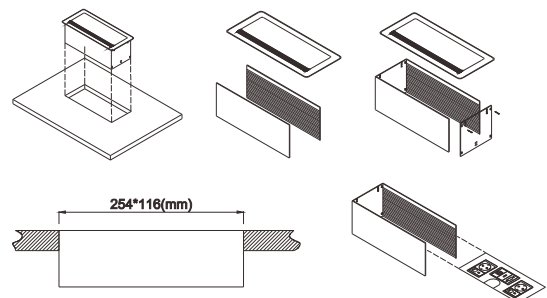


(Image is for reference only.)

Package:2 Pcs inner box into a master carton.Poly bag with box packing.

Installation Guide

1. Before installation, please tapping the table-board which is asked to install according to related product specification.(unit:mm)
2. Load the function key panel into a base box.
3. Mounting the panel and bottom box
4. Mounting the surrounding bottom box with eight screws
5. Place the product in a pre-opened table top



STS Series Desktop Socket



Kitchen Cabinet

Office Furniture



FZ-526

Floor Socket

Switch

Accessories

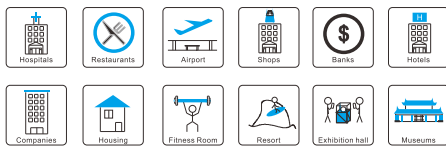
FZ-526 STS Series:Vertically press liftable Socket

Features:

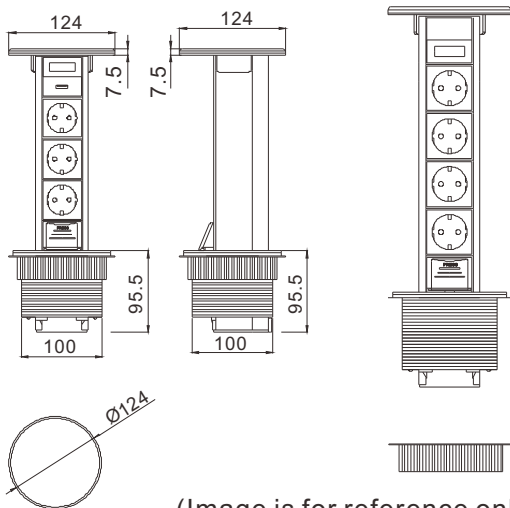
- Upside-down installation:the vertical power bar is hidden under the desktop.
- More plug top clearance:45/90 angle when plug into receptacle;
- Suitably installed into 120mm grommet hole.
- Suitable for desk tops up to 50mm;
- Brass/stainless ,more optional coverplate are optional.
- IP54 waterproof design: Ip54 level in close state and protect from the leakage danger of moisture.

Technical Parameters :

Parameter	Description
Metal die cast top cover	Stainless/Brass
Panel Dimension(mm)	Φ120
Cutout(mm)	Φ95
Dimension of product(mm)	120×252
Capacity of modules / Interface size	8 ways 45*45mm modules
Configuration	Power outlet+Data outlet or USB charging : Customized as required
Cable length	1.5m, 2m,3m or required length
IP Rating	IP 54



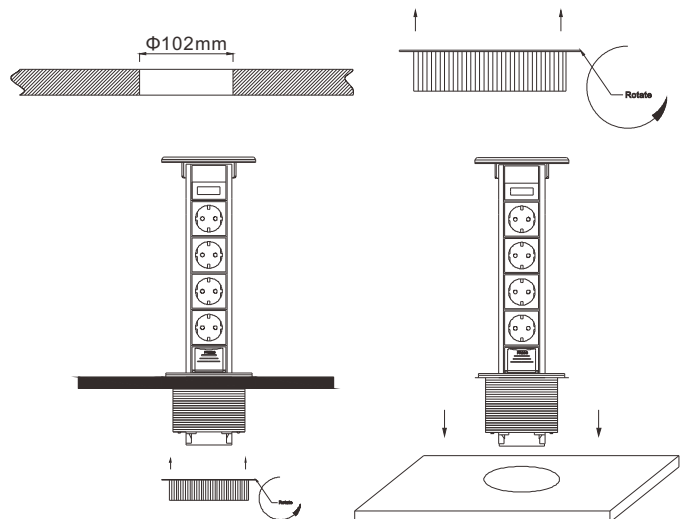
Outline Drawing: Unit:mm



(Image is for reference only.)

Package:6 Pcs inner box into a master carton.Poly bag with box packing.

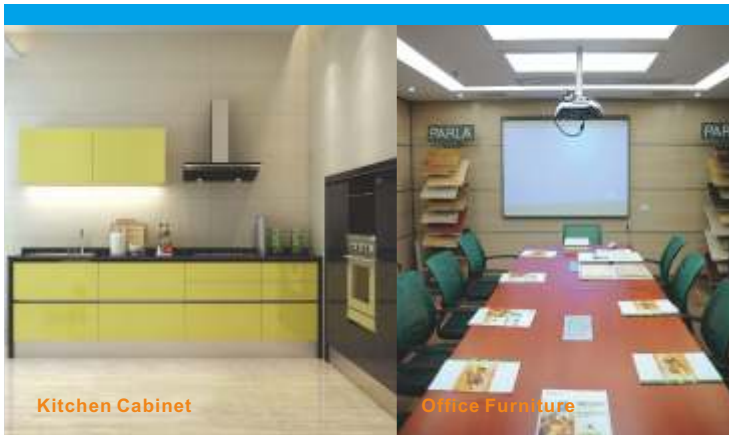
Installation Guide





In accordance with IEC60884/EN60670 Standard

RoHS



FZ-527

STS Series
Desktop Socket

Floor Socket

Switch

Accessories

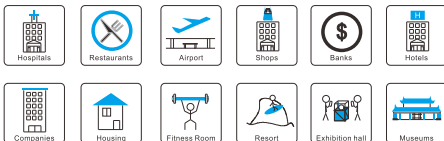
FZ-527 STS Series:Vertically Installation Socket

Features:

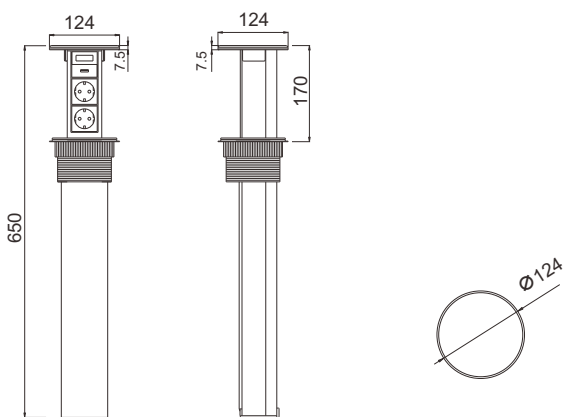
- 1.Application: Office desk, podiums, conference room desktop, Kitchen countertops, book countertops.
- 2.Automatic connect power: press button and automatic connect power
- 3.Suitably installed into 120mm grommet hole.
4. available with Brass/stainless coverplate.
- 5.IP54 level.

Technical Parameters :

Parameter	Description
Panel Material	Stainless/Brass
Panel Dimension(mm)	Φ120
Cutout(mm)	Φ95
Dimension of product(mm)	120×252
Capacity of modules / Interface size	8 ways 45*45mm modules
Configuration	Power outlet+Data outlet or USB charging : Customized as required
Cable length	1.5m, 2m,3m or required length
IP Rating	IP 54



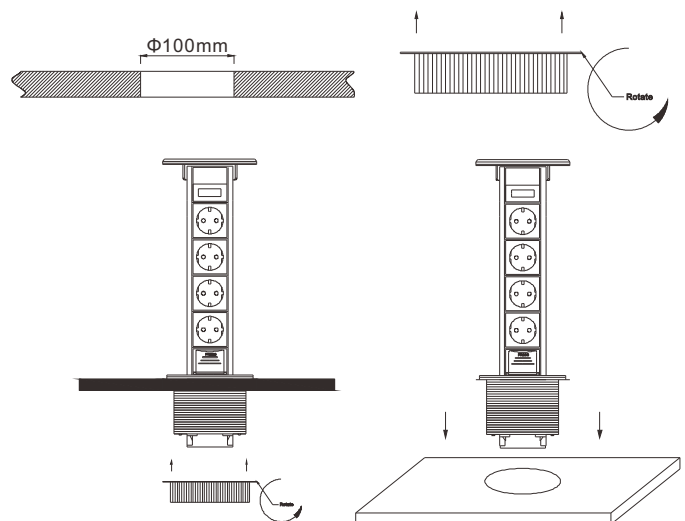
Outline Drawing: Unit:mm



(Image is for reference only.)

Package:6 Pcs inner box into a master carton.Poly bag with box packing.

Installation Guide



STS Series
Desktop Socket



Floor Socket

Switch

Accessories

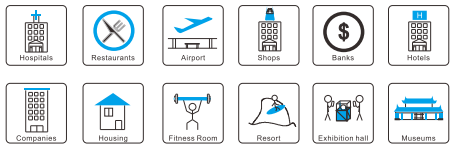
FZ-520 STS Series:Vertically press liftable Socket

Features:

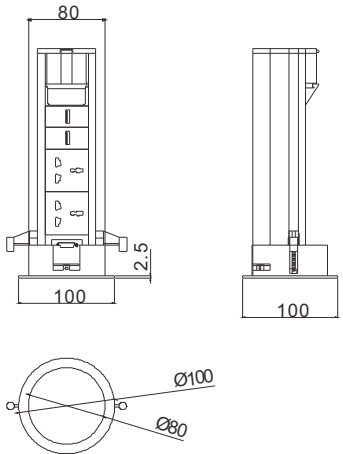
- 1.The unit is then hidden under the desktop, enabling the modules to come out push& pull the opening.
- 2.Enables the connection of 4 to 8 ways 45*45mm modules.
- 3.Simplicity: plastic coverplate with aluminum alloy profile.
- 4.Suitably installed into 80mm grommet hole;

Technical Parameters :

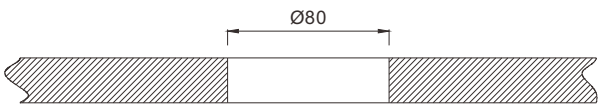
Parameter	Description
Material	Zinc Alloy/Steel
Panel Material	Aluminum alloy/PC plastic
Panel Dimension(mm)	Φ100
Cutout(mm)	Φ80
Dimension of product(mm)	195~330
Capacity of modules	4~10 ways 45*45mm modules
Cable length	1.5m, 2m,3m or required length
Available modules	45*45mm Type series



Outline Drawing: Unit:mm

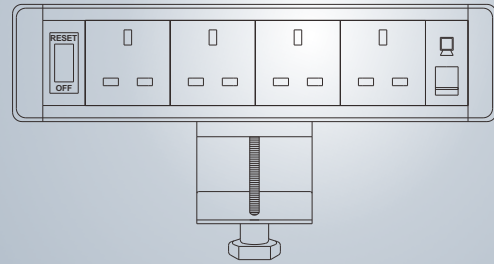


Installation Guide



(Image is for reference only.)

Package:8 Pcs inner box into a master carton.Poly bag with box packing.



STS Series
Desktop Socket

Floor Socket

Switch

Accessories

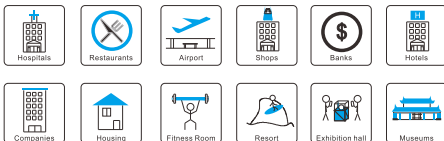
FZ-508 STS Series: Clamped on furniture Socket

Features:

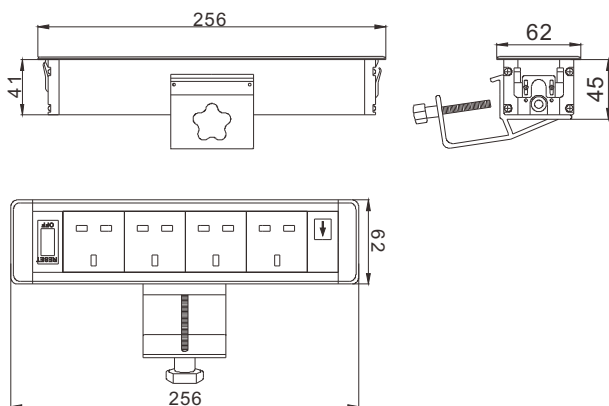
1. Easy for plug, 45 degree of module frame with desk.
2. Easily screw up way fixing;
3. Support wide range of power and data accessories available to meet all requirements;
4. The length of product & cord cable are customized by requirement.

Technical Parameters :

Parameter	Description
Panel Material	Aluminum alloy/steel
Surface finish	Painted/Brushed Oxygenated
Cover Dimension(mm)	433*94*87.5
Width (mm)	91
Capacity of modules / Interface size	8 ways 45*45mm modules
Configuration	Power outlet+Data outlet or USB charging+HDMI+VGA+Audio socket : Customized as required
Cable length	1.5m, 2m,3m or required length
IP Rating	IP Rated 22

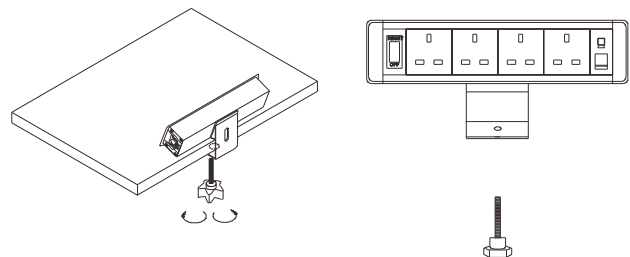


Outline Drawing: Unit:mm



Installation Guide

1. Installing Heavy current/Data systems
2. Interconnection
3. Installing the product to table Tightening by five-star wrench



(Image is for reference only.)
Package: Poly bag with box packing.

STS Series Desktop Socket

Floor Socket

Switch

Accessories



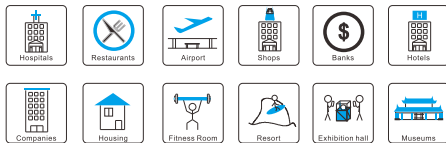
FZ-TB-B STS Series: Mounted on /clamped on Furniture Socket

Features:

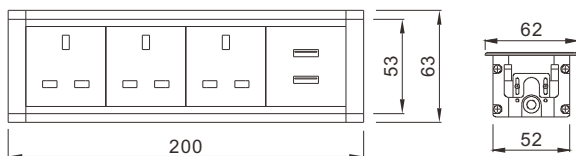
1. Mounted on screens or furniture socket.
2. Easy for plug, 45 degree angle of modules frame as desk.
3. Support wide range of power and data accessories available to meet all requirements;
4. The length of product & cord cable are customized by requirement.

Technical Parameters :

Parameter	Description
Panel Material	Aluminum alloy/steel
Surface finish	Painted/Brushed Oxygenated
Capacity of modules	45*45mm modules
Cable length	1.5m, 2m,3m or required length
Available modules	2 power socket+dual port USB charger 2.1A
Plug and cable wire	GST 3 pole socket or power plug cable

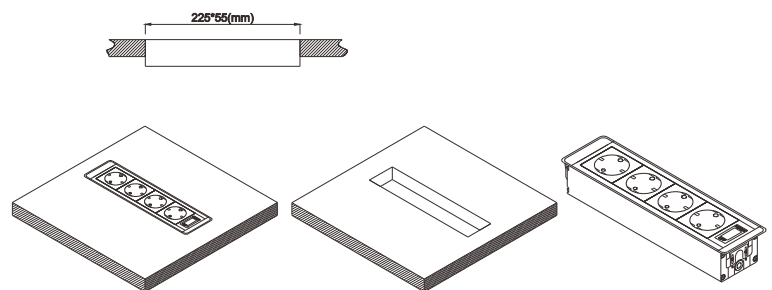


Outline Drawing: Unit:mm



Installation Guide

1. First, make holes in the table according to the appropriate size
2. Put the product into the cutting hole.



(Image is for reference only.)
Package: Poly bag with box packing.

STS Series
Desktop Socket

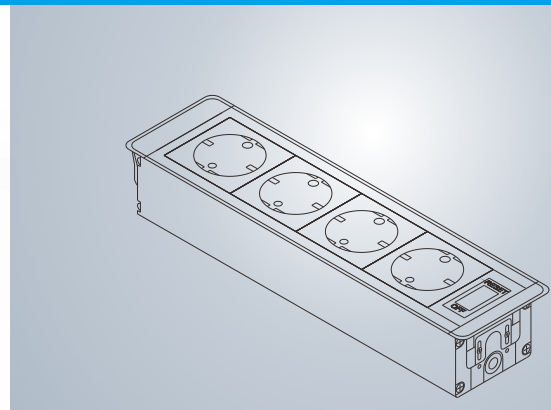
Floor Socket

Switch

Accessories



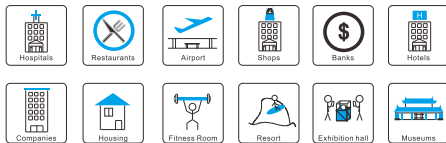
Wall mounting facility is optional



FZ-507 STS Series: Underdesk/ Wall mounted Furniture Socket

Features:

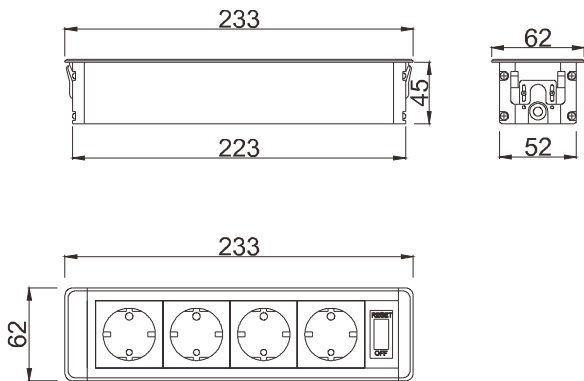
1. Double function switch combine indicator and control
2. Support wide range of power and data accessories available to meet all requirements;
3. The length of product & cord cable are customized by requirement.
4. Wall mounting facility is optional



Technical Parameters :

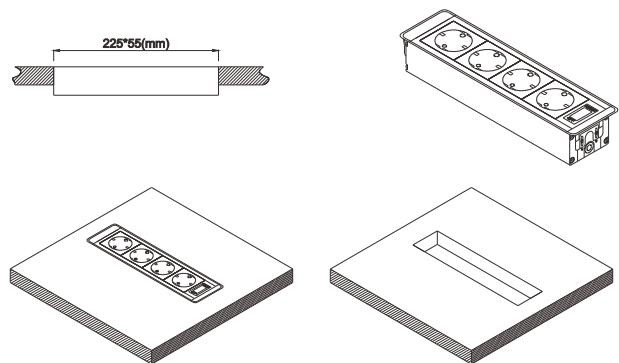
Parameter	Description
Panel Material	Aluminum alloy/steel
Surface finish	Painted/Brushed Oxygenated
Power bar Dimension(mm)	233*62
Base box (mm)	223*52*45
Capacity of modules / Interface size	Max.8 ways 45*45mm modules
Configuration	Power outlet+Data outlet or USB charging+HDMI+VGA+Audio socket : Customized as required
Cable length	1.5m, 2m,3m or required length
Available modules	45*45mm Type series

Outline Drawing:



Installation Guide

1. First, make holes in the table according to the appropriate size
2. Put the product into the cutting hole.



(Image is for reference only.)
Package: Poly bag with box packing.

STS Series Desktop Socket



Floor Socket

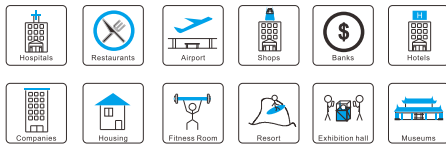
Switch

Accessories

FZ-525 STS Series: Office Furniture Socket

Features:

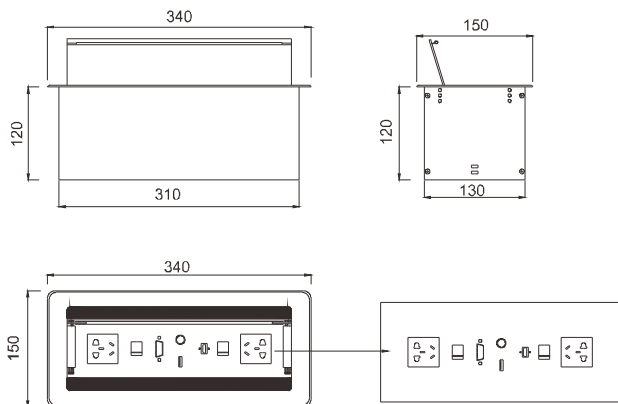
1. This hidden structure provides the user with a compact, clean and convenient connectivity solution;
2. Made from die-casting aluminum alloy and painted or oxidized;
3. Dual open side of coverplate;
4. With brush to protect cables from scratch.



Technical Parameters :

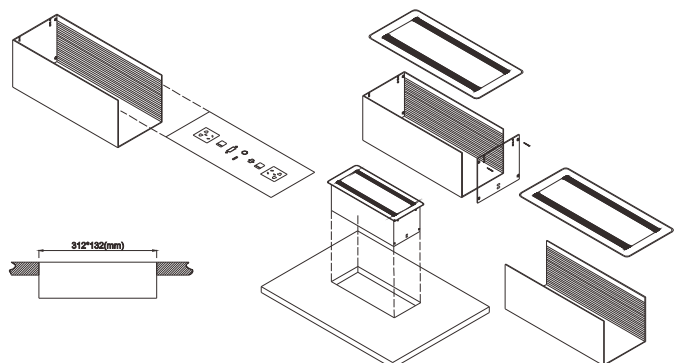
Parameter	Description
Panel Material	Aluminum alloy
Panel Dimension(mm)	340x150
Cutout(mm)	310x132
Height of product(mm)	116
Bottom box size(mm)	280*110*95
Bottom box material	Plastic
Capacity of modules / Interface size	8 ways 45*45mm modules
Configuration	Power outlet+Data outlet or USB charging: Customized as required
Cable length	IP Rated 22
IP Rating	1.5m, 2m,2m or required length

Outline Drawing: Unit:mm



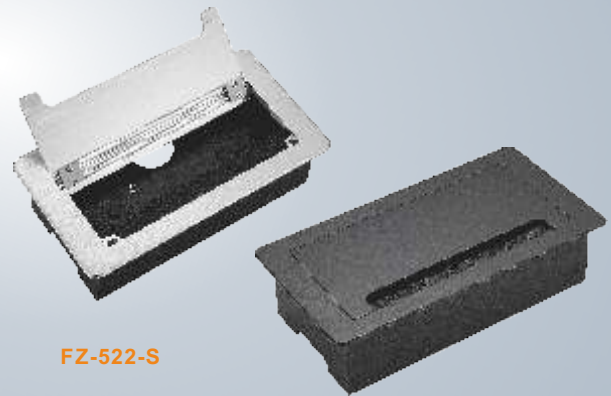
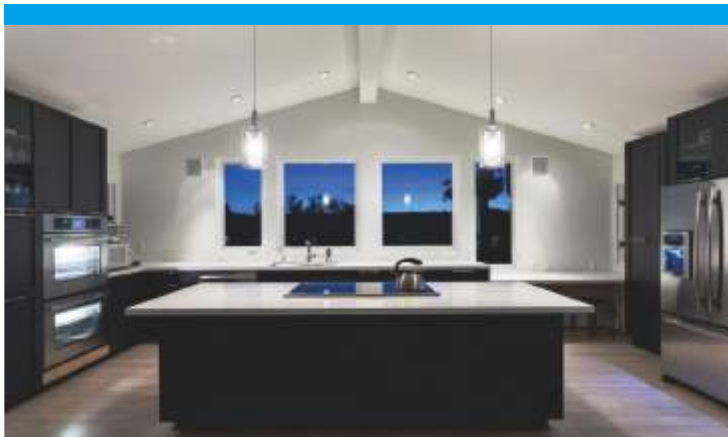
Installation Guide

1. Before installation, please tapping pore on the table-board which is asked to install according to related product specification.(unit:mm)
2. Load the function key panel into a base box.
3. Mounting the panel and bottom box
4. Mounting the surrounding bottom box with eight screws
5. Place the product in a pre-opened table top



(Image is for reference only.)

Package:2 Pcs inner box into a master carton.Poly bag with box packing.



FZ-522-S

FZ-522-B

STS Series
Desktop Socket

Floor Socket

Switch

Accessories

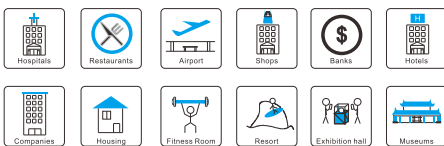
FZ-522-B/S STS Series: Office Furniture Socket

Features:

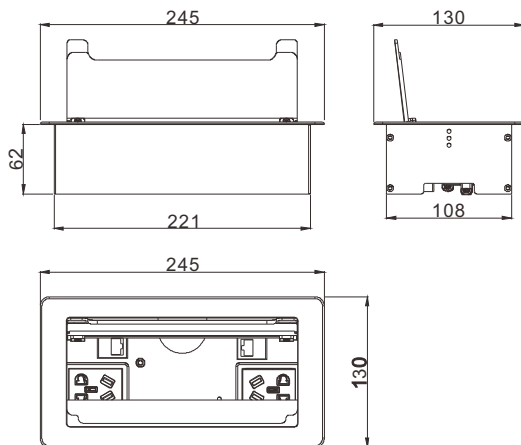
1. This hidden structure provides the user with a compact, clean and convenient connectivity solution;
2. Made from die-casting aluminum alloy and painted ;
3. Manually open with slower flip up from single side;
4. With brush to protect cables from scratch;
5. Bigger capacity:9 ways International 45*45mm modules.

Technical Parameters :

Parameter	Description
Panel Material	Aluminum alloy
Surface finish	Electroplated/Painted/Power sprayed
Panel Dimension(mm)	245*130
Cutout(mm)	223*110
Bottom box size(mm)	221*108
Bottom box material	ABS Plastic
Capacity of modules / Interface size	9 ways 45*45mm modules
Configuration	Power outlet+Data outlet or USB charging: Customized as required
Cable length	1.5m, 2m,2m or required length



Outline Drawing: Unit:mm

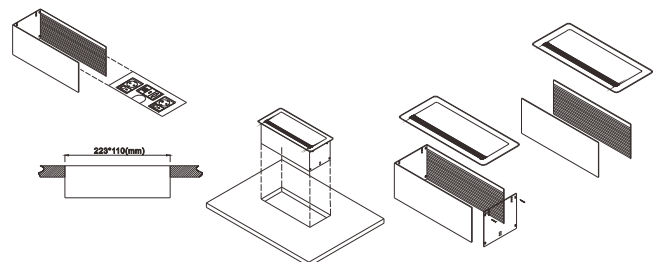


(Image is for reference only.)

Package:2 Pcs inner box into a master carton.Poly bag with box packing.

Installation Guide

- 1.Remove the panel from the bottom box along with the electrical modules.
- 2.Fix the flooring with spare screws on the bottom box and place it in the embedded hole.
- 3.The flooring surface shall be at least level with the ground or 20mm below the ground.
- 4.Remove flooring surface ,Insert the 10--12mm lead head into the terminal of floor box.
- 5.Fix the panel to the bottom box with screws.



STS Series
Desktop Socket



FZ-528-S



FZ-528-B

Floor Socket

Switch

Accessories

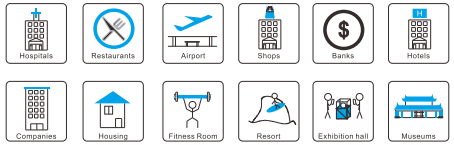
FZ-528-B/S STS Series: Office Furniture Socket

Features:

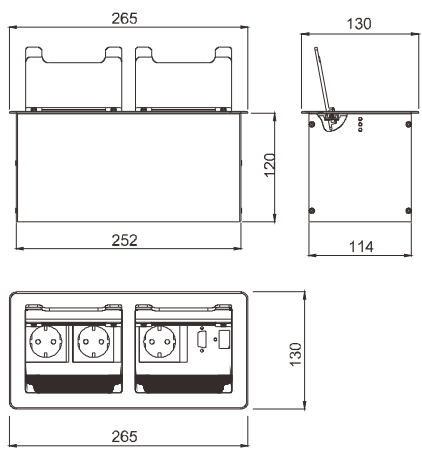
1. This hidden structure provides the user with a compact, clean and convenient connectivity solution;
2. Made from die-casting aluminum alloy and painted ;
3. Manually open with slower flip up from single side;
4. With brush to protect cables from scratch;
5. Bigger capacity:8 ways International 45*45mm modules.

Technical Parameters :

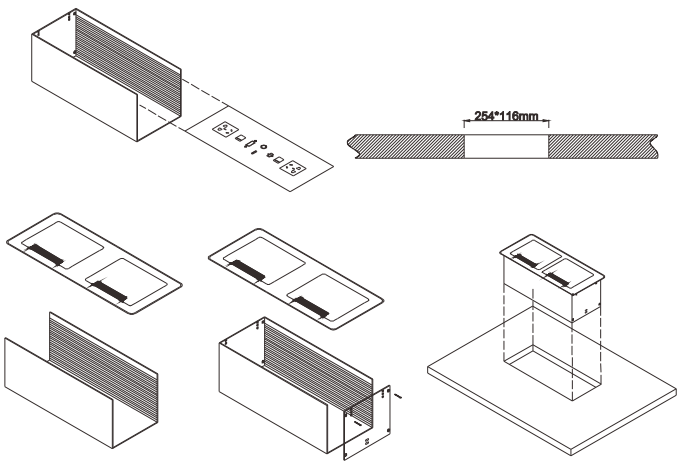
Parameter	Description
Panel Material	Aluminum alloy
Surface finish	Electroplated/Painted/Power sprayed
Panel Dimension(mm)	265*130
Cutout(mm)	254*116
Bottom box size(mm)	252*114
Bottom box material	ABS Plastic
Capacity of modules / Interface size	8 ways 45*45mm modules
Configuration	Power outlet+Data outlet or USB charging: Customized as required
Cable length	1.5m, 2m,2m or required length



Outline Drawing: Unit:mm



Installation Guide



(Image is for reference only.)

Package:2 Pcs inner box into a master carton.Poly bag with box packing.



STS Series
Desktop Socket

Floor Socket

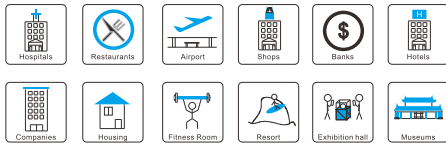
Switch

Accessories

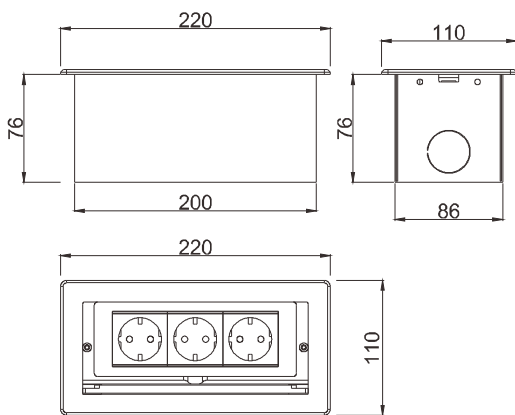
FZ-536 STS Series: Office Furniture Socket

Features:

1. Open hidden structure: Open coverplate when used and the plate is embedded into socket body inside.
2. With plastic bottom boxes;
3. Bigger capacity: 6 ways international 45×45mm modules.



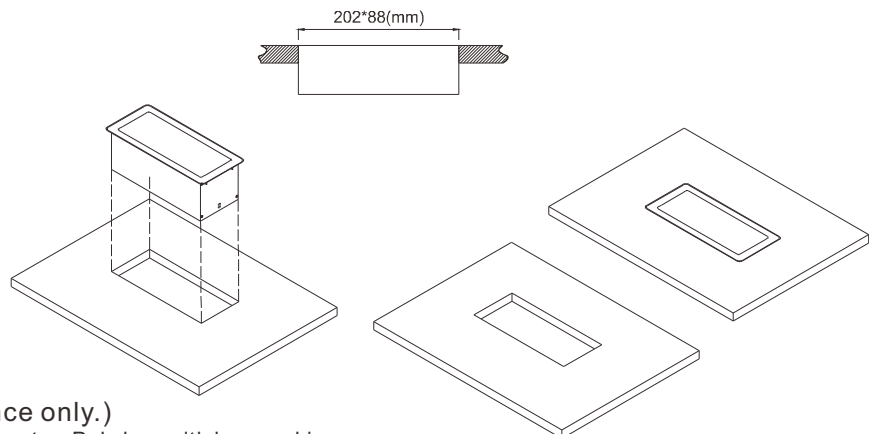
Outline Drawing: Unit:mm



Technical Parameters :

Parameter	Description
Panel Material	Aluminum alloy
Surface finish	Electroplated/Painted/Power sprayed
Panel Dimension(mm)	220*110
Cutout(mm)	201*90
Bottom box size(mm)	200*86*76
Bottom box material	Plastic
Capacity of modules / Interface size	6 ways
Configuration	Power outlet+Data outlet or USB charging; Customized as required
Cable length	1.5m, 2m,2m or required length
Available modules	45*45mm Type series

Installation Guide



(Image is for reference only.)

Package: 18 Pcs inner box into a master carton.Poly bag with box packing.

STS Series
Desktop Socket



Floor Socket

Switch

Accessories

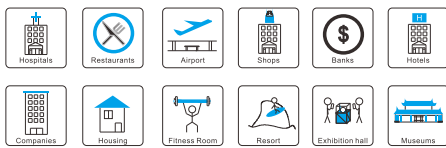
FZ-561 STS Series: Rotated flush-mounting desk socket

Features:

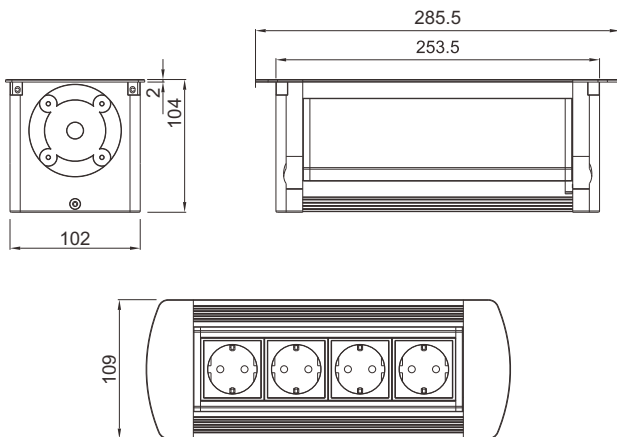
1. Application to furniture, conference tables, workstations, hotel room, healthcare settings, training and educational applications
2. In the closed position, the socket is flush with furniture and prevent accidental spillage of fluids into electrical socket/outlets;
3. The socket will rotate to the open position to facilitate installation of the unit;

Technical Parameters :

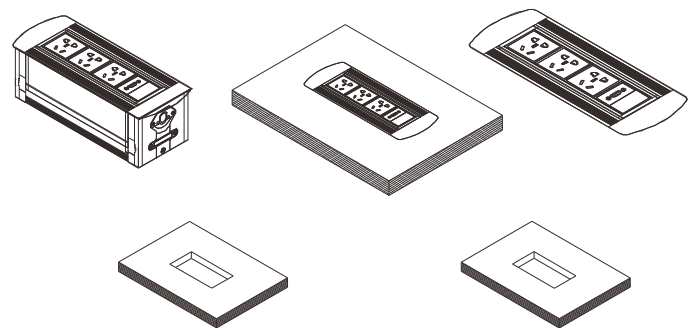
Parameter	Description
Panel Material	Aluminum alloy+PC
Panel Dimension(mm)	405*110*103
Capacity of modules / Interface size	10 ways 45*45mm modules
Cable length	1 M cord with chuko standard plug; This configurations and length of wire is customization
Electrical rating	220V/50HZ or 120V/60HZ



Outline Drawing: Unit:mm



Installation Guide



(Image is for reference only.)
Package: Poly bag with box packing.



STS Series
Desktop Socket

Floor Socket

Switch

Accessories

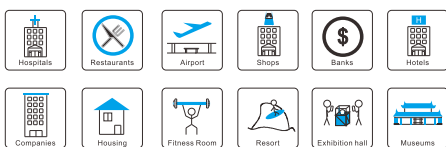
FZ-501 STS Series:Grommets

Features:

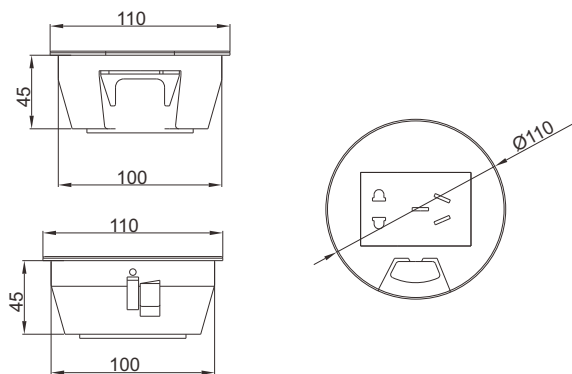
- 1.Application: Used as a conduit to interconnect the undertable cable collect system to desktop surface, cable travel through the grommet to desk;
2. Removable cable openings, different cable/fiber patch cord can easy fit through grommets.
3. Cable mouth size from 12~40mm.
- 4.Easy-die cut: round shape to die cut hole, save labor cost.
5. Complete grey flame retardant ABS construction.

Technical Parameters :

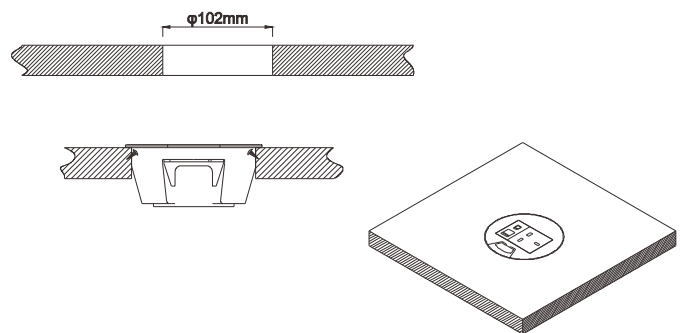
Parameter	Description
Bottom box Material	Engineering PC
Panel Dimension(mm)	Ø110
Cutout(mm)	Ø102
Base box dimension	Ø110*45
Capacity of modules	With 1* power outlet+dual port USB charger 2.1A
Available Structure	Round/ Without coverplate/ Concealed installation
Available Modules	Type 45



Outline Drawing: Unit:mm



Installation Guide



(Image is for reference only.)

Package: 18 Pcs inner box into a master carton.Poly bag with box packing.

STS Series
Desktop Socket



Floor Socket

Switch

Accessories

FZ-PFB01

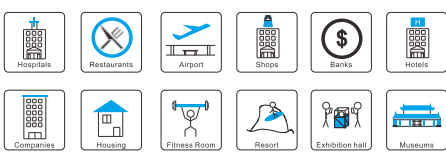
STS Series: Junction Box/Power Box/Ground Tank

Features:

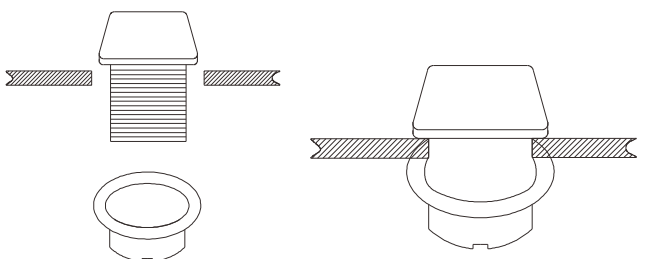
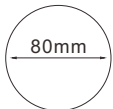
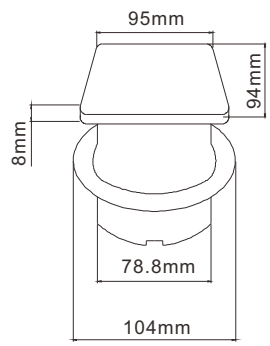
- 1.Application: Embedded in Sofa or table furniture;
- 2.IP44 protection level;
- 3.Slide coverplate surface finish by Power painting;
- 4.With two power outlet+dual port USB charger

Technical Parameters :

Parameter	Description
Panel Material	PC
Bottom box Material	Enginning PC
Panel Dimension(mm)	95*94
Cutout(mm)	Ø80
Capacity of modules	With two power outlet+dual port USB charger 2.1A
Cable length	1,2 Mts cable 100% cooper with plug is optional



Outline Drawing: Unit:mm



Installation Guide

- 1.Cut out $\phi 80\text{mm}$.
- 2.Rotate the mounting ring thread first and remove it.
- 3.Put the product into the opened hole.
- 4.Rotate and tighten the mounting ring thread and secure the product to the table.

(Image is for reference only.)
Package:Poly bag with box packing.



Desktop Socket

MCS Series Floor Socket

Switch

Accessories

FZ-531A/B MCS Series: Mini-columns

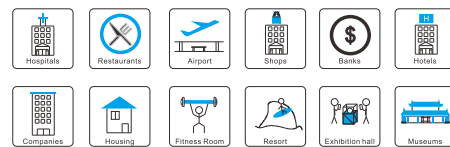
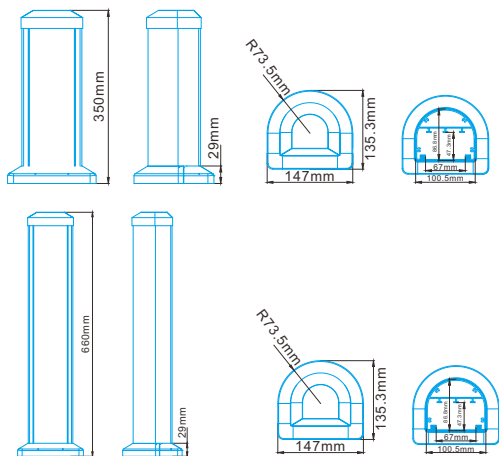
Features:

- 1.Installation mobility:** The columns are secured by pressure on the floor. It is very easy to reconfigure the distribution of workplaces.
- 2.Compact:** Aluminum alloy mini-columns are supplied all necessary materials for installation: foot for floor attachment, top and side covers and fastenings.
- 3.Height Customization:** 350/660mm height is customization.
- 4.1 Side power supply:** Easy to plug.

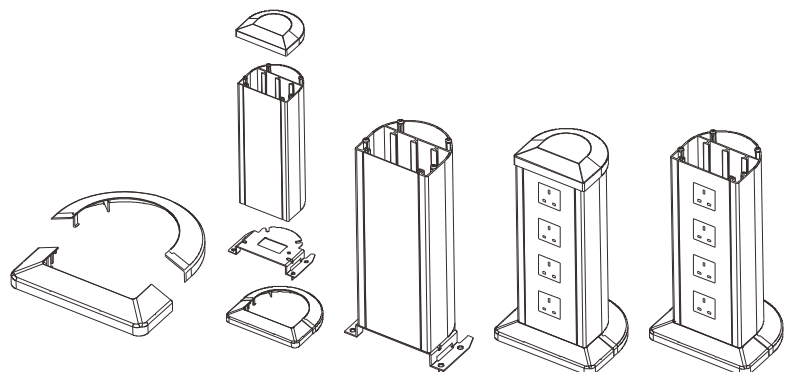
Technical Parameters :

Parameter	Description
Item	FS-531A/B
Power supply side	Single side
Panel Material	Aluminum alloy(6061)
Height of product(mm)	350 for FZ-531A
Height of product(mm)	660 for FZ-531B
Dimension (mm)	R73.5*147*135.3
Capacity of modules	8/16 ways 45*45mm modules
IP Rating	IP Rated 22

Outline Drawing: Unit:mm



Installation Guide



(Image is for reference only.)

Package:6 Pcs inner box into a master carton.Poly bag with box packing.



In accordance with IEC60884/EN60670 Standard

RoHS



STS Series
Desktop Socket



Floor Socket

Switch

Accessories

FZ-532A/B MCS Series: Mini-columns

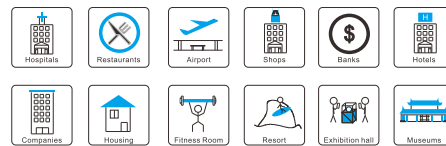
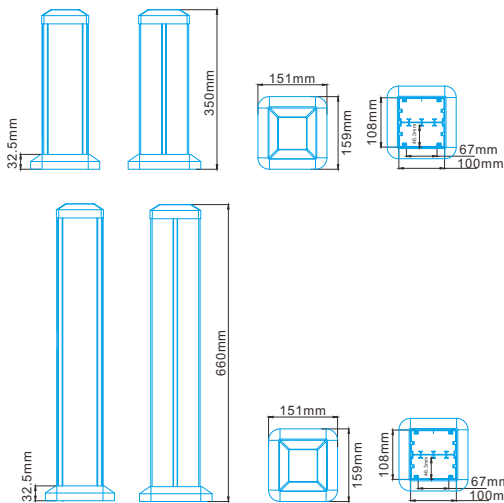
Features:

- 1. Installation mobility:** The columns are secured by pressure on the floor. It is very easy to reconfigure the distribution of workplaces.
- 2. Compact:** Aluminum alloy mini-columns are supplied all necessary materials for installation: foot for floor attachment, top and side covers and fastenings.
- 3. Height Customization:** 350/660mm height is customization.
- 4.2 Side (Rear face& front face) power supply:** Easy to plug.

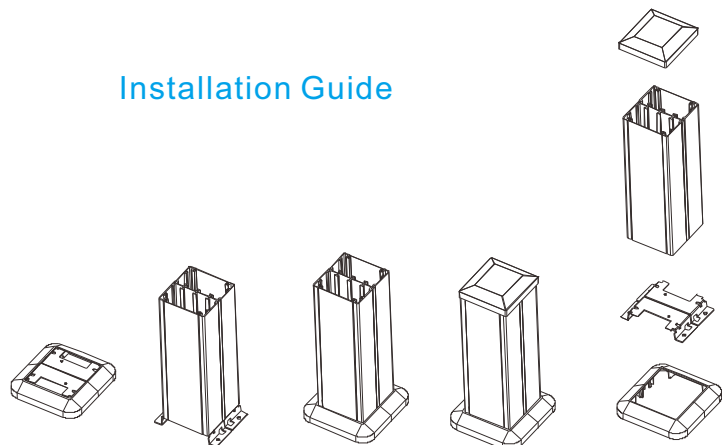
Technical Parameters :

Parameter	Description
Item	FS-532A/B-D
Power supply side	Two side
Panel Material	Aluminum alloy(6061)
Height of product(mm)	350 for FZ-532A
Height of product(mm)	660 for FZ-532B
Dimension (mm)	R73.5*147*135.3
Capacity of modules	8/16 ways 45*45mm modules
IP Rating	IP Rated 22

Outline Drawing: Unit:mm

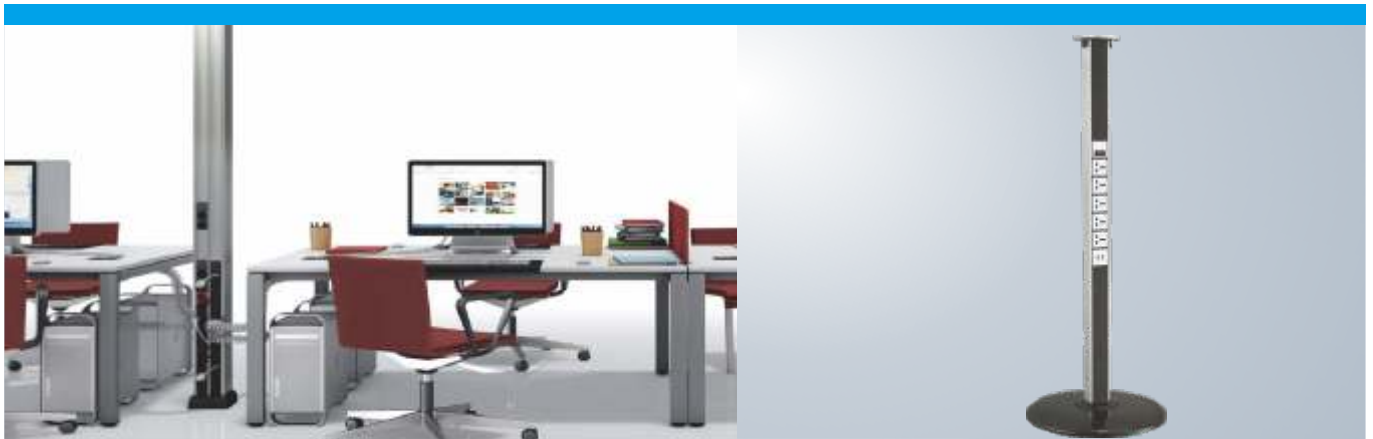


Installation Guide



(Image is for reference only.)

Package:6 Pcs inner box into a master carton.Poly bag with box packing.



Desktop Socket

MCS Series Floor Socket

Switch

Accessories

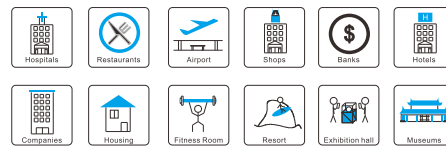
FZ-551 MCS Series: Mini-columns with metal coverplate and heavy base

Features:

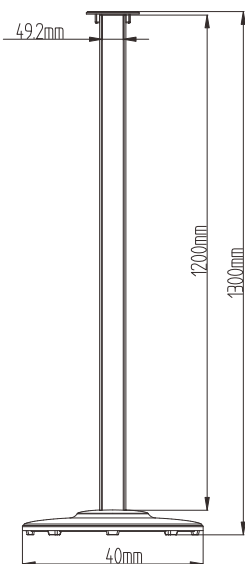
- 1.Installation mobility:** The columns are secured by pressure on the floor. It is very easy to reconfigure the distribution of workplaces.
- 2.Compact:** Aluminum alloy mini-columns are supplied all necessary materials for installation: foot for floor attachment, top and side covers and fastenings.
- 3.Height Customization:** 1300mm height is customization.
- 4.1 Side power supply:** Easy to plug.
5. With stainless/brass metal coverplate;
6. With bigger round base, more stable.

Technical Parameters :

Parameter	Description
Power supply side	Single side
Panel Material	Aluminum alloy(6061)
Height of product(mm)	1300 for FZ-551
Available modules	(45*45/45*22.5)mm Type series



Outline Drawing: Unit:mm



(Image is for reference only.)
Package: Poly bag with box packing.