

**WENZHOU SAFEWIRE ELECTRIC CO.,LTD.
FEILIFU TECHNOLOGY CO.,LTD.(Stock No.870361)**

📍 Office&Showing room:No.152 Xinguang Road, Xinguang industry zone,
Liushi town, Yueqing,Wenzhou,China ,325604

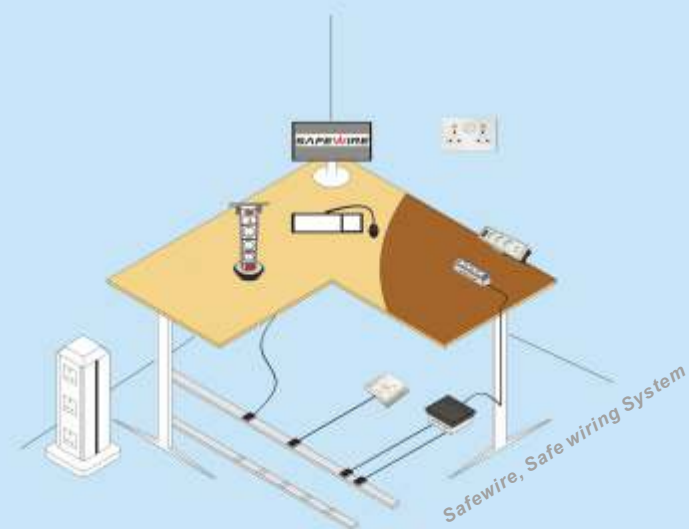
📍 Socket factory:No.18,Chunhui Rd, Yongan Industrial Zone,Xianju County,
Taizhou City,Zhejiang,China 317300

📍 Switch factory:No. 33 Middle Industrial Avenue,Xiaolan,Zhongshan,
Guangdong,China

☎ 0086-577-61725369 0086-18612380398

✉ info@safewirele.com; happyhe@safewirele.com

 **SAFEWIRE** By Feilifu
Since 1998; 20 years OEM factory for global brand



Socket / Switch / Wiring System



Safewire 2019/2020 Catalogue
(Ver. 2.0)



For more details,
please visit:
www.safewirele.com
or scan this QR code.



About Us

The Safewire behind the flagship brand Feilifu ,Feilifu Technology Co., Ltd was established on 1998. Since then, we embarked on the relentless pursuit of being the biggest supplier with over 30,000 square meters building areas in China as we choose only the best and safest electrical products with their consumers in mind.

We provided OEM and ODM service for most worldwide brands. And exported products& service to over 56 countries in Europe, Australia, Middle East and Southeast etc. When our clients purchase our products, they know they are getting value for their money, with performance, reliability and quality. Every product carries our personal guarantee and service commitment. Our team stands behind every product we sell-even years after it is installed. We now offer reliable years warranty on all Safewire products, covering parts and labor. We have built our reputation on this.

Of course we also have a huge range of shapes, sizes, boxes with IP Ratings and your choice of a metal finish or inlay, all readily available from your local electrical wholesaler. If none of our options are suitable for your application, please contact us about customization solution for you.



Equipment

We produce high quality electric products and export all over the world.

Our floor socket, floor boxes, underfloor junction box and other wiring system products are entirely produced in house with strict quality control.



Our production facilities include:

- Factory: 30,000 square meters building areas;
- R&D department: 3D design and engineers with vast experience and knowledge.
- Tools department: We have brand new CNC center with erosion machines, trilling machines and saw machines.
- Press department: Equipped with several new press machines for up to 100 t and 10 lathe machines metal cutting and bending machines. etc.
- Galvanization department: Newly refurbished automatic galvanizing line. We can make Ag, Zn, Ni and Tn plating on our metal and copper parts.
- Own independent electrical laboratory--Full routine testing for our own products, 300 sqm of advanced technology lab.





Our Lab

Our object is to deliver professional connected wiring solutions that are based on new business models and offer new services for all kind of applications.

Today, Safewire is an active member of important associations and consortiums in electric industry-both worldwide and on a regional level.

- A) Associations/ Alliances IEC; CQC;
- B) Certification bodies ISO, CE, RoHS, EN/EC,



ISO 9001, ISO 14001 OHSAS System

3rd

Party Test Certificate

Although not a mandatory requirement the company supports as a policy that all functional products should undergo a third party test certification process. Please noted that our products fulfill type testing to the National Standards GB/T23307 and International standards IEC60884 can demonstrate compliance and product reliability.



Socket CE Certified by TUV, Germany

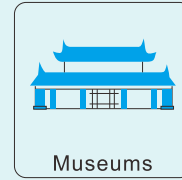
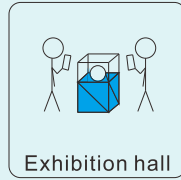
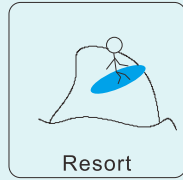
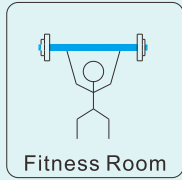
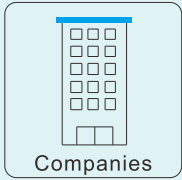
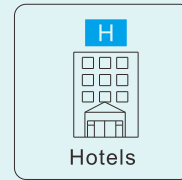
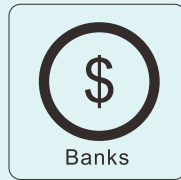


Switch CB/GCC Certificate



Patent





Partnership Support of Project

Many important and prestigious projects have been successfully completed using the various ranges within the Safewire product catalogue.

Applications have included domestic and residential, construction and social housing via housing associations and local authorities. Special products for public areas: educational, recreational and ranges that are more directed to the light commercial, office, factory and retail installation have all been achieved.

Our products honor used in these project as below:



GUARANTEE OF AFTER-SALE SERVICE

Safewire Electric Co.,Ltd assure that our products are strictly in accordance with the ISO management system ,now we guarantee our products after-sale service as this following :

- 1 Our company guarantees that the products will be strictly inspected before shipped from factory and the QA rate of products will 100%.
- 2 Our company guarantees that within 1 year from date of receipt and finish installation if some problems occure, our company is responsible for replace free of charge.If beyond warranty period, we will provide you with corresponding paid services within a reasonable range.
- 3 Our electrical accessories is guaranteed to give satisfactory performance for life provided the following conditions exist.
 - a.The accessory has been properly installed by a competent person.
 - b.The accessory has been installed in accordance with the wiring regulations and amendments in force at the time of installation, and that it has not been tampered with or subjected to improper or abnormal use.
- 4.This following statitution will be paid service:.
 - * exceeding the warranty period;
 - * failure to provide purchase evidence/documents;
 - * damage caused by failure to use or repair the product as required in the product manual (pay special attention to water inspur into, damage by drop or other not right way by people);
 - * if the customer repairs or disassemblesby himself or by other person who not authorized by our company;
 - * damage caused by wiring with bad quality level communication cables;
 - * failureor damage of products caused by major force such as flood,fire,lightning, eather-quake etc.

When problems occur during the use of the product, our technical engineer will actively respond.Any problem of product quality ,our company will guarantee a clear reply or solution within reasonable time.

Remark: Safewire Electric Co.,Ltd reserves the right to modify, at any moment, in the consumer's best interests, the features and components of its products without prior notice.

Safewire Electric Co.,Ltd





P79-P86

P87-P92

Accessories

Switch

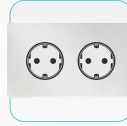
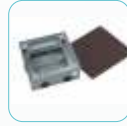
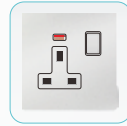
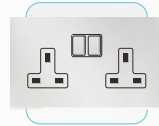
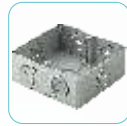
**45*45mm
Module**

**USB
Charger**

Bridge

Sink Box

**Optical
patch cord &
faceplate.**

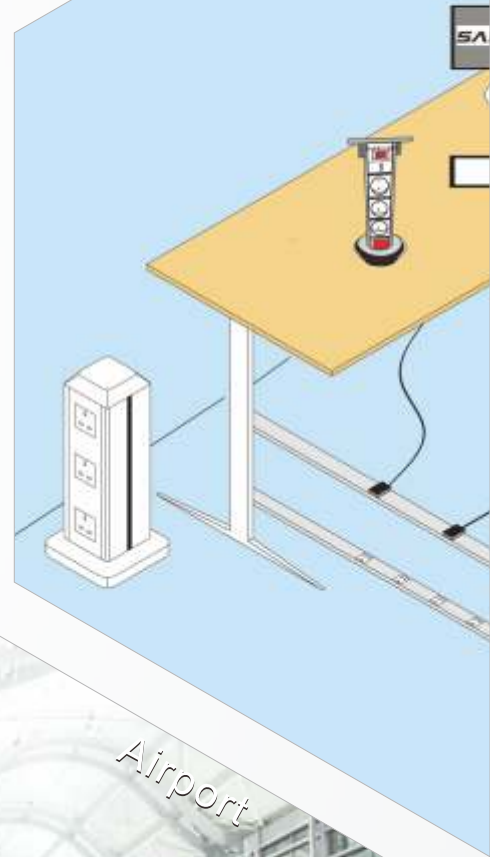




Official Furniture



Kitchen Cabinet

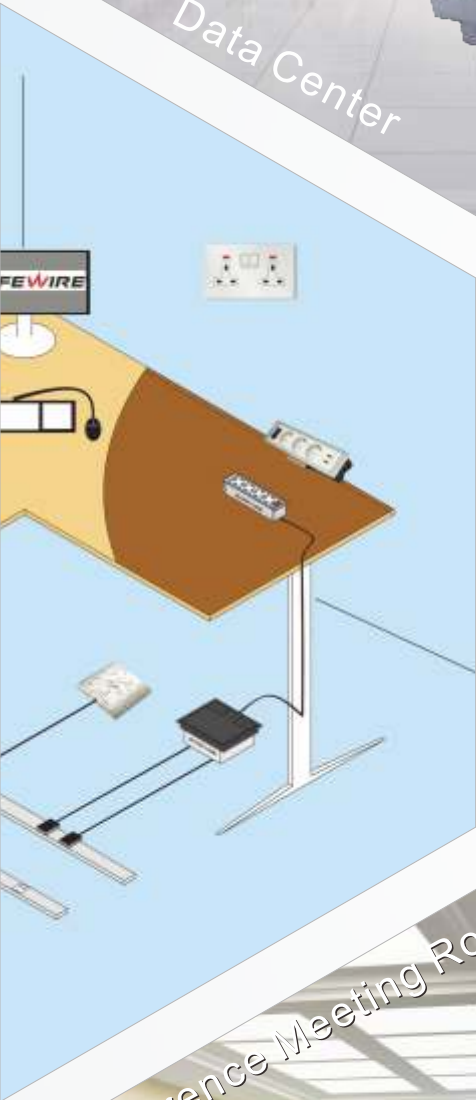


Airport





Data Center



Conference Meeting Room



Exhibition Hall



Conference Meeting Room

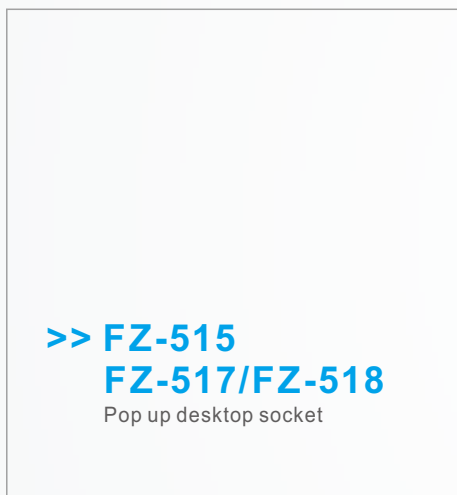
Office Furniture Socket OPDU/Table Modular



>> **FZ-501/FZ-536/FZ/PFB01**
Embedded desktop socket



>> **FZ-561**
Rotated hidden socket



>> **FZ-521-WF/FZ-5101** Wireless charger desktop socket

>> **FZ-520**
FZ-526
FZ-527

Vertical aluminum liftable up socket
IP54 Vertical pop up socket with brass
Stainless coverplate



>> **FZ-507**
FZ-508
FZ-TB-B

Screen Mounting PDU
Screen clamped PDU
Table clamped PDU



>> **FZ-522/FZ-525/FZ-528** Flush-mounting single flap lid /duplex flap lid desk socket

STS Series Desktop Socket



Floor Socket

Switch

Accessories

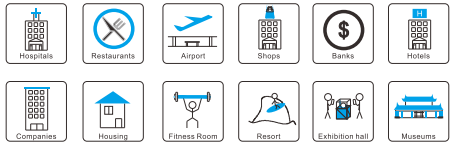
FZ-517-B/S/W STS Series: Pop up desktop socket

Features:

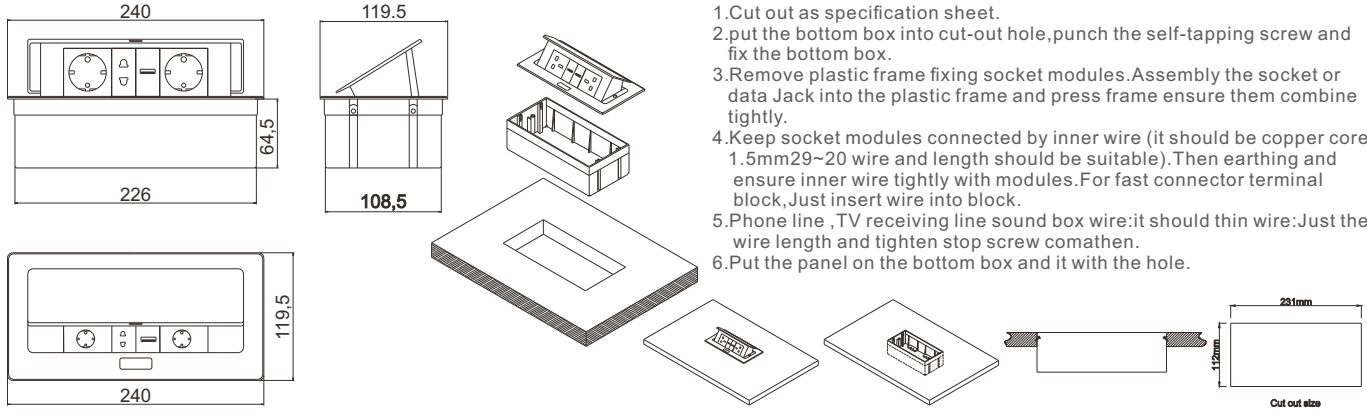
1. Complete coverplate with round corner shape by CNC: no worry about die-cut when DIY.
2. With 2*damping device, press button and pop up with slow speed;
3. Easy Installation: only screw bottom box and with fast wiring terminal block, no need additional hank accessories, save labor cost.
4. Replacement modules mechanism: Coverplate is separate with bottom box, it is easy to replace modules after installation into table.
5. Fire-retardant PC plastic bottom box: In accordance with UL94 standard.
6. More optional color :Black/white/silver or other customization color.

Technical Parameters :

Parameter	Description
Panel Material	Aluminum alloy(6061)
Panel Dimension(mm)	240x120
Cutout(mm)	230x112
Bottom box size(mm)	229*110*70
Bottom box material	Fire-retardant PC plastic
Capacity of modules /	6 ways 45*45mm modules
Interface size	
Cable length	1.5m, 2m,2m or required length
IP Rating	IP Rated 22
Color	Black Color:RAL9005 White Color:RAL9016 Silver Color:RAL9006



Outline Drawing: Unit:mm



(Image is for reference only.)

Package: 12 Pcs inner box into a master carton. Poly bag with box packing.

Installation Guide

1. Cut out as specification sheet.
2. put the bottom box into cut-out hole, punch the self-tapping screw and fix the bottom box.
3. Remove plastic frame fixing socket modules. Assembly the socket or data Jack into the plastic frame and press frame ensure them combine tightly.
4. Keep socket modules connected by inner wire (it should be copper core 1.5mm29~20 wire and length should be suitable). Then earthing and ensure inner wire tightly with modules. For fast connector terminal block, Just insert wire into block.
5. Phone line , TV receiving line sound box wire: it should thin wire: Just the wire length and tighten stop screw comathen.
6. Put the panel on the bottom box and it with the hole.



STS Series
Desktop Socket

Floor Socket

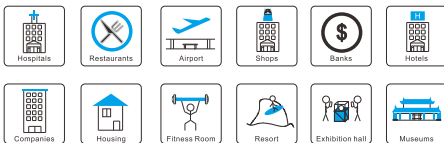
Switch

Accessories

FZ-515 STS Series: Pop up meeting socket

Features:

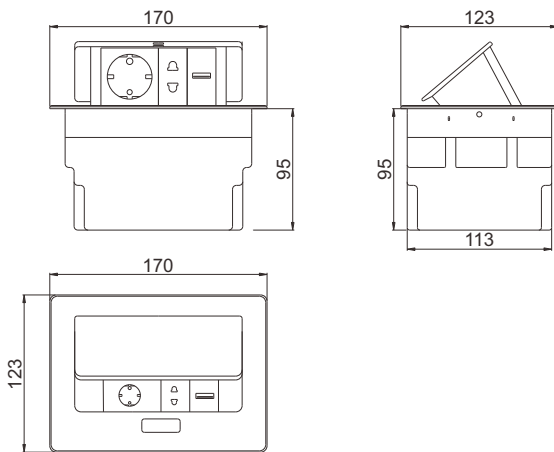
1. Applicable: Podiums, office desk, conference room desktop
2. With damping device;
3. Screws with complete plastic bottom box, more easy to installation;
4. The panel is by aluminum alloy of intergrate diacasting structure, more reliable surface protect from scratch ;
5. Silver or black painting finish of optional surface .



Technical Parameters :

Parameter	Description
Panel Material	Aluminum alloy(6061)
Panel Dimension(mm)	170*123
Cutout(mm)	147*114
Height of product(mm)	95
Bottom box size(mm)	146*113*95
Bottom box material	Fire-retardant plastic
Capacity of modules / Interface size	4 ways 45*45mm modules
Configuration	Power outlet+Data outlet or USB charging : Customized as required
Cable length	1.5m, 2m,2m or required length
IP Rating	IP Rated 22

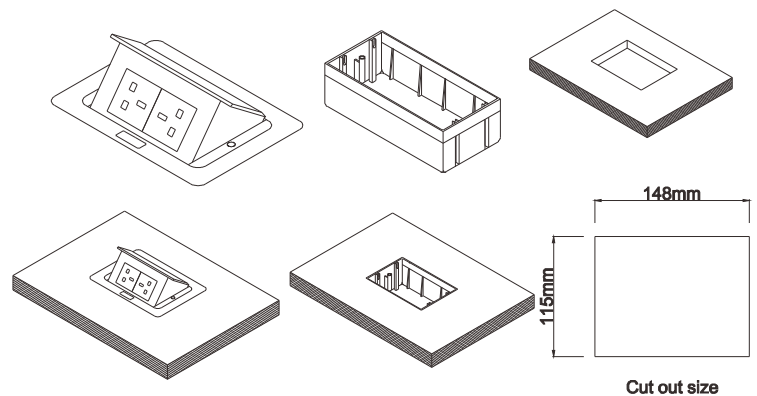
Outline Drawing: Unit:mm



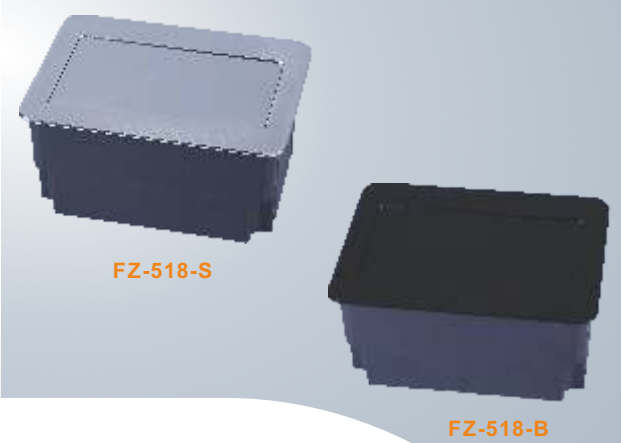
(Image is for reference only.)

Package: 12 Pcs inner box into a master carton. Poly bag with box packing.

Installation Guide



STS Series Desktop Socket



Floor Socket

Switch

Accessories

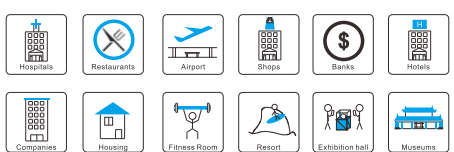
FZ-518 STS Series: Pop up desktop socket

Features:

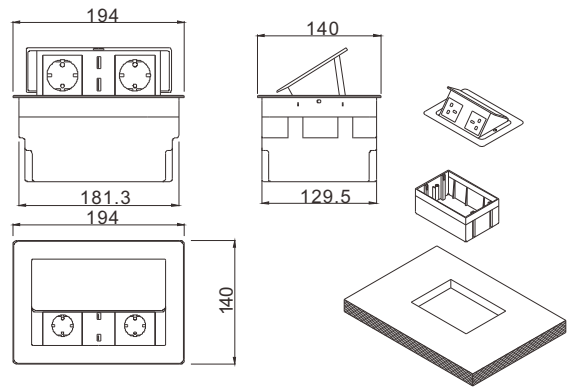
1. With damping device, press button and pop up with slow speed;
2. With screws and complete plastic bottom box, more easy to installation;
3. The panel is by aluminum alloy of intergrate diacasting structure, more reliable surface protect from scratch ;
4. Silver or black painting finish of optional surface .

Technical Parameters :

Parameter	Description
Panel Material	Aluminum alloy(6061)
Surface finish	Anodised
Panel Dimension(mm)	194*140
Cutout(mm)	183*132
Height of product(mm)	90
Bottom box size(mm)	181.3*129.5
Bottom box material	Fire-retardant PC plastic
Capacity of modules / Interface size	6 ways 45*45mm modules
Configuration	Power outlet+Data outlet or USB charging: Customized as required
Cable length	1.5m, 2m,2m or required length
Available modules	45*45mm Type series

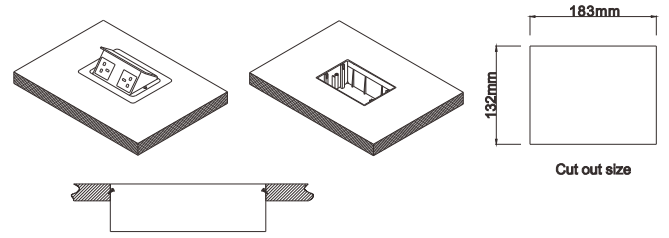


Outline Drawing: Unit:mm



Installation Guide

1. Remove the panel from the bottom box along with the electrical modules.
2. Fix the flooring with spare screws on the bottom box and place it in the embedded hole.
3. The flooring surface shall be at least level with the ground or 20mm below the ground.
4. Remove flooring surface ,Insert the 10--12mm lead head into the terminal of floor box.
5. Fix the panel to the bottom box with screws.



(Image is for reference only.)

Package: 12 Pcs inner box into a master carton. Poly bag with box packing.



STS Series Desktop Socket

Floor Socket

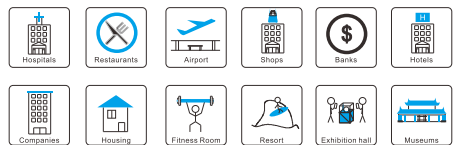
Switch

Accessories

FZ-510 STS Series: Wireless charger socket

Features:

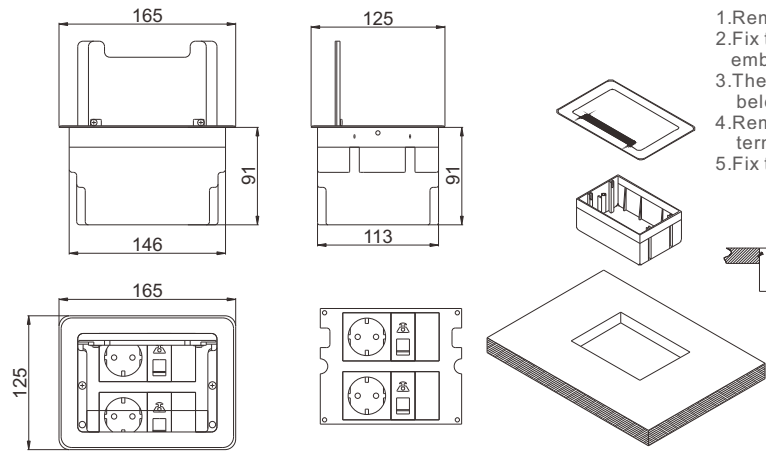
1. Wireless charging function as per **Qi** standard;
2. Wire drawing oxidation finish with **wireless charging** socket;
3. Dual USB port, full-voltage **USB** smart quick charge, supporting **QC3.0**; Carrying **QUALCOMM** identification chip, power conversion rate of above 80%, and at the same time, a variety of intelligent protection functions including overcharge protection, over-temperature protection, overvoltage protection, short circuit protection, under-voltage protection, overload protection, etc. overvoltage protection, short-circuit protection, under-voltage protection, overload protection, etc.



Technical Parameters :

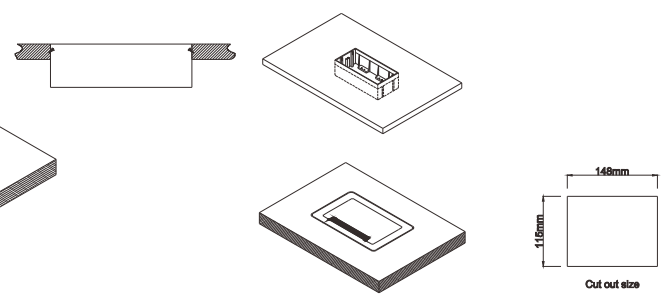
Parameter	Description
USB charging	QC 3.0
Panel Material	Aluminum alloy
Surface finish	Electroplated/Painted/Power sprayed
Panel Dimension(mm)	165*125;
Cutout(mm)	230x112
Bottom box size(mm)	146*113*95
Bottom box material	Plastic
Capacity of modules / Interface size	4 ways 23*36mm 128 type modules
Configuration	Power outlet+Data outlet or USB charging

Outline Drawing: Unit:mm



Installation Guide

1. Remove the panel from the bottom box along with the electrical modules.
2. Fix the flooring with spare screws on the bottom box and place it in the embedded hole.
3. The flooring surface shall be at least level with the ground or 20mm below the ground.
4. Remove flooring surface, Insert the 10--12mm lead head into the terminal of floor box.
5. Fix the panel to the bottom box with screws.



(Image is for reference only.)

Package: 18 Pcs inner box into a master carton. Poly bag with box packing.

STS Series Desktop Socket



Floor Socket

Switch

Accessories

FZ-521-WF

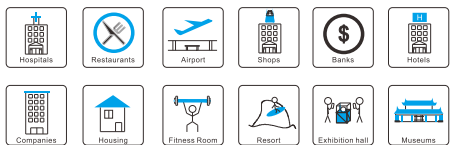
STS Series: wireless charger desktop socket

Features:

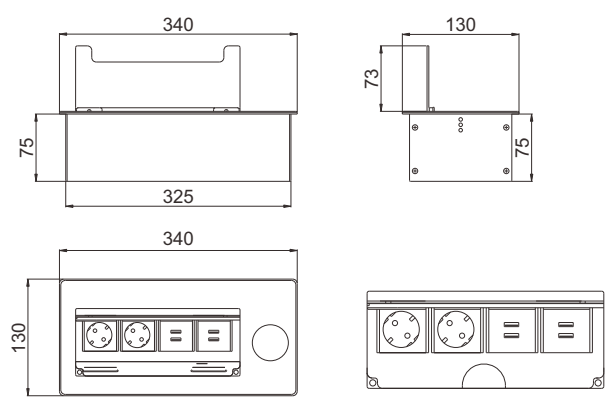
1. Wireless charging function as per **Qi** standard;
2. This hidden structure provides the user with a compact, clean and convenient connectivity solution;
3. Made from die-casting aluminum alloy and painted ;
4. More plug top clearance:45/90 degree angle when plug into receptacle;
5. With brush to protect cables from scratch;
6. Bigger capacity International 45*45mm modules .

Technical Parameters :

Parameter	Description
Panel Material	Aluminum alloy
Wireless charger standard Qi	
Panel Dimension(mm)	265*130
Cutout(mm)	254*116
Height of product(mm)	75
Bottom box size(mm)	252*114
Bottom box material	Metal
Capacity of modules / Interface size	9 ways 45*45mm modules
Configuration	Power outlet+Data outlet or USB charging : Customized as required
Cable length	1.5m, 2m,2m or required length

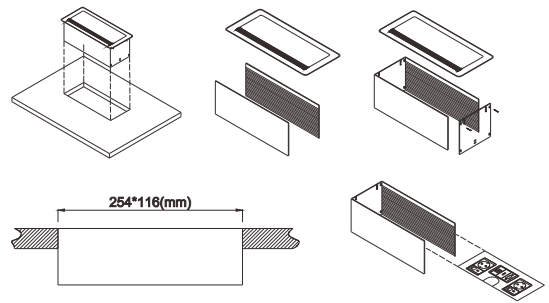


Outline Drawing: Unit:mm

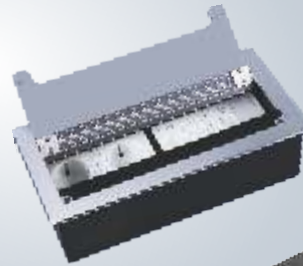


Installation Guide

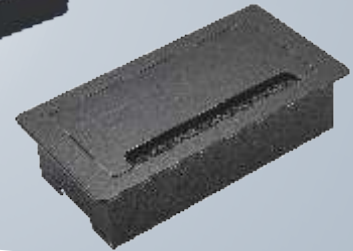
1. Before installation, please tapping the table-board which is asked to install according to related product specification.(unit:mm)
2. Load the function key panel into a base box.
3. Mounting the panel and bottom box
4. Mounting the surrounding bottom box with eight screws
5. Place the product in a pre-opened table top



(Image is for reference only.)
 Package:2 Pcs inner box into a master carton.Poly bag with box packing.



FZ-521-S



FZ-521-B

STS Series
Desktop Socket

Floor Socket

Switch

Accessories

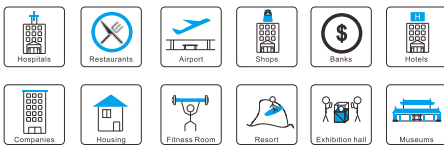
FZ-521 STS Series: Pop up desktop socket

Features:

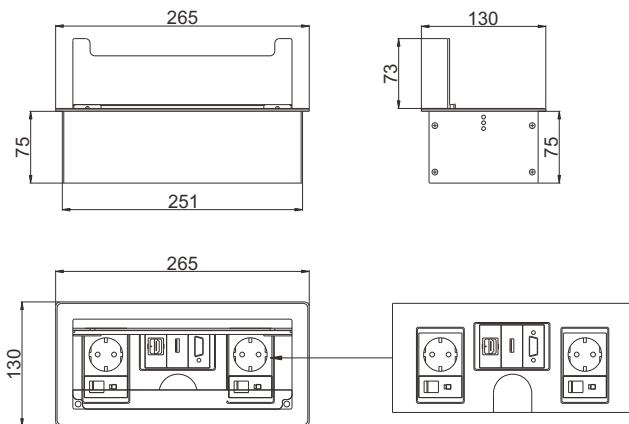
- 1.This hidden structure provides the user with a compact, clean and convenient connectivity solution;
- 2.Made from die-casting aluminum alloy and painted ;
- 3.More plug top clearance:45/90 angle when plug into receptacle;
- 4.With brush to protect cables from scratch;
- 5.Bigger capacity International 45*45mm modules .

Technical Parameters :

Parameter	Description
Panel Material	Aluminum alloy
Wireless charger standard	Electroplated/Painted/Power sprayed
Panel Dimension(mm)	265*130
Cutout(mm)	254*116
Height of product(mm)	75
Bottom box size(mm)	252*114
Bottom box material	Metal
Capacity of modules / Interface size	9 ways 45*45mm modules
Configuration	Power outlet+Data outlet or USB charging : Customized as required
Cable length	1.5m, 2m,2m or required length



Outline Drawing: Unit:mm

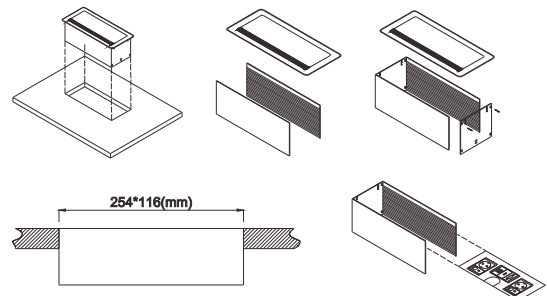


(Image is for reference only.)

Package:2 Pcs inner box into a master carton.Poly bag with box packing.

Installation Guide

- 1.Before installation, please tapping the table-board which is asked to install according to related product specification.(unit:mm)
- 2.Load the function key panel into a base box.
- 3.Mounting the panel and bottom box
- 4.Mounting the surrounding bottom box with eight screws
- 5.Place the product in a pre-opened table top



STS Series Desktop Socket



Kitchen Cabinet

Office Furniture



FZ-526

Floor Socket

Switch

Accessories

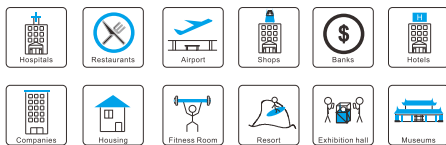
FZ-526 STS Series:Vertically press liftable Socket

Features:

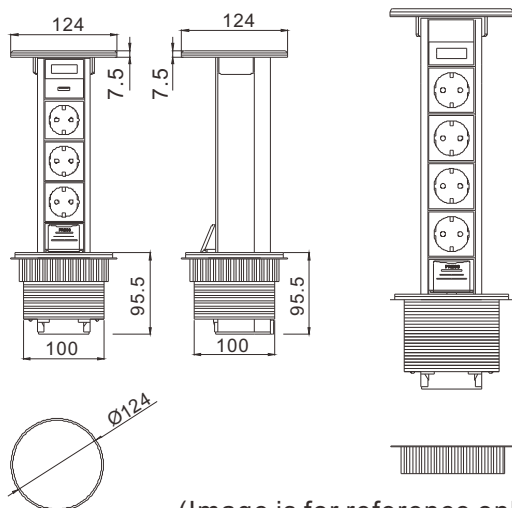
- Upside-down installation:the vertical power bar is hidden under the desktop.
- More plug top clearance:45/90 angle when plug into receptacle;
- Suitably installed into 120mm grommet hole.
- Suitable for desk tops up to 50mm;
- Brass/stainless ,more optional coverplate are optional.
- IP54 waterproof design: Ip54 level in close state and protect from the leakage danger of moisture.

Technical Parameters :

Parameter	Description
Metal die cast top cover	Stainless/Brass
Panel Dimension(mm)	Φ120
Cutout(mm)	Φ95
Dimension of product(mm)	120×252
Capacity of modules / Interface size	8 ways 45*45mm modules
Configuration	Power outlet+Data outlet or USB charging : Customized as required
Cable length	1.5m, 2m,3m or required length
IP Rating	IP 54



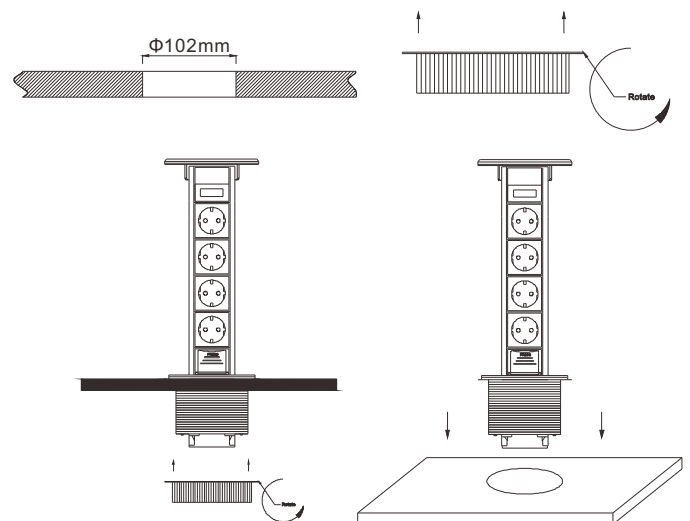
Outline Drawing: Unit:mm



(Image is for reference only.)

Package:6 Pcs inner box into a master carton.Poly bag with box packing.

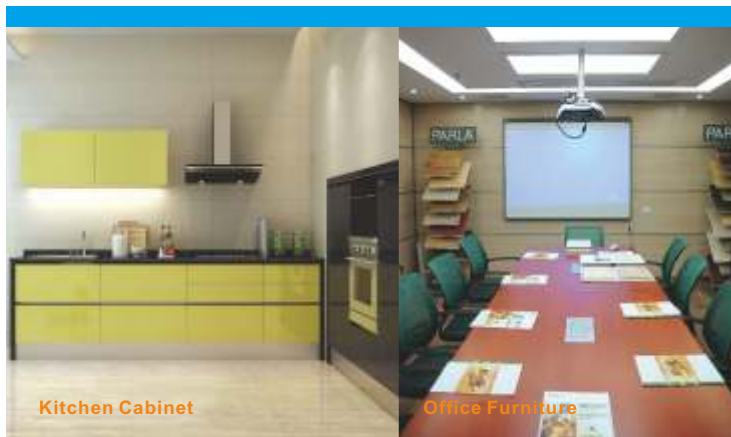
Installation Guide





In accordance with IEC60884/EN60670 Standard

RoHS



FZ-527

STS Series
Desktop Socket

Floor Socket

Switch

Accessories

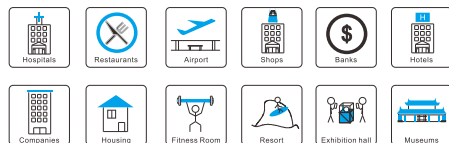
FZ-527 STS Series:Vertically Installation Socket

Features:

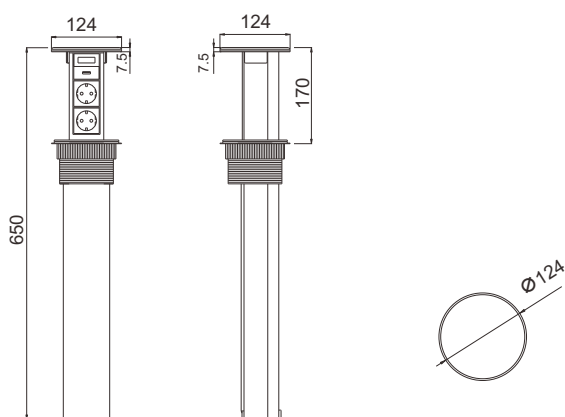
- 1.Application: Office desk, podiums, conference room desktop, Kitchen countertops, book countertops.
- 2.Automatic connect power: press button and automatic connect power
- 3.Suitably installed into 120mm grommet hole.
4. available with Brass/stainless coverplate.
- 5.IP54 level.

Technical Parameters :

Parameter	Description
Panel Material	Stainless/Brass
Panel Dimension(mm)	Φ120
Cutout(mm)	Φ95
Dimension of product(mm)	120×252
Capacity of modules / Interface size	8 ways 45*45mm modules
Configuration	Power outlet+Data outlet or USB charging : Customized as required
Cable length	1.5m, 2m,3m or required length
IP Rating	IP 54



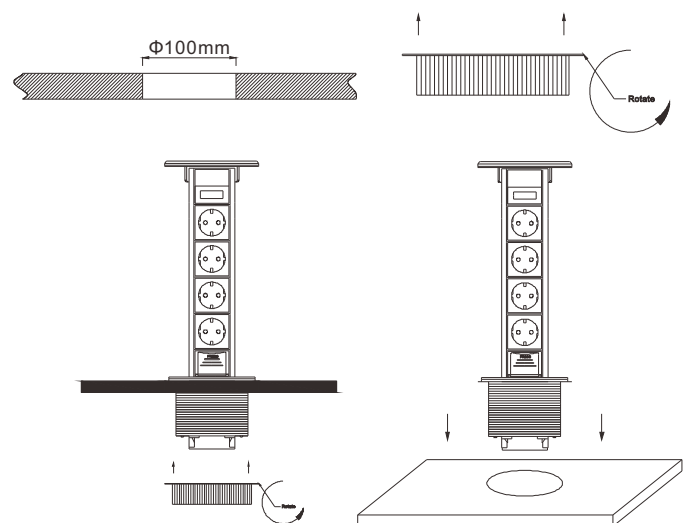
Outline Drawing: Unit:mm



(Image is for reference only.)

Package:6 Pcs inner box into a master carton.Poly bag with box packing.

Installation Guide



STS Series
Desktop Socket



Floor Socket

Switch

Accessories

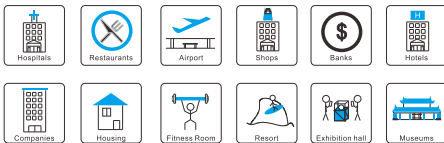
FZ-520 STS Series:Vertically press liftable Socket

Features:

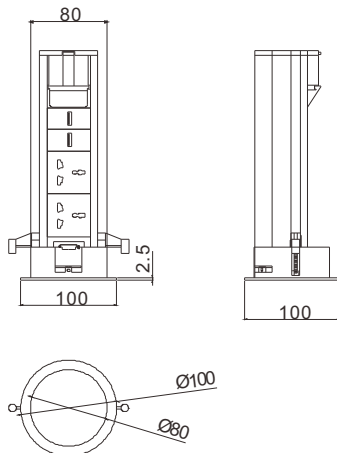
- 1.The unit is then hidden under the desktop, enabling the modules to come out push& pull the opening.
- 2.Enables the connection of 4 to 8 ways 45*45mm modules.
- 3.Simplicity: plastic coverplate with aluminum alloy profile.
- 4.Suitably installed into 80mm grommet hole;

Technical Parameters :

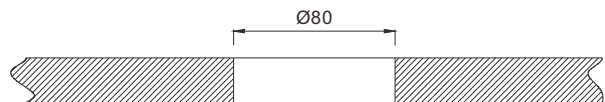
Parameter	Description
Material	Zinc Alloy/Steel
Panel Material	Aluminum alloy/PC plastic
Panel Dimension(mm)	Φ100
Cutout(mm)	Φ80
Dimension of product(mm)	195~330
Capacity of modules	4~10 ways 45*45mm modules
Cable length	1.5m, 2m,3m or required length
Available modules	45*45mm Type series



Outline Drawing: Unit:mm

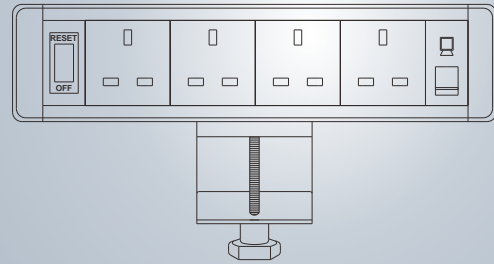


Installation Guide



(Image is for reference only.)

Package:8 Pcs inner box into a master carton.Poly bag with box packing.



STS Series
Desktop Socket

Floor Socket

Switch

Accessories

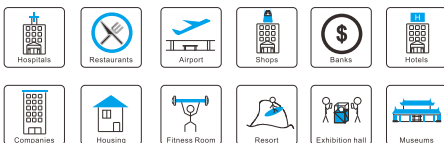
FZ-508 STS Series: Clamped on furniture Socket

Features:

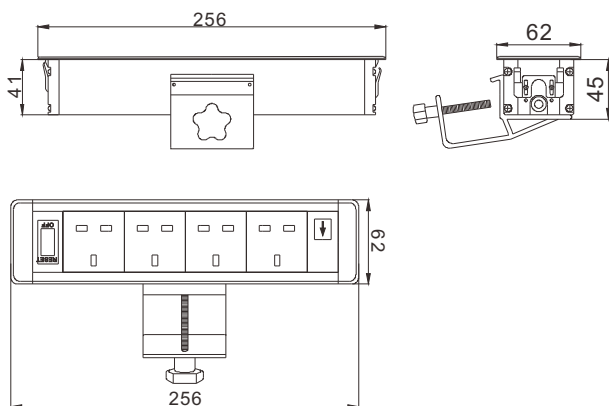
1. Easy for plug, 45 degree of module frame with desk.
2. Easily screw up way fixing;
3. Support wide range of power and data accessories available to meet all requirements;
4. The length of product & cord cable are customized by requirement.

Technical Parameters :

Parameter	Description
Panel Material	Aluminum alloy/steel
Surface finish	Painted/Brushed Oxygenated
Cover Dimension(mm)	433*94*87.5
Width (mm)	91
Capacity of modules / Interface size	8 ways 45*45mm modules
Configuration	Power outlet+Data outlet or USB charging+HDMI+VGA+Audio socket : Customized as required
Cable length	1.5m, 2m,3m or required length
IP Rating	IP Rated 22

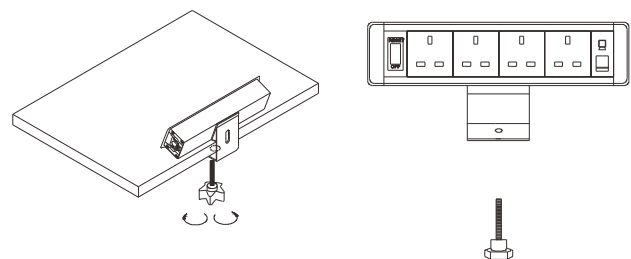


Outline Drawing: Unit:mm



Installation Guide

1. Installing Heavy current/Data systems
2. Interconnection
3. Installing the product to table Tightening by five-star wrench



(Image is for reference only.)
Package: Poly bag with box packing.



In accordance with IEC60884/EN60670 Standard

RoHS



STS Series Desktop Socket

Floor Socket

Switch

Accessories



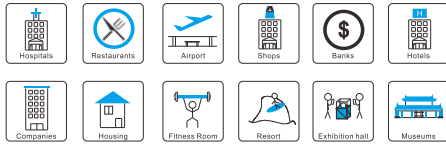
FZ-TB-B STS Series: Mounted on /clamped on Furniture Socket

Features:

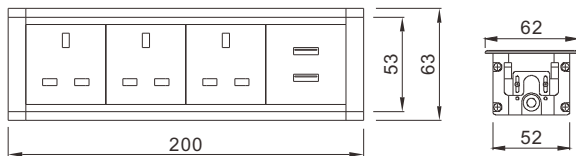
1. Mounted on screens or furniture socket.
2. Easy for plug, 45 degree angle of modules frame as desk.
3. Support wide range of power and data accessories available to meet all requirements;
4. The length of product & cord cable are customized by requirement.

Technical Parameters :

Parameter	Description
Panel Material	Aluminum alloy/steel
Surface finish	Painted/Brushed Oxygenated
Capacity of modules	45*45mm modules
Cable length	1.5m, 2m,3m or required length
Available modules	2 power socket+dual port USB charger 2.1A
Plug and cable wire	GST 3 pole socket or power plug cable

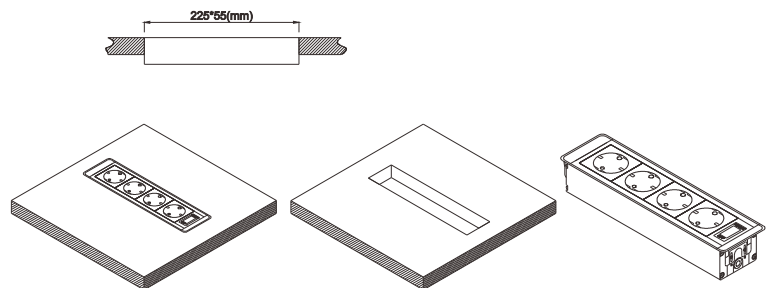


Outline Drawing: Unit:mm



Installation Guide

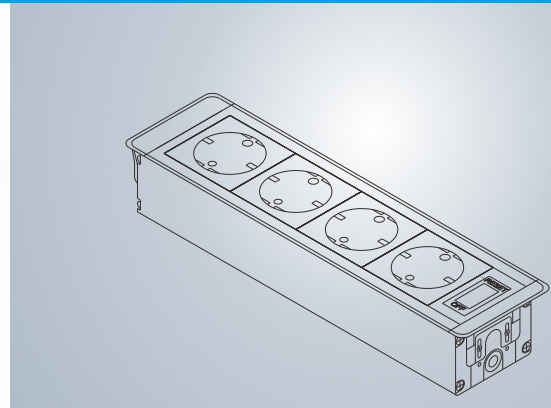
1. First, make holes in the table according to the appropriate size
2. Put the product into the cutting hole.



(Image is for reference only.)
Package: Poly bag with box packing.



Wall mounting facility is optional



STS Series
Desktop Socket

Floor Socket

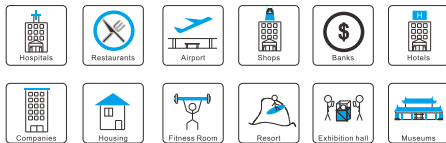
Switch

Accessories

FZ-507 STS Series: Underdesk/ Wall mounted Furniture Socket

Features:

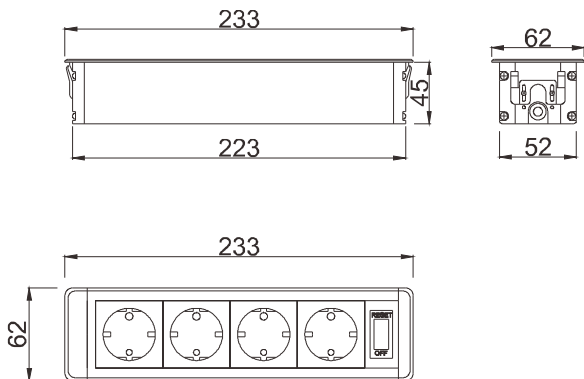
1. Double function switch combine indicator and control
2. Support wide range of power and data accessories available to meet all requirements;
3. The length of product & cord cable are customized by requirement.
4. Wall mounting facility is optional



Technical Parameters :

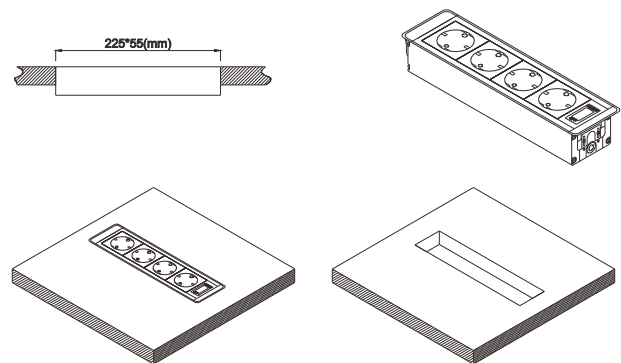
Parameter	Description
Panel Material	Aluminum alloy/steel
Surface finish	Painted/Brushed Oxygenated
Power bar Dimension(mm)	233*62
Base box (mm)	223*52*45
Capacity of modules / Interface size	Max.8 ways 45*45mm modules
Configuration	Power outlet+Data outlet or USB charging+HDMI+VGA+Audio socket : Customized as required
Cable length	1.5m, 2m,3m or required length
Available modules	45*45mm Type series

Outline Drawing:



Installation Guide

1. First, make holes in the table according to the appropriate size
2. Put the product into the cutting hole.



(Image is for reference only.)
Package: Poly bag with box packing.

STS Series Desktop Socket



Floor Socket

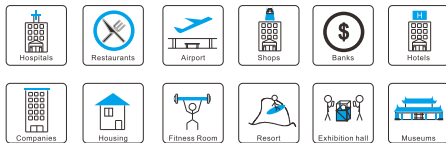
Switch

Accessories

FZ-525 STS Series: Office Furniture Socket

Features:

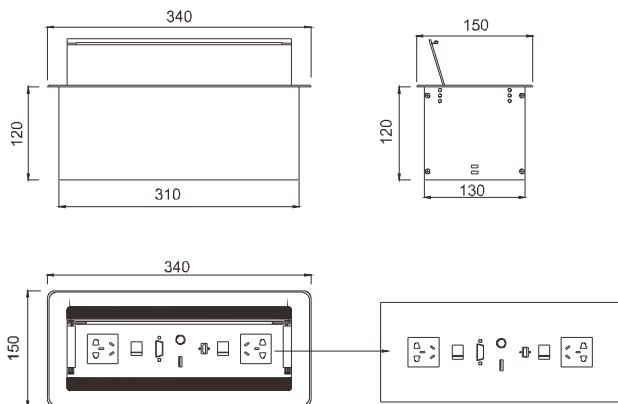
1. This hidden structure provides the user with a compact, clean and convenient connectivity solution;
2. Made from die-casting aluminum alloy and painted or oxidized;
3. Dual open side of coverplate;
4. With brush to protect cables from scratch.



Technical Parameters :

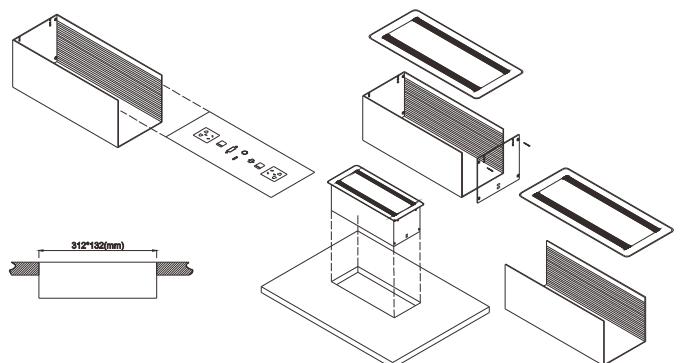
Parameter	Description
Panel Material	Aluminum alloy
Panel Dimension(mm)	340x150
Cutout(mm)	310x132
Height of product(mm)	116
Bottom box size(mm)	280*110*95
Bottom box material	Plastic
Capacity of modules / Interface size	8 ways 45*45mm modules
Configuration	Power outlet+Data outlet or USB charging: Customized as required
Cable length	IP Rated 22
IP Rating	1.5m, 2m,2m or required length

Outline Drawing: Unit:mm



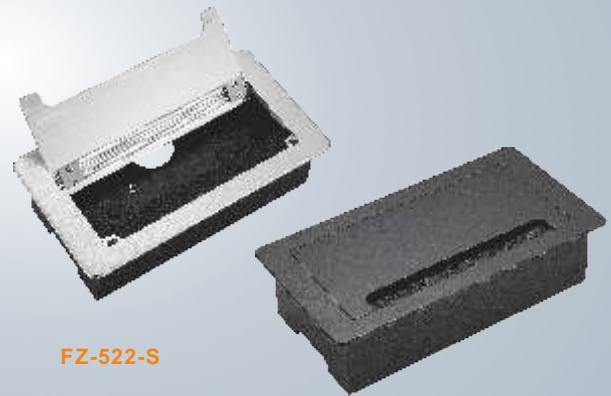
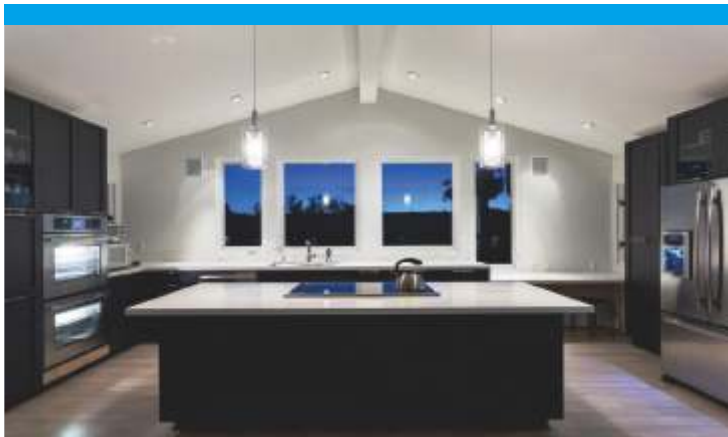
Installation Guide

1. Before installation, please tapping pore on the table-board which is asked to install according to related product specification.(unit:mm)
2. Load the function key panel into a base box.
3. Mounting the panel and bottom box
4. Mounting the surrounding bottom box with eight screws
5. Place the product in a pre-opened table top



(Image is for reference only.)

Package:2 Pcs inner box into a master carton.Poly bag with box packing.



FZ-522-S

FZ-522-B

STS Series
Desktop Socket

Floor Socket

Switch

Accessories

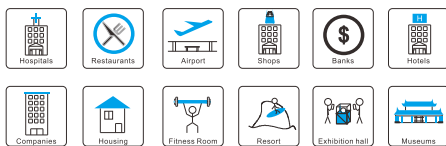
FZ-522-B/S STS Series: Office Furniture Socket

Features:

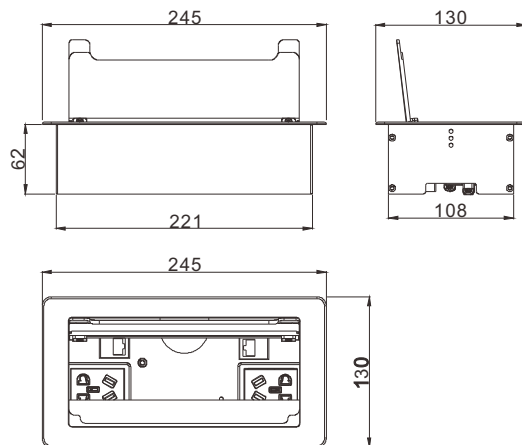
1. This hidden structure provides the user with a compact, clean and convenient connectivity solution;
2. Made from die-casting aluminum alloy and painted ;
3. Manually open with slower flip up from single side;
4. With brush to protect cables from scratch;
5. Bigger capacity:9 ways International 45*45mm modules.

Technical Parameters :

Parameter	Description
Panel Material	Aluminum alloy
Surface finish	Electroplated/Painted/Power sprayed
Panel Dimension(mm)	245*130
Cutout(mm)	223*110
Bottom box size(mm)	221*108
Bottom box material	ABS Plastic
Capacity of modules / Interface size	9 ways 45*45mm modules
Configuration	Power outlet+Data outlet or USB charging: Customized as required
Cable length	1.5m, 2m,2m or required length



Outline Drawing: Unit:mm

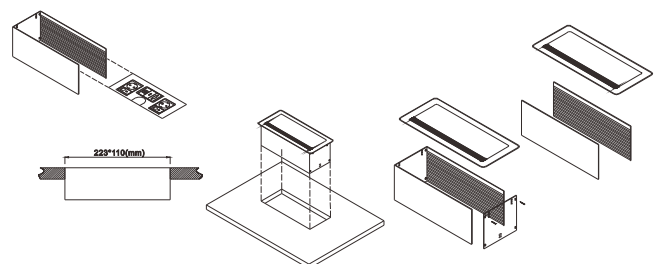


(Image is for reference only.)

Package:2 Pcs inner box into a master carton.Poly bag with box packing.

Installation Guide

- 1.Remove the panel from the bottom box along with the electrical modules.
- 2.Fix the flooring with spare screws on the bottom box and place it in the embedded hole.
- 3.The flooring surface shall be at least level with the ground or 20mm below the ground.
- 4.Remove flooring surface ,Insert the 10--12mm lead head into the terminal of floor box.
- 5.Fix the panel to the bottom box with screws.



STS Series Desktop Socket



FZ-528-S



FZ-528-B

Floor Socket

Switch

Accessories

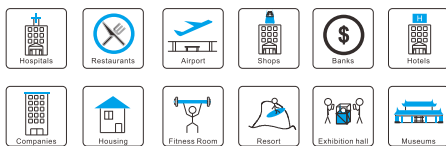
FZ-528-B/S STS Series: Office Furniture Socket

Features:

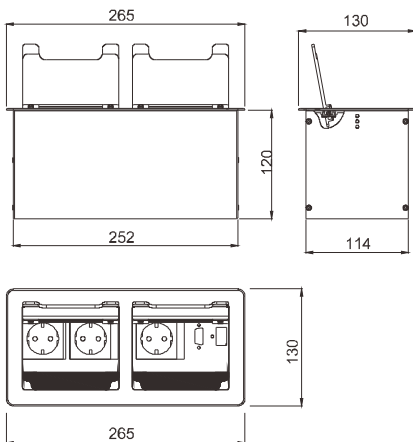
1. This hidden structure provides the user with a compact, clean and convenient connectivity solution;
2. Made from die-casting aluminum alloy and painted ;
3. Manually open with slower flip up from single side;
4. With brush to protect cables from scratch;
5. Bigger capacity:8 ways International 45*45mm modules.

Technical Parameters :

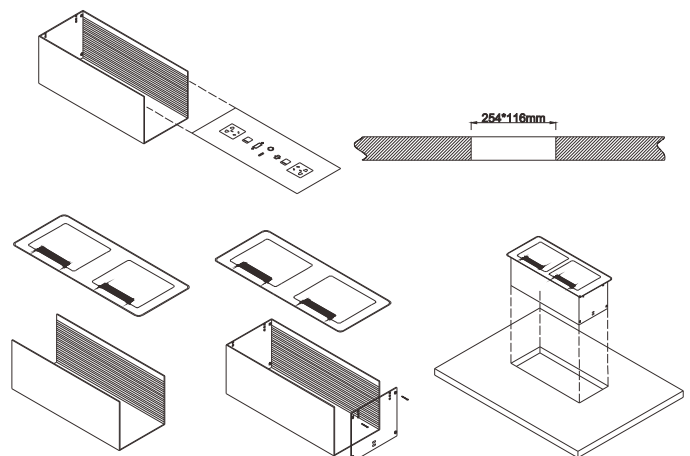
Parameter	Description
Panel Material	Aluminum alloy
Surface finish	Electroplated/Painted/Power sprayed
Panel Dimension(mm)	265*130
Cutout(mm)	254*116
Bottom box size(mm)	252*114
Bottom box material	ABS Plastic
Capacity of modules / Interface size	8 ways 45*45mm modules
Configuration	Power outlet+Data outlet or USB charging: Customized as required
Cable length	1.5m, 2m,2m or required length



Outline Drawing: Unit:mm



Installation Guide



(Image is for reference only.)

Package:2 Pcs inner box into a master carton.Poly bag with box packing.



STS Series
Desktop Socket

Floor Socket

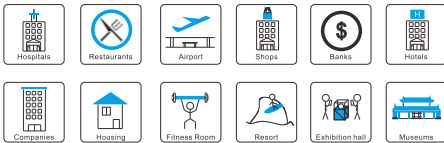
Switch

Accessories

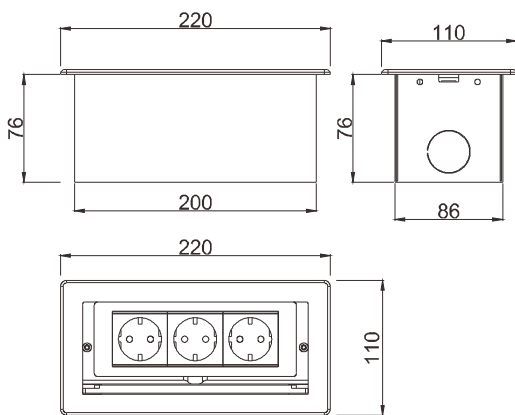
FZ-536 STS Series: Office Furniture Socket

Features:

1. Open hidden structure: Open coverplate when used and the plate is embedded into socket body inside.
2. With plastic bottom boxes;
3. Bigger capacity: 6 ways international 45×45mm modules.



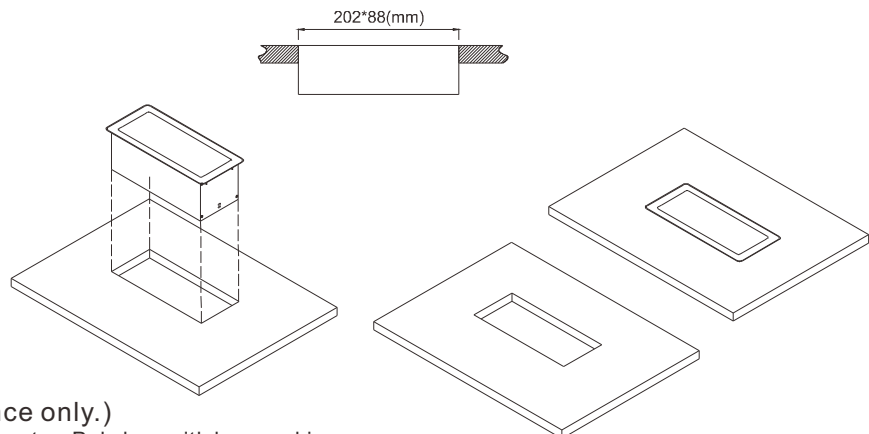
Outline Drawing: Unit:mm



Technical Parameters :

Parameter	Description
Panel Material	Aluminum alloy
Surface finish	Electroplated/Painted/Power sprayed
Panel Dimension(mm)	220*110
Cutout(mm)	201*90
Bottom box size(mm)	200*86*76
Bottom box material	Plastic
Capacity of modules / Interface size	6 ways
Configuration	Power outlet+Data outlet or USB charging; Customized as required
Cable length	1.5m, 2m,2m or required length
Available modules	45*45mm Type series

Installation Guide



(Image is for reference only.)

Package: 18 Pcs inner box into a master carton.Poly bag with box packing.

STS Series
Desktop Socket



Floor Socket

Switch

Accessories

FZ-561

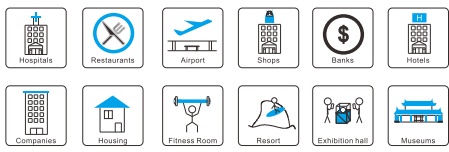
STS Series: Rotated flush-mounting desk socket

Features:

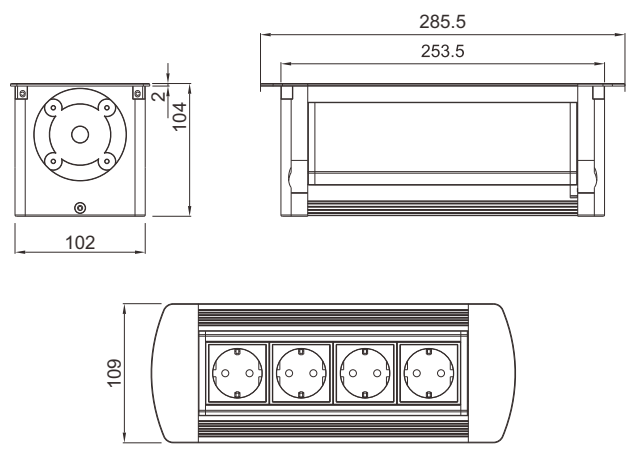
- 1.Application to furniture, conference tables,workstations, hotel room, healthcare settings, training and educational applications
- 2.In the closed position, the socket is flush with furniture and prevent accidental spillage of fluids into electrical socket/outlets;
- 3.The socket will rotate to the open position to facilitate installation of the unit;

Technical Parameters :

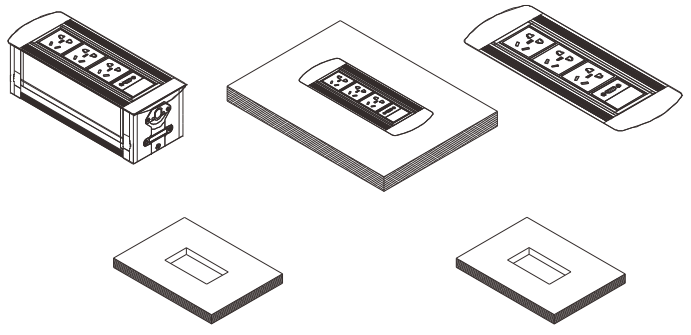
Parameter	Description
Panel Material	Aluminum alloy+PC
Panel Dimension(mm)	405*110*103
Capacity of modules / Interface size	10 ways 45*45mm modules
Cable length	1 M cord with chuko standard plug; This configurations and length of wire is customization
Electrical rating	220V/50HZ or 120V/60HZ



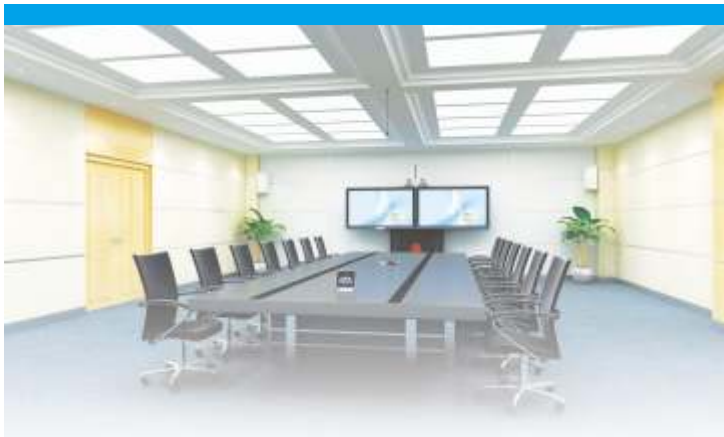
Outline Drawing: Unit:mm



Installation Guide



(Image is for reference only.)
Package:Poly bag with box packing.



STS Series
Desktop Socket

Floor Socket

Switch

Accessories

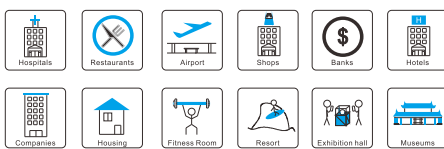
FZ-501 STS Series:Grommets

Features:

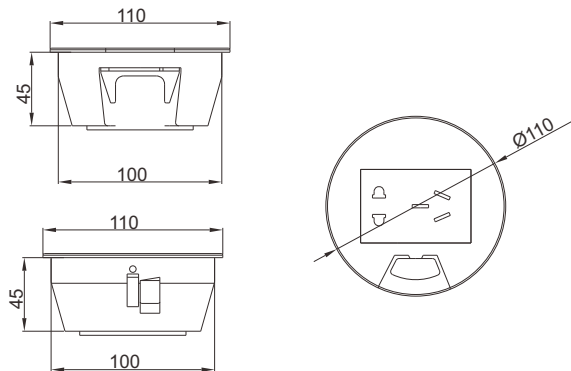
- 1.Application: Used as a conduit to interconnect the undertable cable collect system to desktop surface, cable travel through the grommet to desk;
2. Removable cable openings, different cable/fiber patch cord can easy fit through grommets.
3. Cable mouth size from 12~40mm.
- 4.Easy-die cut: round shape to die cut hole, save labor cost.
5. Complete grey flame retardant ABS construction.

Technical Parameters :

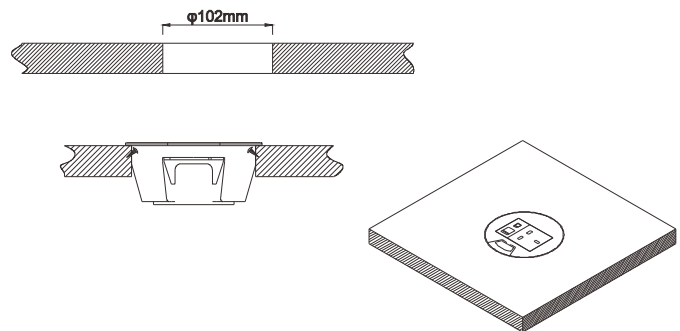
Parameter	Description
Bottom box Material	Engineering PC
Panel Dimension(mm)	Ø110
Cutout(mm)	Ø102
Base box dimension	Ø110*45
Capacity of modules	With 1* power outlet+dual port USB charger 2.1A
Available Structure	Round/ Without coverplate/ Concealed installation
Available Modules	Type 45



Outline Drawing: Unit:mm



Installation Guide



(Image is for reference only.)

Package: 18 Pcs inner box into a master carton.Poly bag with box packing.

STS Series
Desktop Socket



Floor Socket

Switch

Accessories

FZ-PFB01

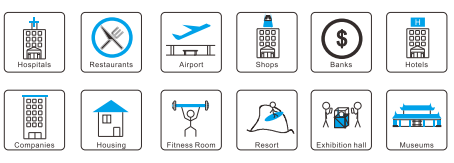
STS Series: Junction Box/Power Box/Ground Tank

Features:

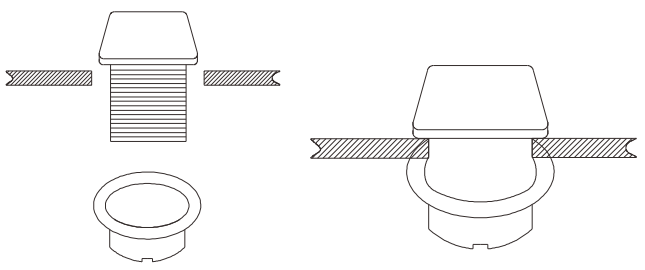
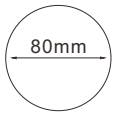
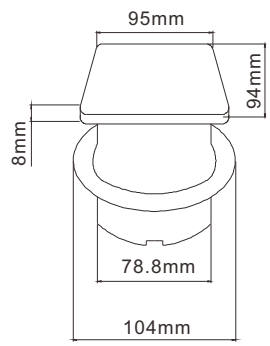
- 1.Application: Embedded in Sofa or table furniture;
- 2.IP44 protection level;
- 3.Slide coverplate surface finish by Power painting;
- 4.With two power outlet+dual port USB charger

Technical Parameters :

Parameter	Description
Panel Material	PC
Bottom box Material	Enginning PC
Panel Dimension(mm)	95*94
Cutout(mm)	Ø80
Capacity of modules	With two power outlet+dual port USB charger 2.1A
Cable length	1,2 Mts cable 100% cooper with plug is optional



Outline Drawing: Unit:mm



Installation Guide

- 1.Cut out $\phi 80$ mm.
- 2.Rotate the mounting ring thread first and remove it.
- 3.Put the product into the opened hole.
- 4.Rotate and tighten the mounting ring thread and secure the product to the table.

(Image is for reference only.)
Package:Poly bag with box packing.



Desktop Socket

MCS Series Floor Socket

Switch

Accessories

FZ-531A/B MCS Series: Mini-columns

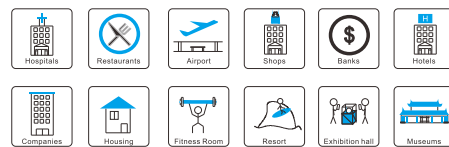
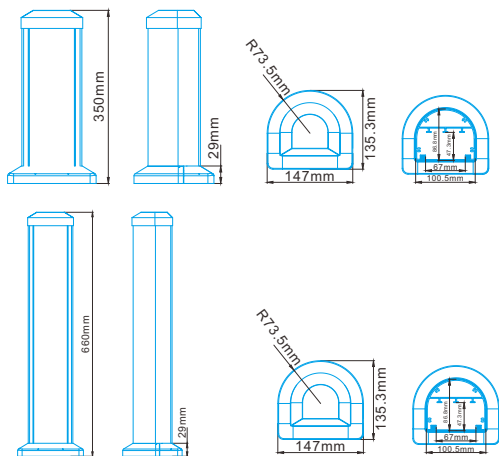
Features:

- 1.Installation mobility:** The columns are secured by pressure on the floor. It is very easy to reconfigure the distribution of workplaces.
- 2.Compact:** Aluminum alloy mini-columns are supplied all necessary materials for installation: foot for floor attachment, top and side covers and fastenings.
- 3.Height Customization:** 350/660mm height is customization.
- 4.1 Side power supply:** Easy to plug.

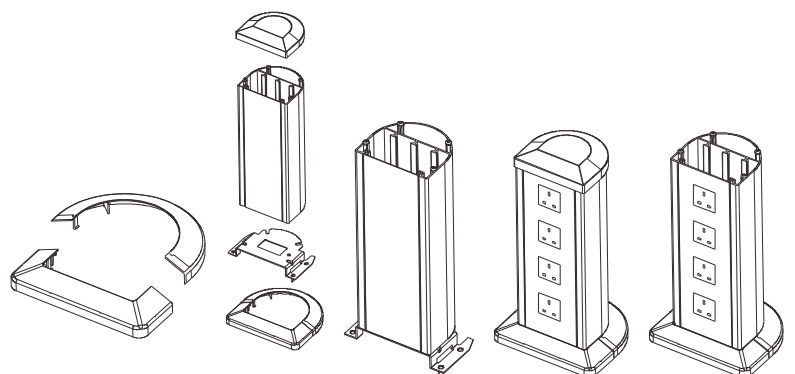
Technical Parameters :

Parameter	Description
Item	FS-531A/B
Power supply side	Single side
Panel Material	Aluminum alloy(6061)
Height of product(mm)	350 for FZ-531A
Height of product(mm)	660 for FZ-531B
Dimension (mm)	R73.5*147*135.3
Capacity of modules	8/16 ways 45*45mm modules
IP Rating	IP Rated 22

Outline Drawing: Unit:mm



Installation Guide



(Image is for reference only.)

Package:6 Pcs inner box into a master carton.Poly bag with box packing.

STS Series
Desktop Socket



Floor Socket

Switch

Accessories

FZ-532A/B

MCS Series: Mini-columns

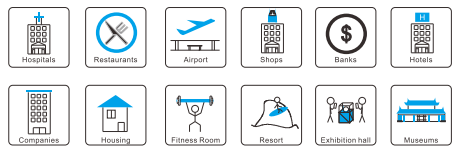
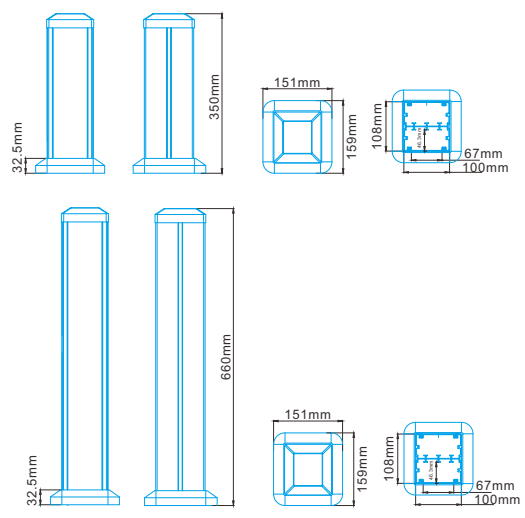
Features:

- 1. Installation mobility:** The columns are secured by pressure on the floor. It is very easy to reconfigure the distribution of workplaces.
- 2. Compact:** Aluminum alloy mini-columns are supplied all necessary materials for installation: foot for floor attachment, top and side covers and fastenings.
- 3. Height Customization:** 350/660mm height is customization.
- 4.2 Side (Rear face& front face) power supply:** Easy to plug.

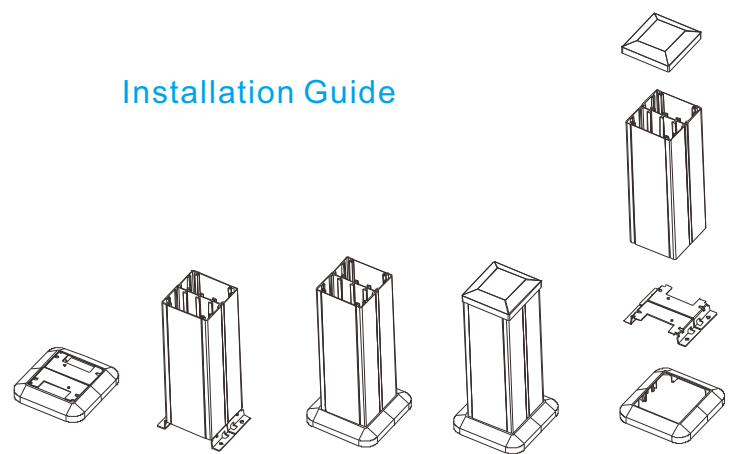
Technical Parameters :

Parameter	Description
Item	FS-532A/B-D
Power supply side	Two side
Panel Material	Aluminum alloy(6061)
Height of product(mm)	350 for FZ-532A
Height of product(mm)	660 for FZ-532B
Dimension (mm)	R73.5*147*135.3
Capacity of modules	8/16 ways 45*45mm modules
IP Rating	IP Rated 22

Outline Drawing: Unit:mm

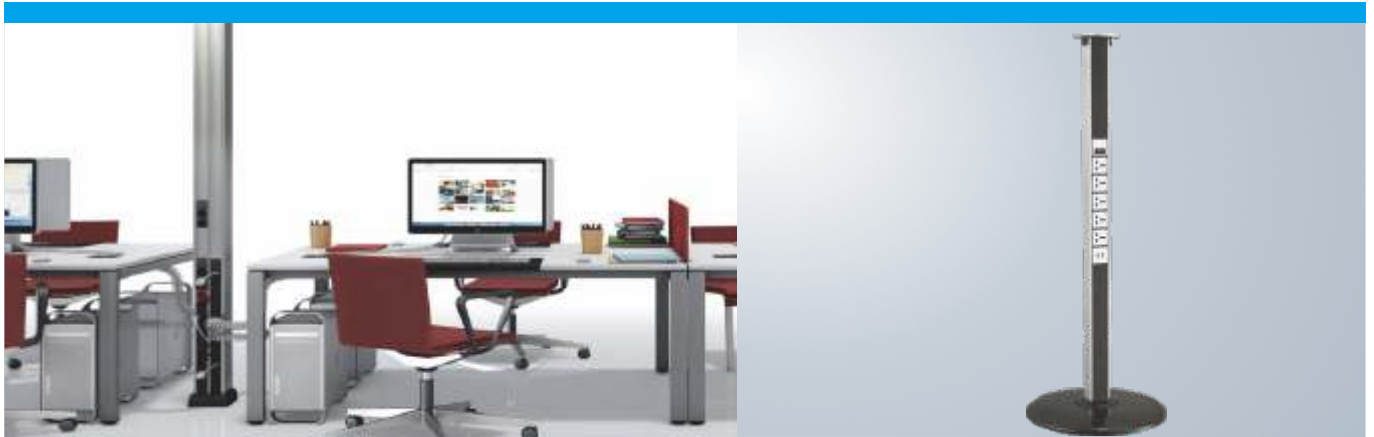


Installation Guide



(Image is for reference only.)

Package:6 Pcs inner box into a master carton.Poly bag with box packing.



Desktop Socket

MCS Series Floor Socket

Switch

Accessories

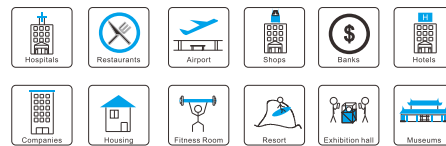
FZ-551 MCS Series: Mini-columns with metal coverplate and heavy base

Features:

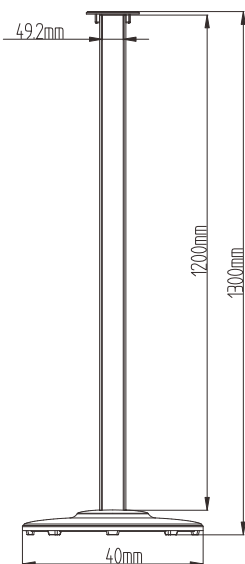
- 1.Installation mobility:** The columns are secured by pressure on the floor. It is very easy to reconfigure the distribution of workplaces.
- 2.Compact:** Aluminum alloy mini-columns are supplied all necessary materials for installation: foot for floor attachment, top and side covers and fastenings.
- 3.Height Customization:** 1300mm height is customization.
- 4.1 Side power supply:** Easy to plug.
5. With stainless/brass metal coverplate;
6. With bigger round base, more stable.

Technical Parameters :

Parameter	Description
Power supply side	Single side
Panel Material	Aluminum alloy(6061)
Height of product(mm)	1300 for FZ-551
Available modules	(45*45/45*22.5)mm Type series

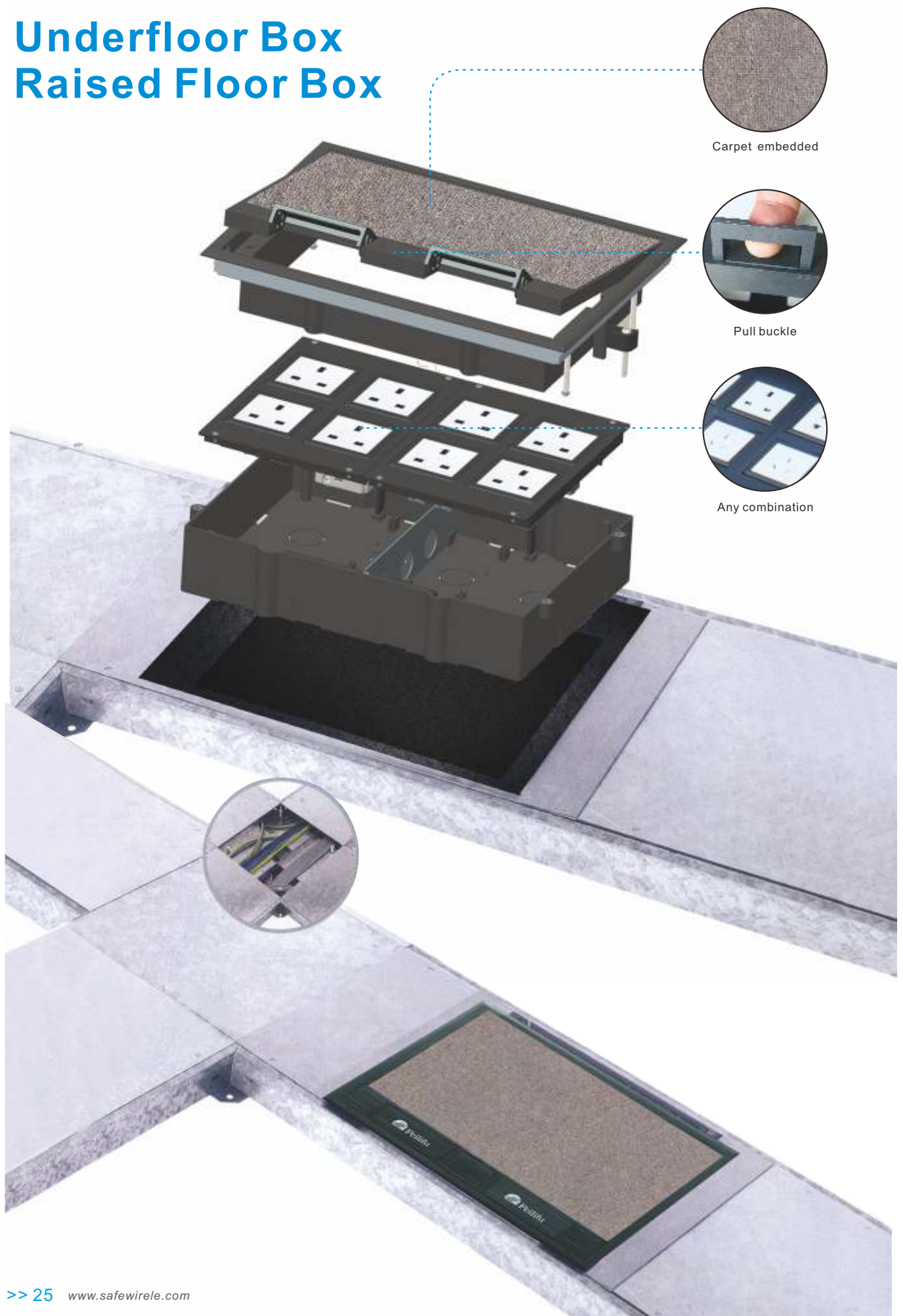


Outline Drawing: Unit:mm



(Image is for reference only.)
Package:Poly bag with box packing.

Underfloor Box Raised Floor Box



Features



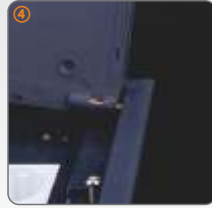
Self Closing Lid



Rotating Ladder



Improved Handle



Removable Coverplate



Adjustable Height



Optional Cover Plate

More Optional Switch & Socket Choice



120 Switch Board



86 Switch Board



86 Type Compartment



45*45mm Modules



Side-mounting 86 Board

More Optional installation

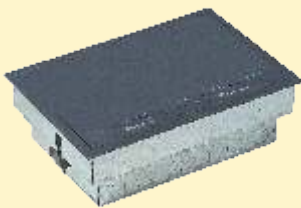


Horizontal



Side-mounting

More Optional Under Floor Box For Concrete Floor / Raised Floor

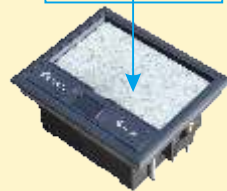


Galvanized steel



Plastic Bottom Box

More Optional Surface



Cover middle with 8mm concavity
Concave side can be filled with flooring.

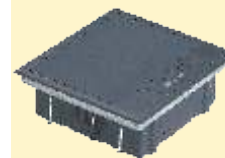


Installed on carpet

More Optional Coverplate



HTD-XXXAS
Cover middle can be filled



HTD-XXXSS
Filled with Plastic plate



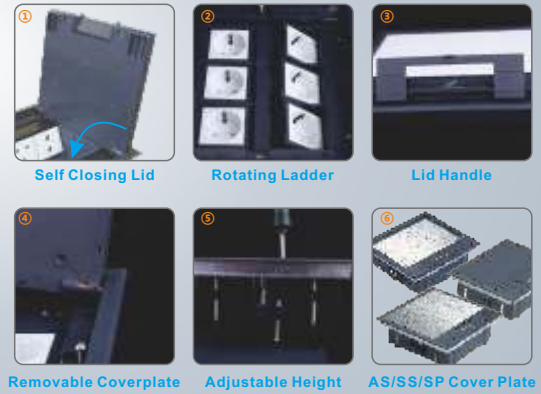
HTD-XXXSP
Filled with SUS plate

Desktop Socket

SCF Series Floor Socket

Switch

Accessories



HTD-622AS/SS/SP

SCF Series: Raised/Concrete /Trunking system floor box

Features:

- 1.Optional floor:Applicable for access and concrete floor
- 2.Safety lid:Frame &lid from ABS plastic ,static pressure over 1000N.
- 3.Protected opening system: Easy grip recessed lifting handle.
- 4.Fast- installation:Clip fixing of plastic frame & receptacle and Data .
- 5.Cavity of floor: 8mm and lid is overlapping the edge of the floor.
- 6.Adjustable height of bottom box:76~111mm.

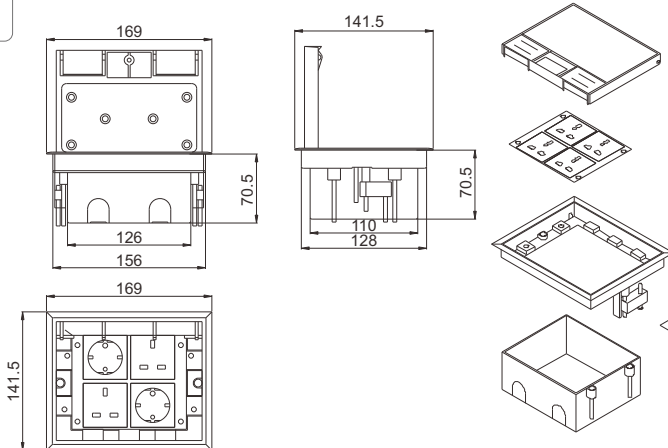
Remark: For concrete floor:
To be with additional metal box item#BG-HTD622

Technical Parameters :

Parameter	Description
Color	Grey,Black
Material	ABS, galvanized steel
Overall Frame & Lid (mm)	169*141.5
Compact floor cut-out(mm)	156*128
Thickness of concavity/	8
Frame lid recess (mm)	
Installation depth(mm)	76~111
Plug top clearance(mm)	14~48
Available outlet accessories	8 ways Mosaic 45*45mm modules



Outline Drawing: Unit:mm

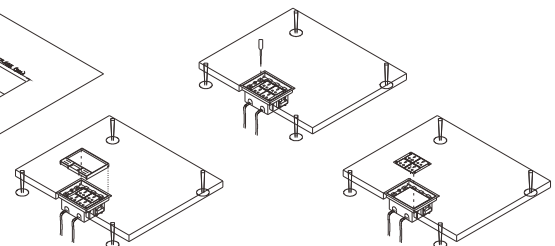


(Image is for reference only.)

Package: 12 Pcs inner box into a master carton.Poly bag with box packing.

Installation Guide

- 1.Floor box(For concrete floor)
- 2.Steel armored conduit(For trunking system/Access floor).
- 3.Put under floor box into cut out and adjust height (For raised floor) .
- 4.Installing Heavy current/Data systems
- 5.Connecting and earthing.
- 6.Assembly and plug into underfloor box.
- 7.Single outlet





Desktop Socket

SCF Series Floor Socket

Switch

Accessories

HTD-624AS/SS/SP-45 SCF Series: Raised/Concrete /Trunking system floor box

Features:

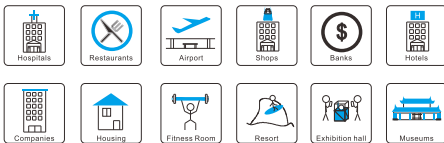
- 1.Optional floor:Applicable for access and concrete floor
- 2.Safety lid:Frame &lid from ABS plastic ,static pressure over 1000N.
- 3.Protected opening system: Easy grip recessed lifting handle.
- 4.Fast- installation:Clip fixing of 45*45mm frame & receptacle and Data .
- 5.Cavity of floor: 8mm and lid is overlapping the edge of the floor.
- 6.Adjustable height of bottom box:76~111mm.

Remark: For concrete floor:

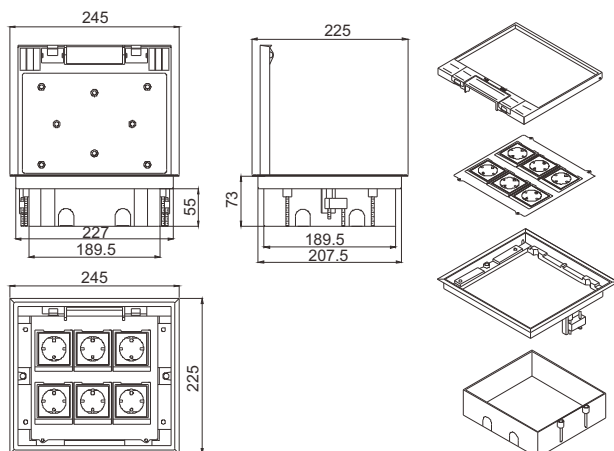
To be with additional metal box item#BG-HTD622

Technical Parameters :

Parameter	Description
Color	Grey,Black
Material	ABS, galvanized steel
Overall Frame & Lid (mm)	245*225
Compact floor cut-out(mm)	228*208
Thickness of concavity/	8
Frame lid recess (mm)	
Installation depth(mm)	76~111
Plug top clearance(mm)	13~48
Available outlet accessories	12 ways Mosaic 45*45mm modules

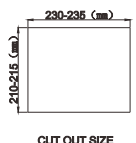
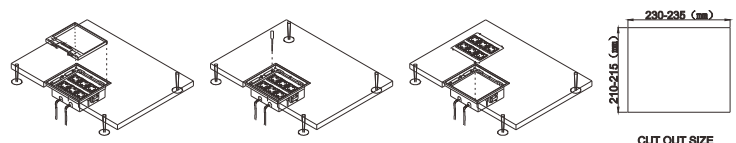


Outline Drawing: Unit:mm



Installation Guide

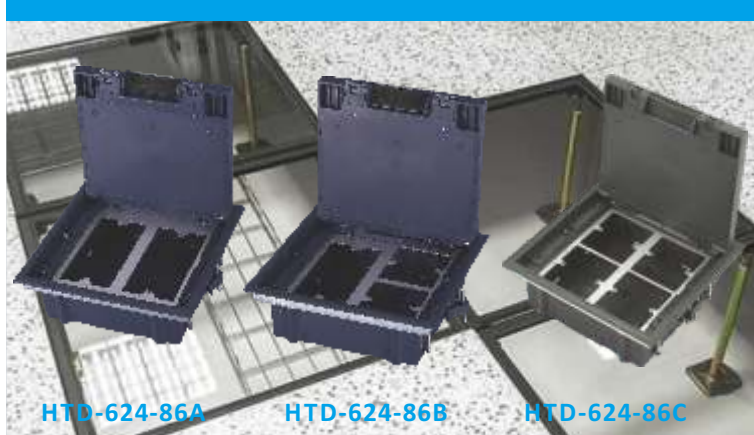
- 1.Remove the panel from the bottom box along with the electrical modules.
- 2.Fix the flooring with spare screws on the bottom box and place it in the embedded hole.
- 3.The flooring surface shall be at least level with the ground or 20mm below the ground.
- 4.Remove flooring surface ,Insert the 10--12mm lead head into the terminal of floor box.
- 5.Fix the panel to the bottom box with screws.



(Image is for reference only.)

Package: 12 Pcs inner box into a master carton.Poly bag with box packing.

Desktop Socket



SCF Series Floor Socket

HTD-624AS/SS/SP-86 SCF Series: Raised/Concrete /Trunking system floor box

Features:

- 1.Optional floor:Applicable for access and concrete floor
- 2.Safety lid:Frame &lid from ABS plastic ,static pressure over 1000N.
- 3.Protected opening system: Easy grip recessed lifting handle.
- 4.BS standard receptacle: screw fixing of two* twins 86 type or 4* 86*86 switch socket bridge accessories.
- 5.Cavity of floor: 8mm and lid is overlapping the edge of the floor.
- 6.Adjustable height of bottom box:76~111mm.

Remark: For concrete floor:
To be with additional metal box item#BG-HTD624

Technical Parameters :

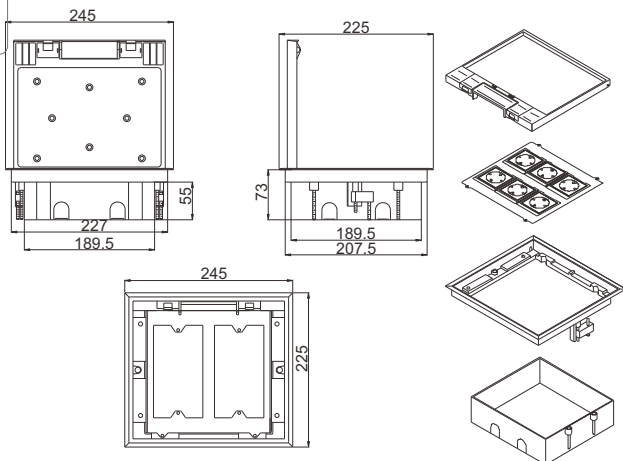
Parameter	Description
Color	Grey,Black
Material	ABS, galvanised steel
Overall Frame & Lid (mm)	245*225
Compact floor cut-out(mm)	228*208
Thickness of concavity/	8
Frame lid recess (mm)	
Installation depth(mm)	76~111
Plug top clearance(mm)	13~48
Available receptacle	two* twins 86 type or 4* 86*86 switch socket

Switch

Accessories

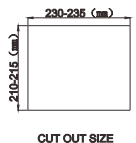
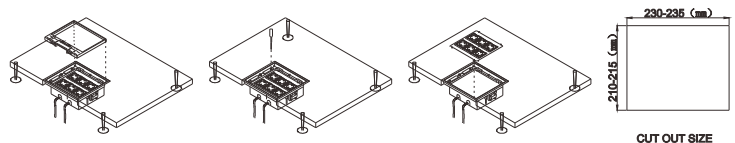


Outline Drawing: Unit:mm



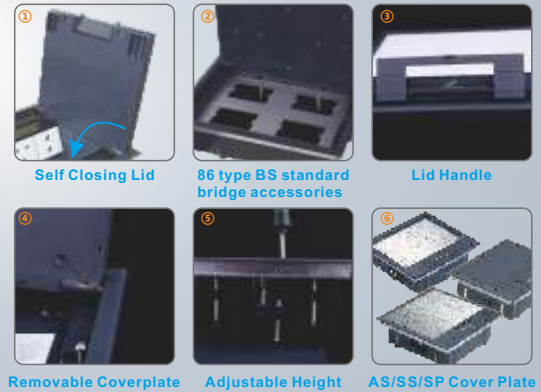
Installation Guide

- 1.Remove the panel from the bottom box along with the electrical modules.
- 2.Fix the flooring with spare screws on the bottom box and place it in the embedded hole.
- 3.The flooring surface shall be at least level with the ground or 20mm below the ground.
- 4.Remove flooring surface ,Insert the 10--12mm lead head into the terminal of floor box.
- 5.Fix the panel to the bottom box with screws.



(Image is for reference only.)

Package: 12 Pcs inner box into a master carton.Poly bag with box packing.



Desktop Socket

SCF Series Floor Socket

Switch

Accessories

HTD-624AS/SS/SP-120 SCF Series: Raised/Concrete /Trunking system floor box

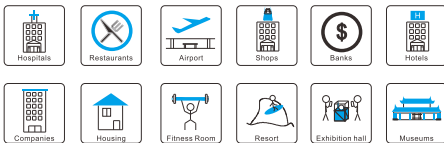
Features:

- 1.Optional floor:Applicable for access and concrete floor
- 2.Safety lid:Frame &lid from ABS plastic ,static pressure over 1000N.
- 3.Protected opening system: Easy grip recessed lifting handle.
- 4.BS standard receptacle: screw fixing of 4* 120 type socket bridge accessories.
- 5.Cavity of floor: 8mm and lid is overlapping the edge of the floor.
- 6.Adjustable height of bottom box:76~111mm.

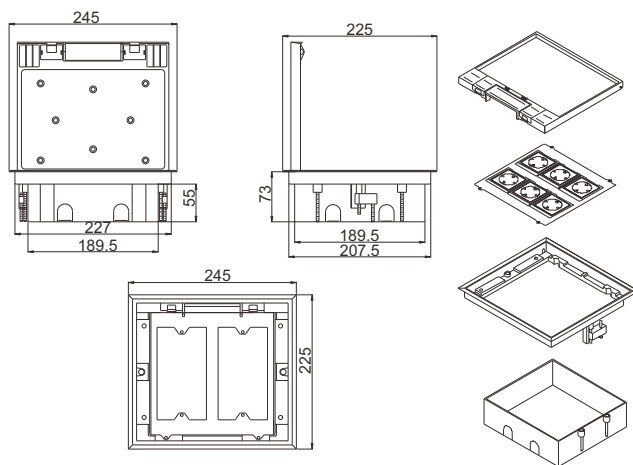
Remark: For concrete floor:
To be with additional metal box item#BG-HTD624

Technical Parameters :

Parameter	Description
Color	Grey,Black
Material	ABS, galvanised steel
Overall Frame & Lid (mm)	245*225
Compact floor cut-out(mm)	228*208
Thickness of concavity/	8
Frame lid recess (mm)	
Installation depth(mm)	76~111
Plug top clearance(mm)	13~48
Available modules	4* 120 type switch socket

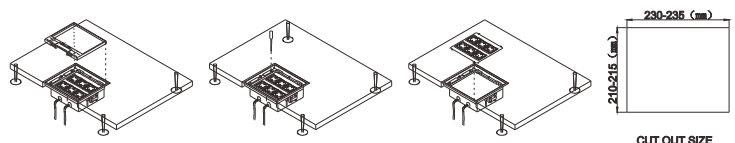


Outline Drawing: Unit:mm



Installation Guide

- 1.Remove the panel from the bottom box along with the electrical modules.
- 2.Fix the flooring with spare screws on the bottom box and place it in the embedded hole.
- 3.The flooring surface shall be at least level with the ground or 20mm below the ground.
- 4.Remove flooring surface ,Insert the 10--12mm lead head into the terminal of floor box.
- 5.Fix the panel to the bottom box with screws.



(Image is for reference only.)

Package: 12 Pcs inner box into a master carton.Poly bag with box packing.

Desktop Socket

SCF Series Floor Socket

Switch

Accessories



HTD-624B

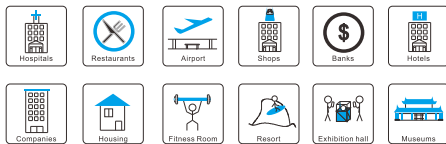
SCF Series: Raised/Concrete/Trunking system floor box

Features:

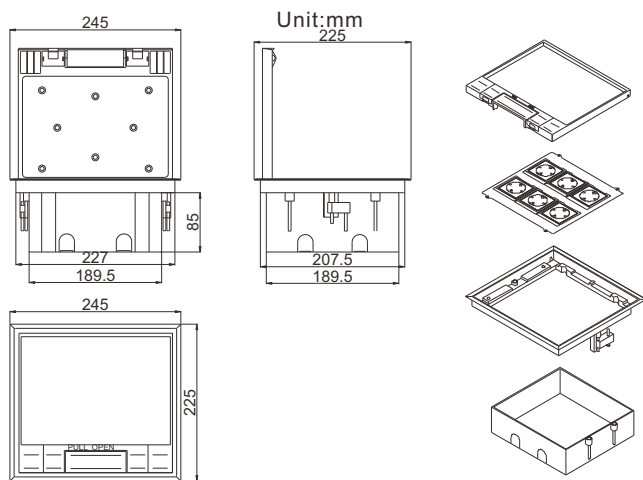
1. BS switch socket accessories: optional two 86*146 type twins switch socket compartments or four 86*86 type switch socket.
2. More plug top clearance: side-mounting installation of switch socket.
3. Protect opening system: Easy grip recessed lifting handle and only be opened by pulling both opening clips at the same time. The clips of floor boxes are self-positioning and secure the fastening.
4. More higher galvanized steel box: 85mm height.

Technical Parameters :

Parameter	Description
Color	Grey,Black
Material	ABS, galvanised steel
Overall Frame & Lid (mm)	245*225
Compact floor cut-out(mm)	213*233
Thickness of concavity/	8
Frame lid recess (mm)	
Installation depth(mm)	85
Plug top clearance(mm)	13~48
Available outlet modules	side-mounting 4 gang 86*86 switch socket

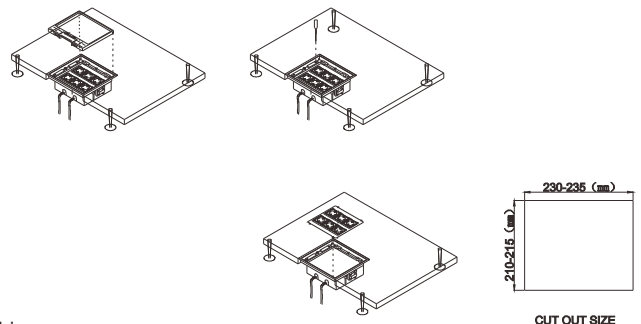


Outline Drawing:



Installation Guide

1. Remove the panel from the bottom box along with the electrical modules.
2. Fix the flooring with spare screws on the bottom box and place it in the embedded hole.
3. The flooring surface shall be at least level with the ground or 20mm below the ground.
4. Remove flooring surface, Insert the 10--12mm lead head into the terminal of floor box.
5. Fix the panel to the bottom box with screws.



(Image is for reference only.)

Package: 4 Pcs inner box into a master carton. Poly bag with box packing.



Desktop Socket

SCF Series Floor Socket

Switch

Accessories

HTD-626AS/SS/SP-45

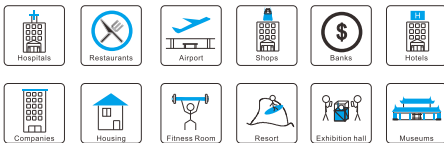
SCF Series: Raised/Concrete /Trunking system floor box

Features:

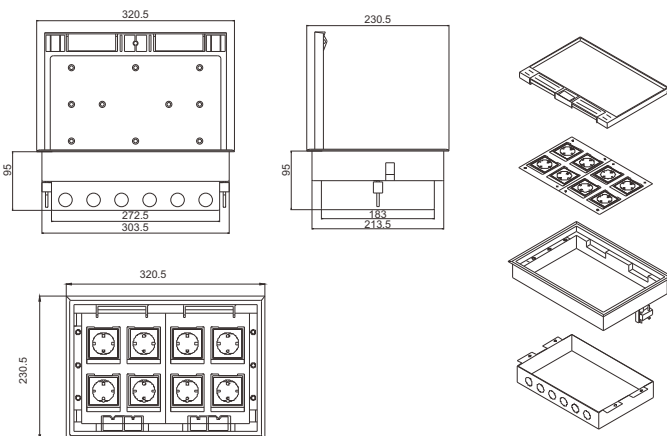
1. Optional floor applicable for access and concrete floor
2. Safety lid frame:from high impact ABS plastic material static pressure over 1000N
3. Cavity depth:8mm
4. Adjustable of bottom box:76~111mm
5. International modules:clamp fixing of 45×45mm receptacle for fast installation.

Technical Parameters :

Parameter	Description
Color	Grey,Black
Material	ABS, galvanised steel
Overall Frame & Lid (mm)	320.5*230.5
Compact floor cut-out(mm)	305*212
Thickness of concavity/	8
Frame lid recess (mm)	
Installation depth(mm)	95
Plug top clearance(mm)	13~48
Available modules	16 modules 45*45mm Mosaic

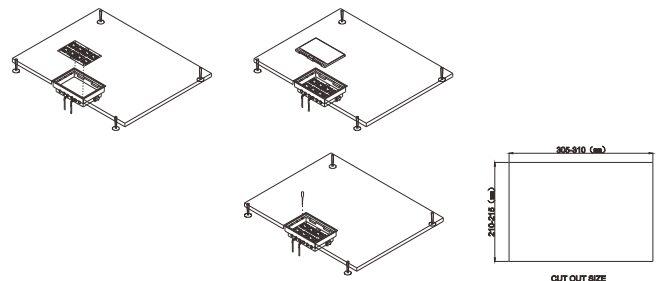


Outline Drawing: Unit:mm



Installation Guide

- 1.Remove the panel from the bottom box along with the electrical modules.
- 2.Fix the flooring with spare screws on the bottom box and place it in the embedded hole.
- 3.The flooring surface shall be at least level with the ground or 20mm below the ground.
- 4.Remove flooring surface ,Insert the 10--12mm lead head into the terminal of floor box.
- 5.Fix the panel to the bottom box with screws.



(Image is for reference only.)

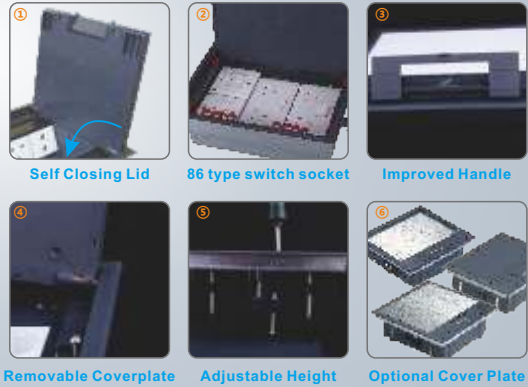
Package:4 Pcs inner box into a master carton.Poly bag with box packing.

Desktop Socket

SCF Series Floor Socket

Switch

Accessories



HTD-626AS/SS/SP-86

SCF Series: Raised/Concrete /Trunking system floor box

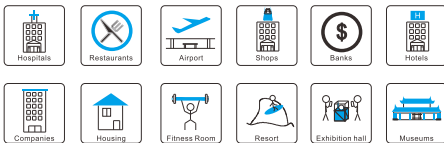
Features:

- 1.Optional floor:Applicable for access and concrete floor
- 2.Safety lid:Frame &lid from ABS plastic ,static pressure over 1000N.
- 3.Protected opening system: Easy grip recessed lifting handle.
- 4.BS standard receptacle: screw fixing of three* twins 86 type or 6* 86*86 switch socket bridge accessories.
- 5.Cavity of floor: 8mm and lid is overlapping the edge of the floor.
- 6.Adjustable height of bottom box:76~111mm.

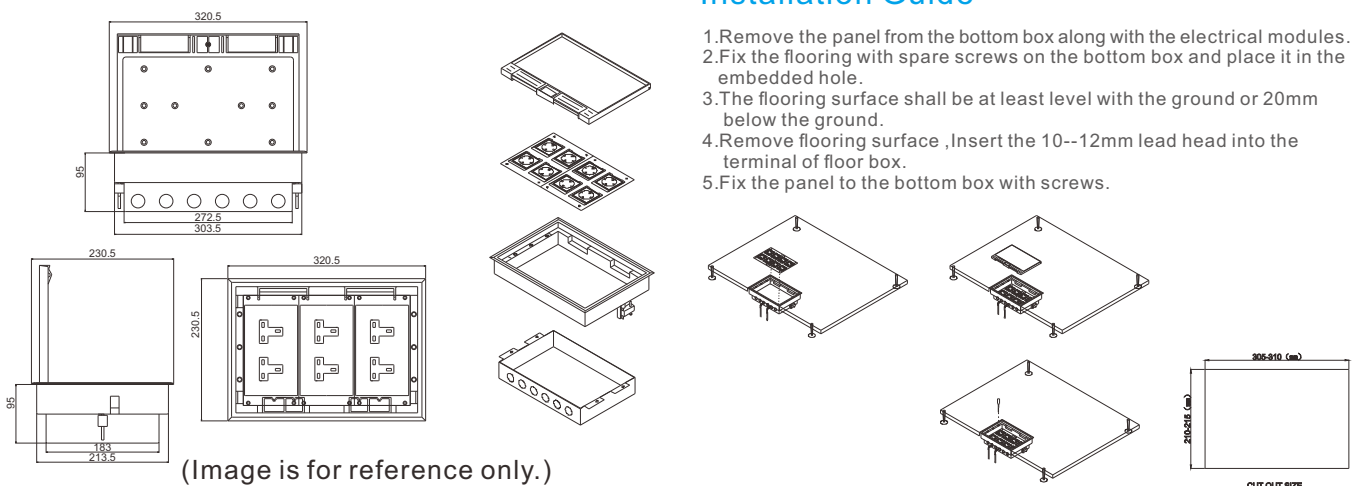
Remark: For concrete floor:
To be with additional metal box item#BG-HTD626

Technical Parameters :

Parameter	Description
Color	Grey,Black
Material	ABS, galvanised steel
Overall Frame & Lid (mm)	320.5*230.5
Compact floor cut-out(mm)	305*212
Thickness of concavity/	8
Frame lid recess (mm)	
Installation depth(mm)	95
Plug top clearance(mm)	13~48
Available modules	three* twins 86 type or 6* 86*86 switch socket



Outline Drawing: Unit:mm

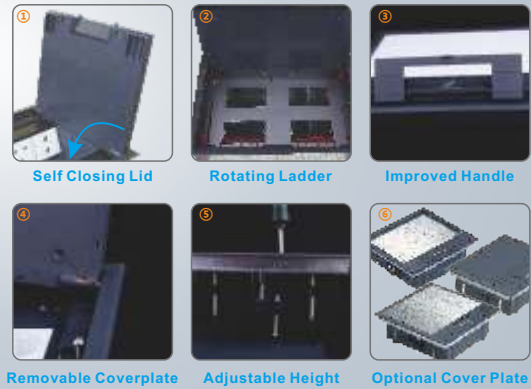


(Image is for reference only.)

Package:4 Pcs inner box into a master carton.Poly bag with box packing.

Installation Guide

- 1.Remove the panel from the bottom box along with the electrical modules.
- 2.Fix the flooring with spare screws on the bottom box and place it in the embedded hole.
- 3.The flooring surface shall be at least level with the ground or 20mm below the ground.
- 4.Remove flooring surface ,Insert the 10--12mm lead head into the terminal of floor box.
- 5.Fix the panel to the bottom box with screws.



Desktop Socket

SCF Series Floor Socket

Switch

Accessories

HTD-626AS/SS/SP-120

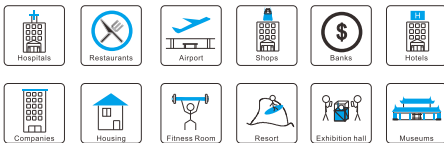
SCF Series: Raised/Concrete /Trunking system floor box

Features:

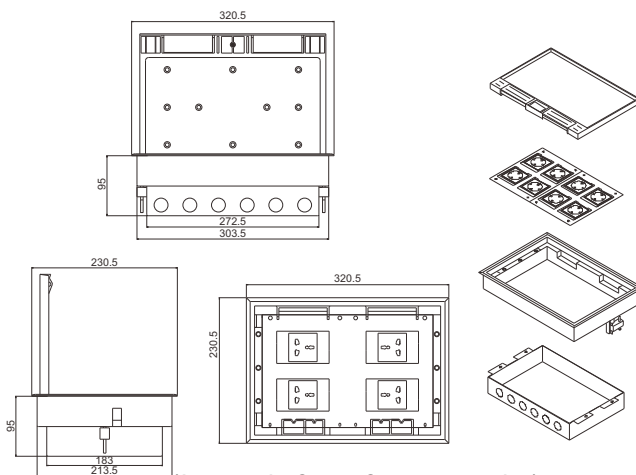
1. Optional floor applicable for access and concrete floor
2. Safety lid frame:from high impact ABS plastic material static pressure over 1000N
3. Cavity depth:8mm
4. Adjustable of bottom box:76~111mm
5. 120 standard receptacle: screw fixing of 4* 120 type switch socket bridge accessories.

Technical Parameters :

Parameter	Description
Color	Grey,Black
Material	ABS, galvanised steel
Overall Frame & Lid (mm)	320.5*230.5
Compact floor cut-out(mm)	305*212
Thickness of concavity/	8
Frame lid recess (mm)	
Installation depth(mm)	95
Plug top clearance(mm)	13~48
Available modules	4* 120 type switch socket



Outline Drawing: Unit:mm

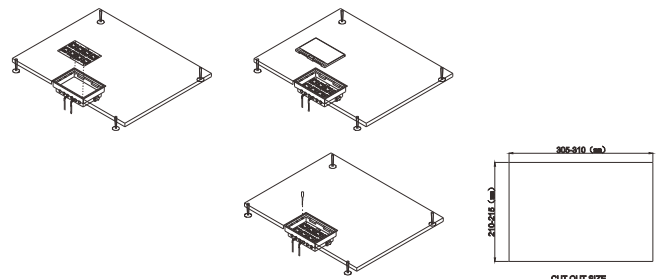


(Image is for reference only.)

Package:4 Pcs inner box into a master carton.Poly bag with box packing.

Installation Guide

- 1.Remove the panel from the bottom box along with the electrical modules.
- 2.Fix the flooring with spare screws on the bottom box and place it in the embedded hole.
- 3.The flooring surface shall be at least level with the ground or 20mm below the ground.
- 4.Remove flooring surface ,Insert the 10--12mm lead head into the terminal of floor box.
- 5.Fix the panel to the bottom box with screws.



Desktop Socket



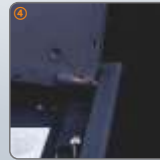
Self Closing Lid



Rotating Ladder



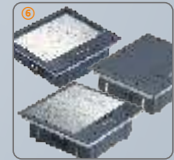
Improved Handle



Removable Coverplate



Adjustable Height



Optional Cover Plate

SCF Series Floor Socket

HTD-628AS/SS/SP

SCF Series: Raised/Concrete /Trunking system floor box

Features:

1. Optional floor applicable for access and concrete floor
2. Safety lid frame:from high impact ABS plastic material static pressure over 1000N
3. Cavity depth:8mm
4. Adjustable of bottom box:76~111mm
5. International modules:clamp fixing of 45×45mm receptacle for fast installation.

Technical Parameters :

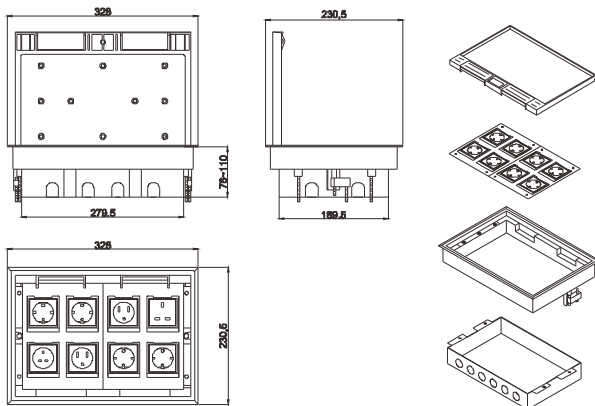
Parameter	Description
Color	Grey,Black
Material	ABS, galvanised steel
Overall Frame & Lid (mm)	328.5*230.5
Compact floor cut-out(mm)	310*213
Thickness of concavity/	8
Frame lid recess (mm)	
Installation depth(mm)	76~110
Plug top clearance(mm)	13~48
Available modules	16 modules 45*45mm Mosaic

Switch

Accessories

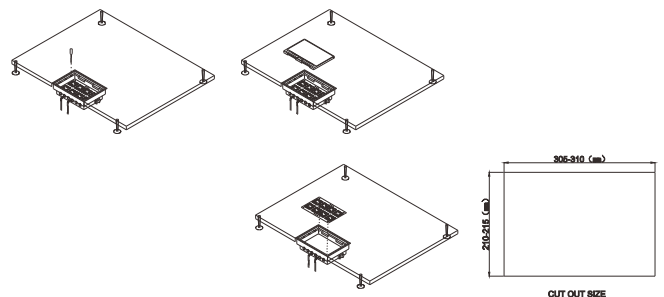


Outline Drawing: Unit:mm



Installation Guide

1. Floor box(For concrete floor)
2. Steel armored conduit(For trunking system/Access floor).
3. Put under floor box into cut out and adjust height(For raised floor) .
4. Installing Heavy current/Data systems
5. Connecting and earthing.
6. Assembly and plug into underfloor box.
7. Single outlet

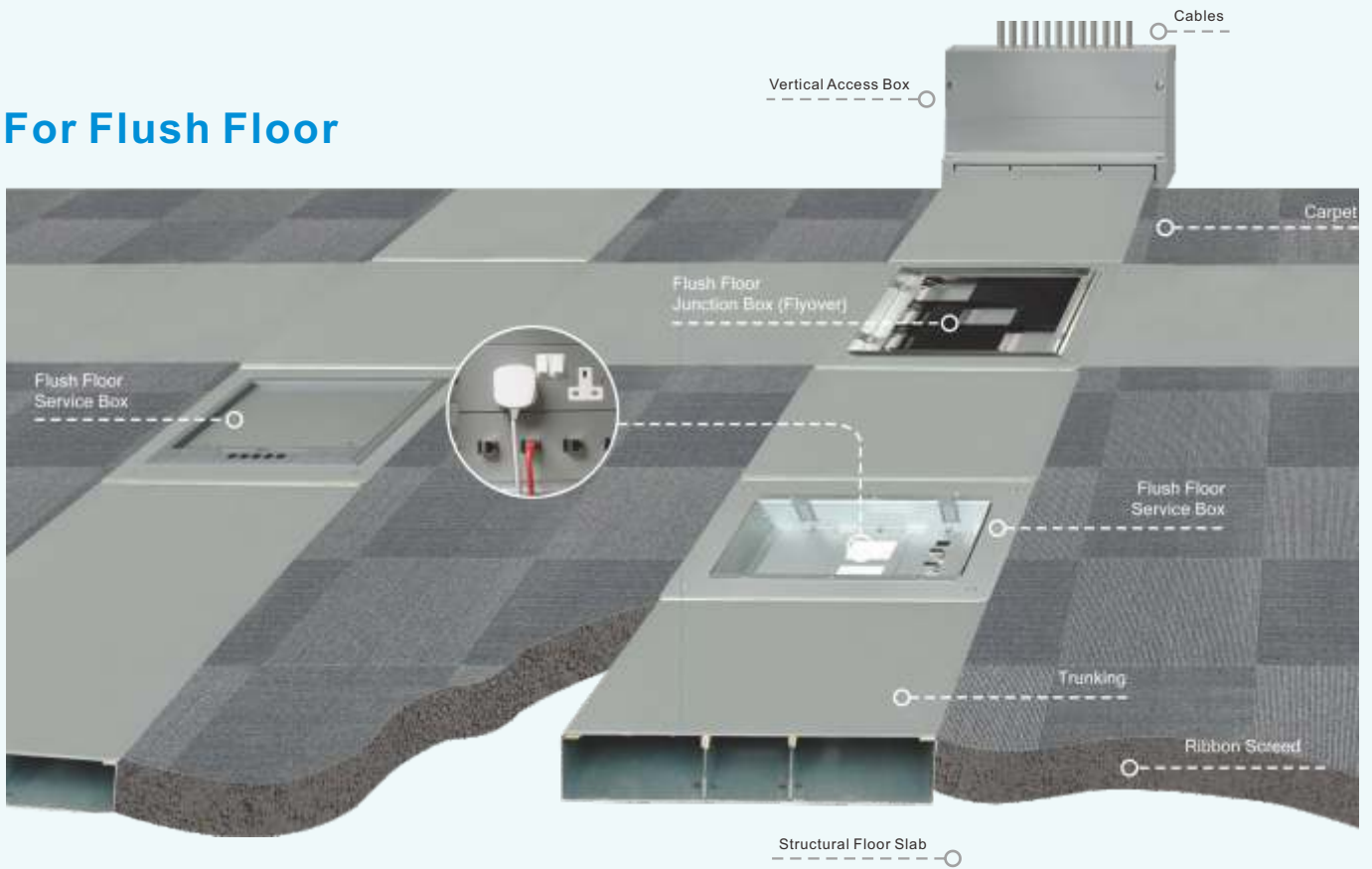


(Image is for reference only.)

Package:4 Pcs inner box into a master carton.Poly bag with box packing.

Carpet Box Raised Floor Box Cavity Box

For Flush Floor



For Raised Floor Box





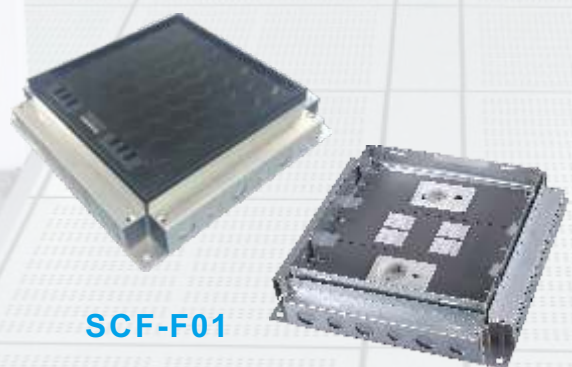
SCF-A01



SCF-T01



SCF-Q01



SCF-F01

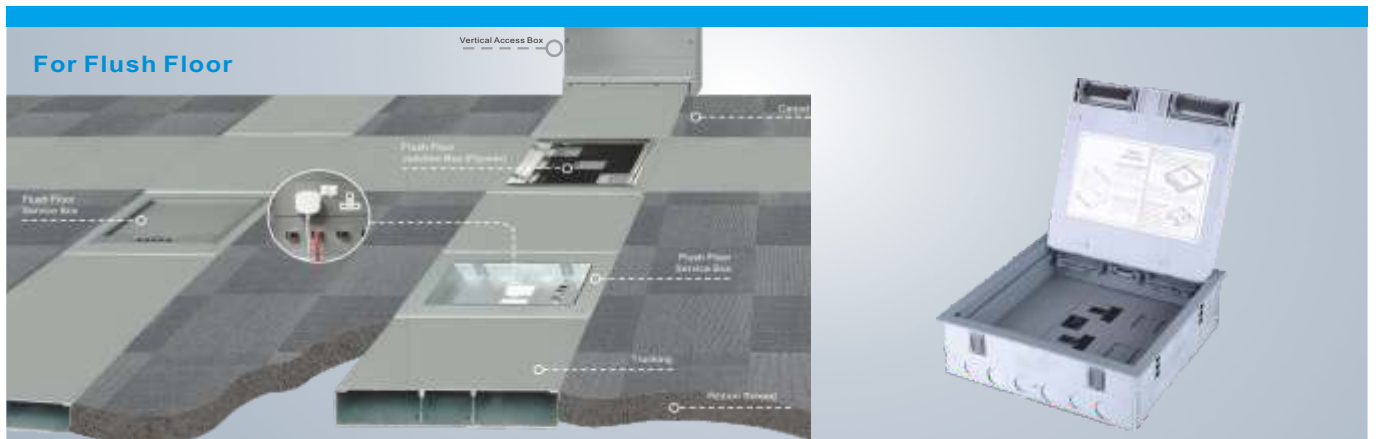
Features:

- Floor box manufactured from galvanized steel.
- 20mm knockouts to accept flexible conduit.
- Cavity depth 8~10mm.
- Galvanized lid insert for strength.
- Easy grip recessed lifting handle.
- Clamp fixing for fast installation.
- Large range of accessory plates.
- Special plates available to order.

Accessory Plates

 A grid of accessory plates with labels:

- Twin switch socket plate Item#SAP01
- 4 way perella data plate Item#SAP02
- Blank plate Item#SAP03
- SAP028
- SAP026
- SAP024
- SAP027
- SAP025
- SAP030
- SAP031
- SAP032



Desktop Socket

SCF Series Floor Socket

Switch

Accessories

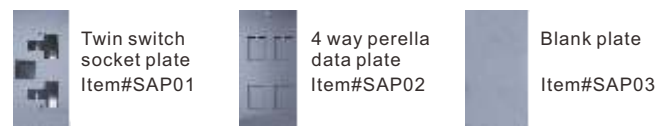
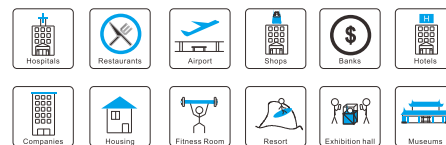
SCF-A01 SCF Series: Raised/Concrete /Trunking system floor box

Features:

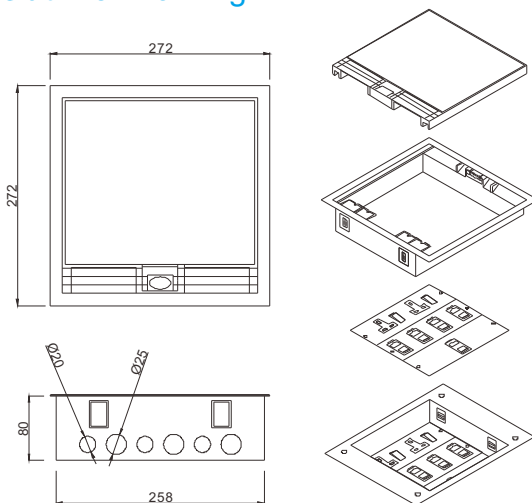
1. Frame and lid:from ABS ,Static pressure>1000N.
2. Bottom box:from galvanized steel
3. More cavity depth:over 8~10mm;
4. Module Compartment :Clamp fixing BS standard 86/146 twins switch socket or international 45*45mm receptacle and data.

Technical Parameters :

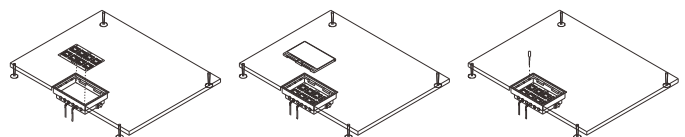
Parameter	Description
Floor Cut Out	270x270mm
Floor Box Depth	80mm
Plug Top Clearance	30mm
Overall Frame & Lid	270x270mm
Frame Lid Recess	8-10mm



Outline Drawing:



Installation Guide



(Image is for reference only.)

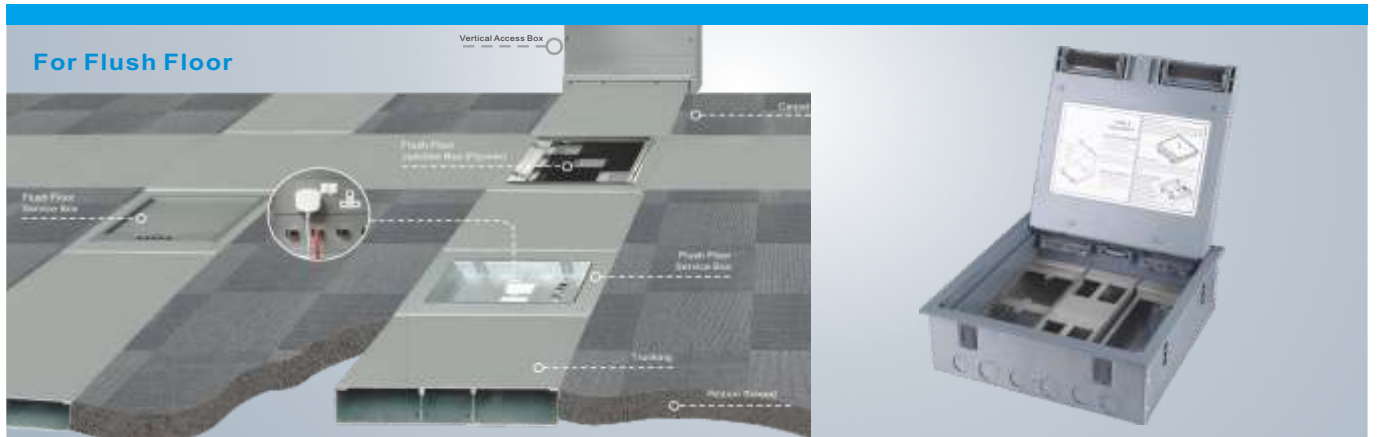
Package:6 Pcs inner box into a master carton.Poly bag with box packing.

Desktop Socket

SCF Series Floor Socket

Switch

Accessories



SCF-T01

SCF Series: Raised/Concrete /Trunking system floor box

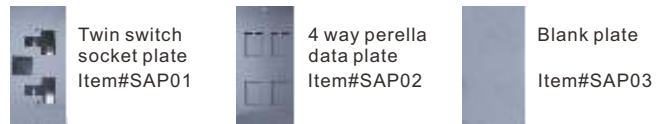
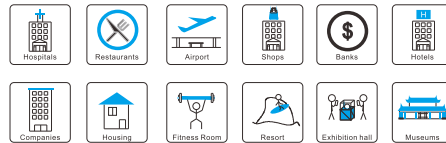
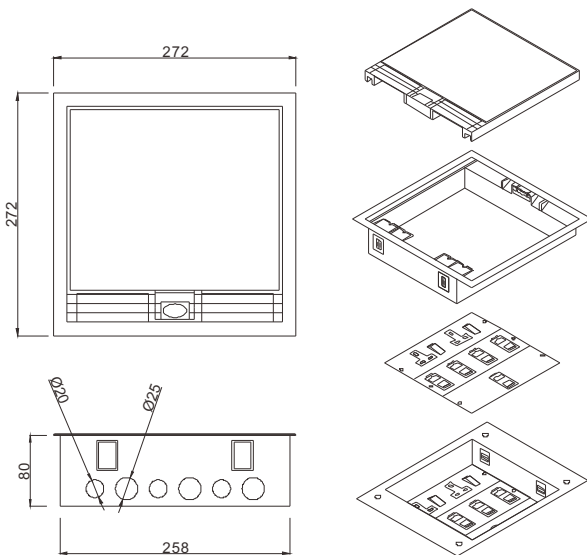
Features:

1. Frame and lid:from ABS ,Static pressure>1000N.
2. Bottom box:from galvanized steel
3. More cavity depth:over 8~10mm;
4. Module Compartment :Clamp fixing BS standard 86/146 twins switch socket or international 45*45mm receptacle and data.

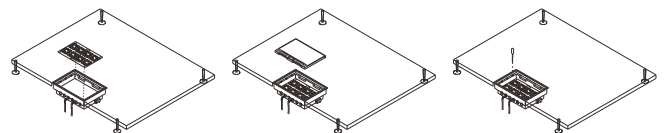
Technical Parameters :

Parameter	Description
Floor Cut Out	254x254mm
Floor Box Depth	80mm
Plug Top Clearance	30mm
Overall Frame & Lid	272x272mm
Frame Lid Recess	8-10mm

Outline Drawing: Unit:mm

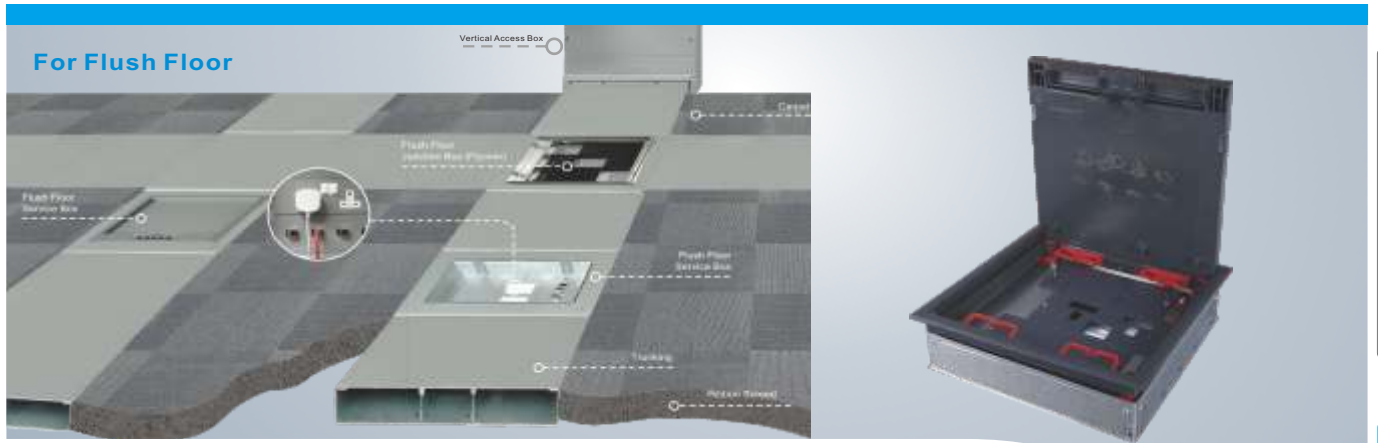


Installation Guide



(Image is for reference only.)

Package:6 Pcs inner box into a master carton.Poly bag with box packing.



Desktop Socket

SCF Series Floor Socket

Switch

Accessories

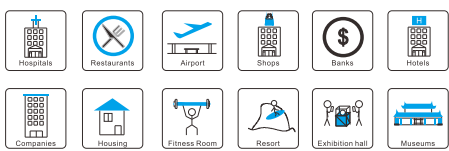
SCF-Q01 SCF Series: Raised/Concrete /Trunking system floor box

Features:

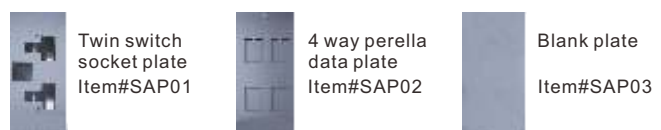
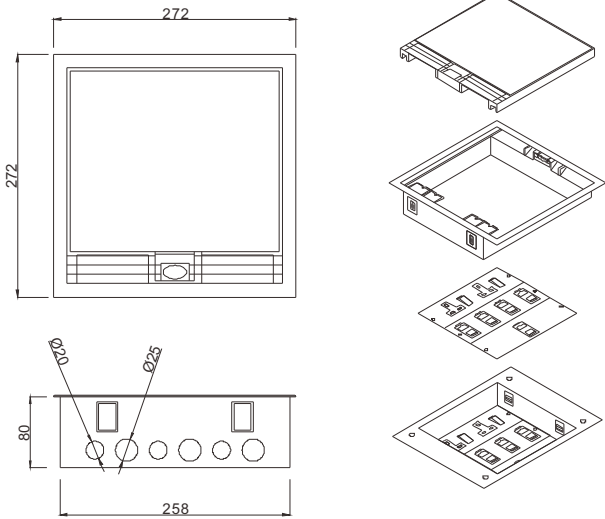
1. Applicable:raised floor/trunking system/concrete floor flushing mounting
2. Frame and lid:from ABS ,Static pressure>1000N.
3. Bottom box:from galvonisea steel
4. cavity depth:over8~10mm
5. International receptacle and data BS standard
6. clamp fixing of 86/146 twins switch socket or 45×45mm

Technical Parameters :

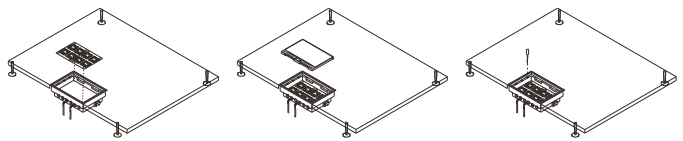
Parameter	Description
Floor Cut Out	260x260mm
Floor Box Depth	83mm
Plug Top Clearance	30mm
Overall Frame & Lid	273x273mm
Frame Lid Recess	8-10mm
Accessories Plates	250x77mm



Outline Drawing:



Installation Guide



(Image is for reference only.)

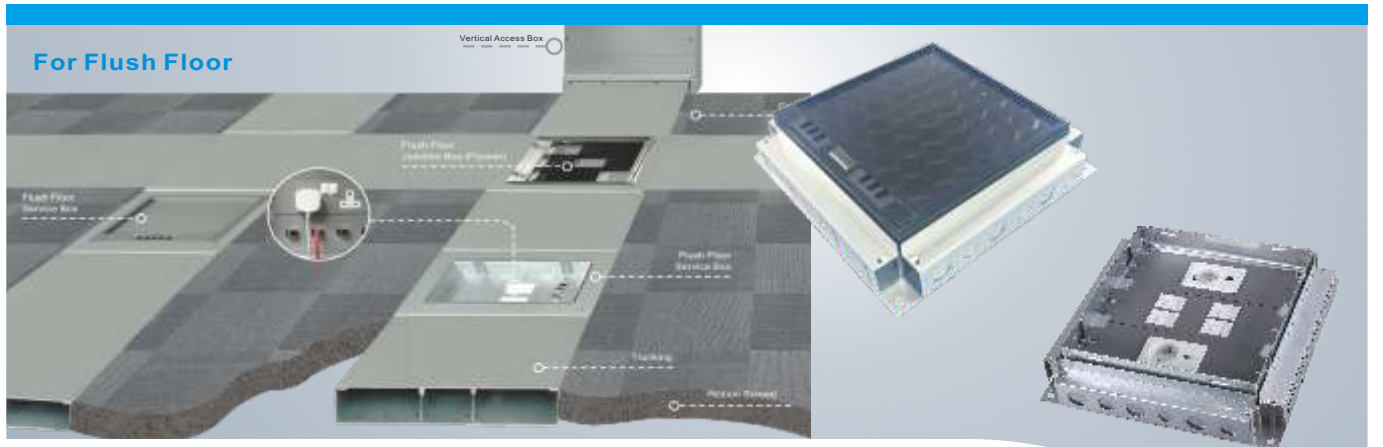
Package:6 Pcs inner box into a master carton.Poly bag with box packing.

Desktop Socket

SCF Series Floor Socket

Switch

Accessories



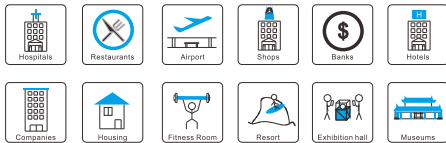
SCF-F01 SCF Series: Raised/Concrete /Trunking system floor box

Features:

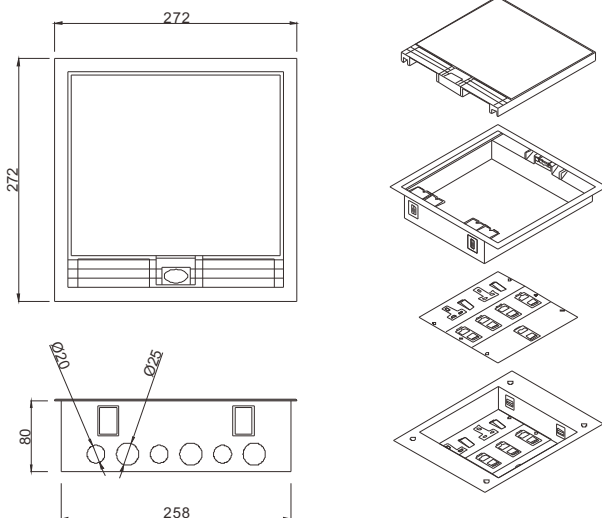
1. Applicable:raised floor/trunking system/concrete floor flushing mounting
2. Frame and lid:from ABS ,Static pressure>1000N.
3. Bottom box:from galvonisea steel
4. cavity depth:over8~10mm
5. International receptacle and data BS standard
6. clamp fixing of 86/146 twins switch socket or 45×45mm

Technical Parameters :

Parameter	Description
Floor Cut Out	254x254mm
Floor Box Depth	76mm
Plug Top Clearance	20mm
Overall Frame & Lid	320x320mm
Frame Lid Recess	8-10mm
Accessories Plates	250x77mm

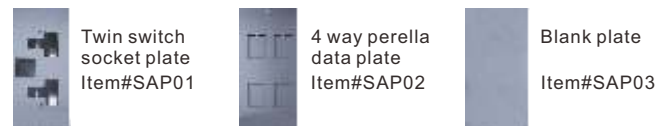


Outline Drawing:

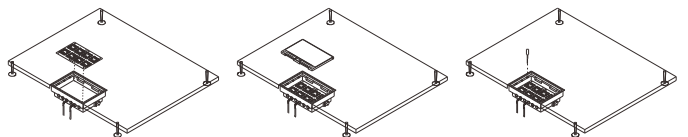


(Image is for reference only.)

Package:6 Pcs inner box into a master carton.Poly bag with box packing.



Installation Guide





Desktop Socket

SCF Series Floor Socket

Switch

Accessories

HTD-610S

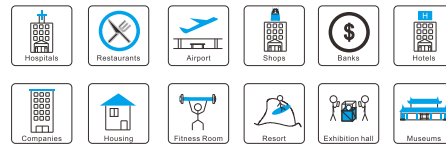
SCF Series: Raised/Concrete /Trunking system floor box

Features:

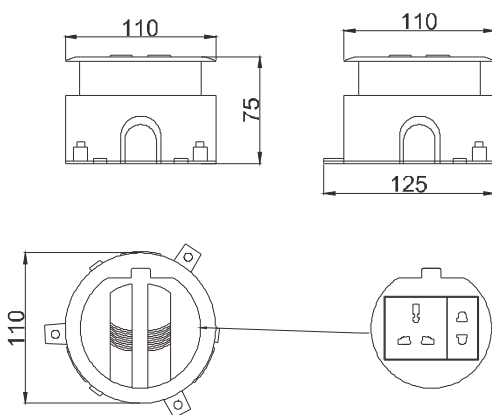
- 1.Depth adjustable:from 81mm adjustable up to 101mm;
- 2.Fit 3 modules(22.5*45mm) as power socket, USB charger, data,switch;
- 3.The degree between modules and base box be rotate over 20 degree;

Technical Parameters :

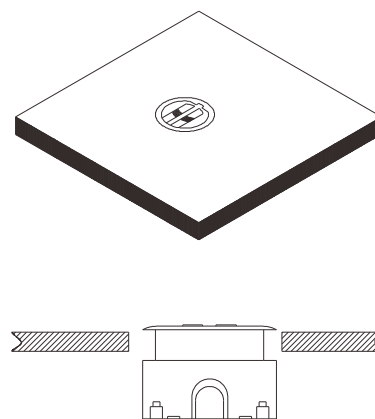
Parameter	Description
Panel Material	Plastic
Panel Dimension(mm)	Ø110
Base box Ga-Steel box body	Ø125
Capacity of modules	3 ways modules
IP Rating	IP Rated 40 Closed and IP30 open
Available modules	45*45mm Type series



Outline Drawing: Unit:mm



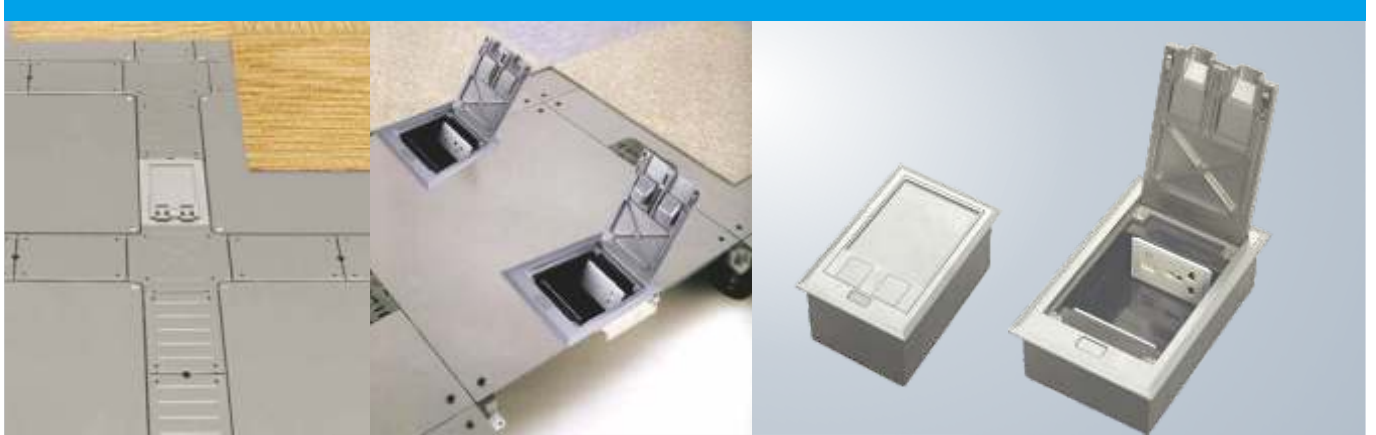
Installation Guide



(Image is for reference only.)

Package: 18 Pcs inner box into a master carton.Poly bag with box packing.

Desktop Socket



SCF Series Floor Socket

HTD-302AL

SCF Series: Raised/Concrete /Trunking system floor box

Features:

- 1.Flush mounting or under floor with floor system.
- 2.Applicable for concrete floor/raised floor.
- 3.Protection of 4*hidden cable exit.
4. More plug top clearance:side-mounting installation of socket or data outlet.

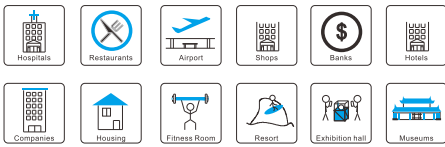
Technical Parameters :

Parameter	Description
Panel Material	Aluminum alloy(6061)
Panel Dimension(mm)	210*140
Cutout(mm)	190x120
Capacity of modules	6 ways modules

- Brass
 Alu alloy
 Stainless



Switch



Accessories



Concrete Floor

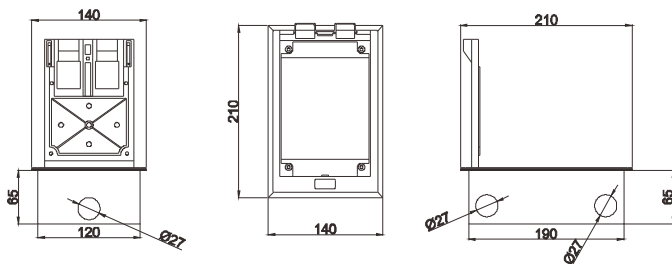


Raised Floor

Installation Guide

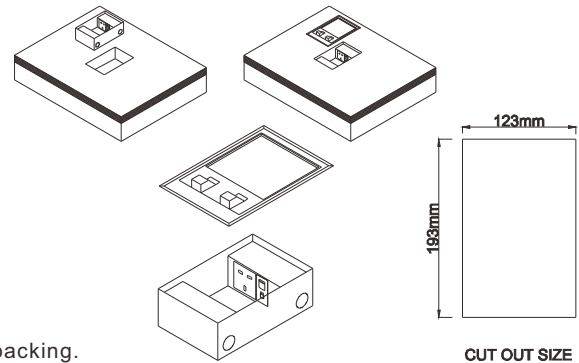
- 1.Remove the panel from the bottom box along with the electrical modules.
- 2.Fix the flooring with spare screws on the bottom box and place it in the embedded hole.
- 3.The flooring surface shall be at least level with the ground or 20mm below the ground.
- 4.Remove flooring surface ,Insert the 10--12mm lead head into the terminal of floor box.
- 5.Fix the panel to the bottom box with screws.

Outline Drawing: Unit:mm

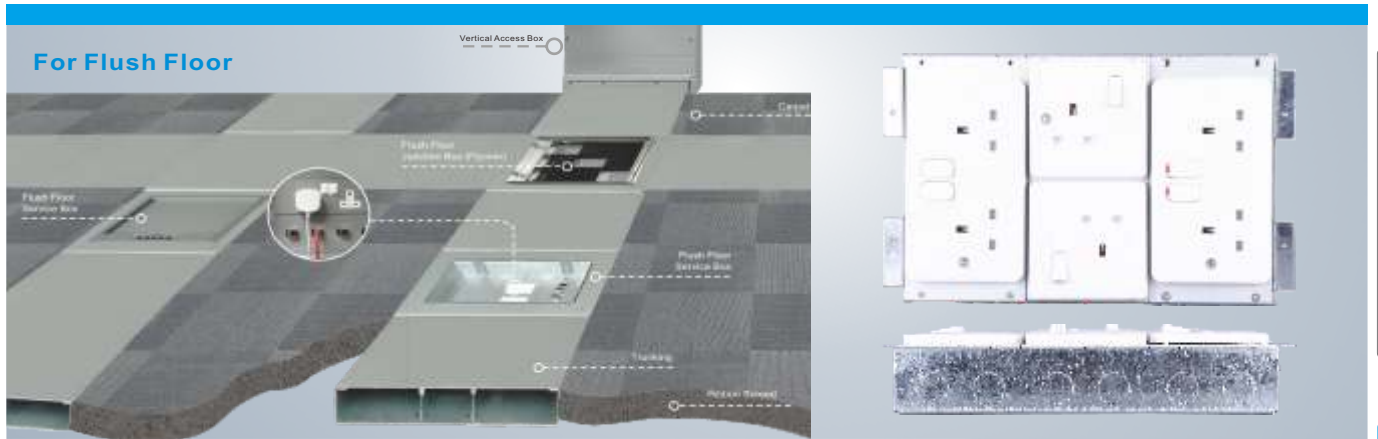


(Image is for reference only.)

Package: 10 Pcs inner box into a master carton.Poly bag with box packing.



CUT OUT SIZE



Desktop Socket

SCF Series Floor Socket

Switch

Accessories

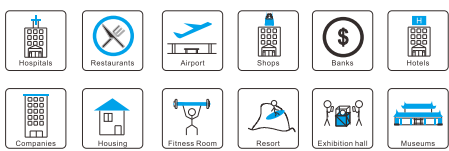
SLB-86 SCF Series: Raised/Trunking system floor box

Features:

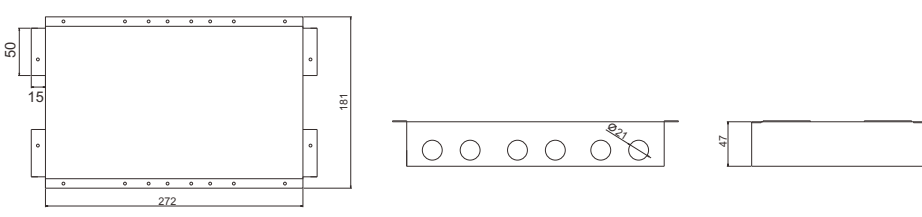
1. Applicable:flushing mounting raised floor/trunking system.
2. Bottom box:from galvanized steel
3. height of bottom box :over50mm
4. Screw fixing Compartment or modules :International BS standard1363 switch socket or 45*45mm receptacle and data .

Technical Parameters :

Parameter	Description
Material	Galvanized steel
Dimension	272*181*47mm
Installation depth	47mm
Available receptacle	146/86/45*45mm



Outline Drawing:

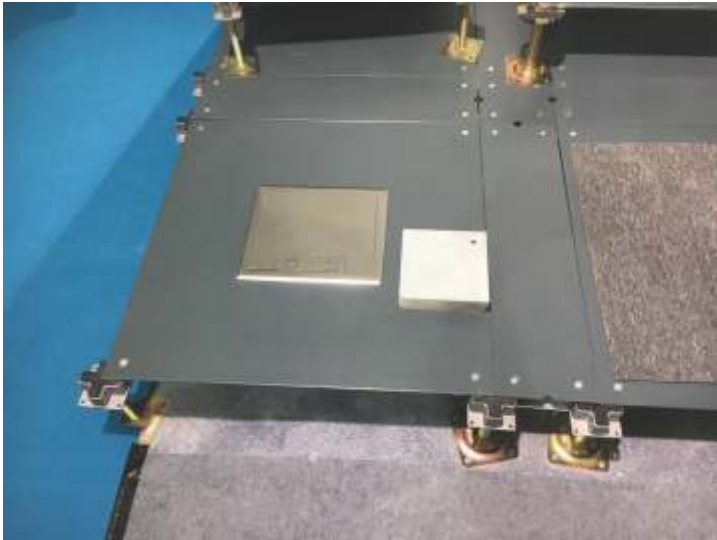


Junction Box/Power Box/Ground Tank



Raised Floor

Concrete Floor



Lid/Coverplate

Novel design for panel, the top cover keeps parallel with floor (180°) when opening. Can be used for special plug socket or more plugs at the same time. It can avoid fallback of cover when taking power (information), which improves the security for product during using.



Flat open
Code: NK



Panel and cover
keep parallel

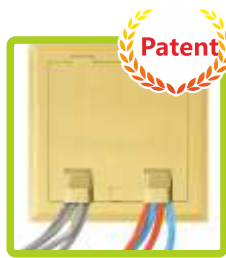


Material: Brass



Material:
Stainless steel

Cable Exit Protective Port



DK cable outlet fixing



HK cable outlet fixing

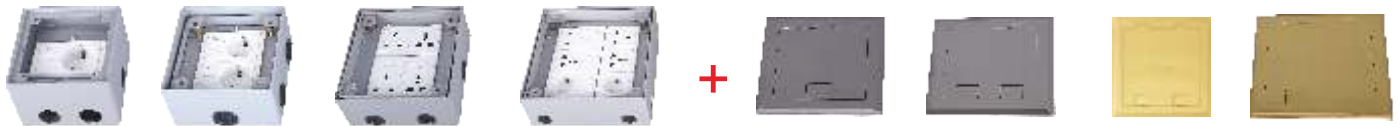
DK DK Cable Exit
Code: DK



HK HK Cable Exit
Code: HK



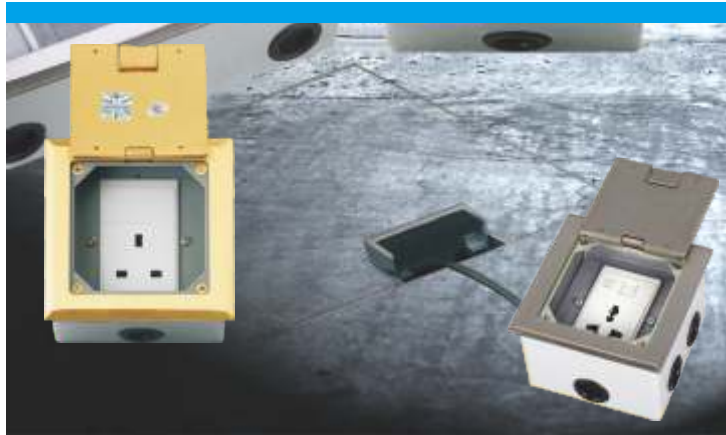
CKD/SKD is welcome!



Bottom Box

Cover Plate

Desktop Socket



HTD-120JH
Bottom Box



HTD120-CP
Cover Plate

CKD/SKD is welcome!

POB Series Floor Socket

HTD-120K/KP/NK/NKP

POB Series: Junction Box/Power Box/Ground Tank

Features:

1. Application: Recessed stage floor box provides versatile solution to accessing power, audio and visual equipment through floor .
- 2.Lid degree against floor:90/180 degree.
- 3.Hinged lid thickness over 4~4.5m , static pressure over 1000N .
- 4.Cold-rolled Steel box thickness over 1.5~2.0mm with powder coated..

Technical Parameters :

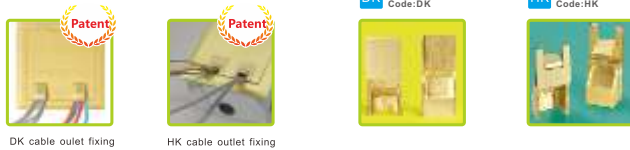
Parameter	Description
Panel Material	Brass alloy(H62)/Stainless steel(304)
Panel Dimension(mm)	120*120
Cutout(mm)	110*110
Capacity of modules	3 ways modules

Brass Alu alloy Stainless



Switch

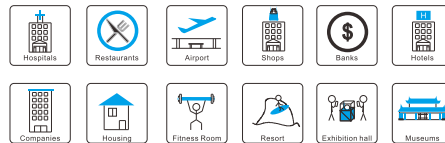
Cable Exit Protective Port



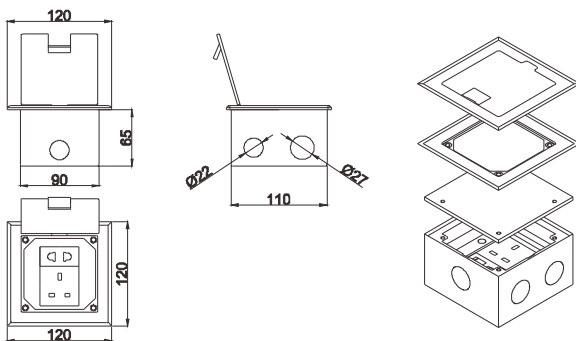
Accessories

HTD-XXX-NK/NKP

Top cover keeps parallel with floor (180°) when opening.

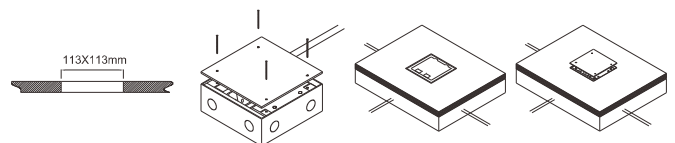


Outline Drawing: Unit:mm



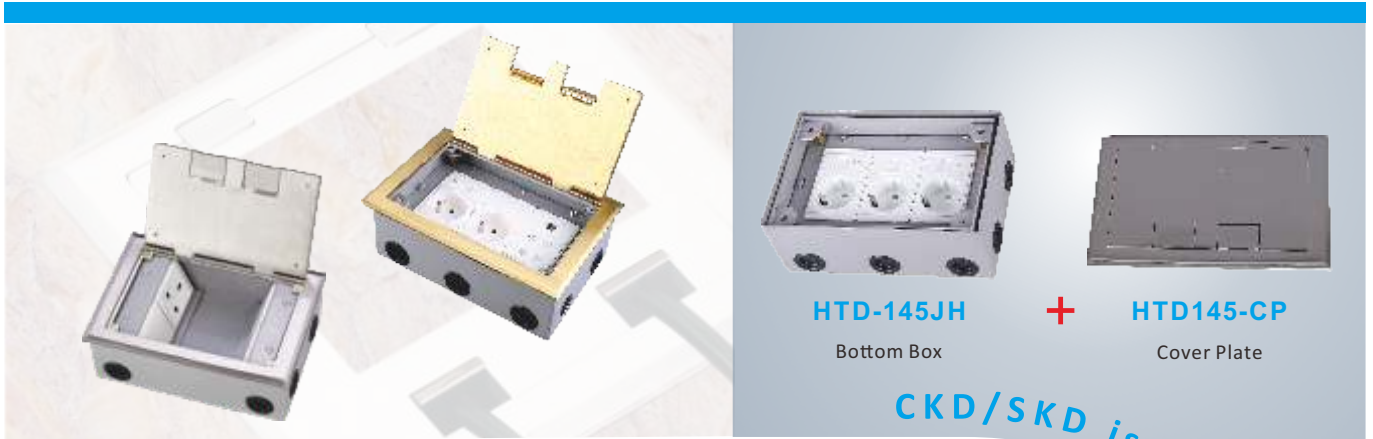
Installation Guide

- 1.Remove the panel from the bottom box along with the electrical modules.
- 2.Fix the flooring with spare screws on the bottom box and place it in the embedded hole.
- 3.The flooring surface shall be at least level with the ground or 20mm below the ground.
- 4.Remove flooring surface ,Insert the 10--12mm lead head into the terminal of floor box.
- 5.Fix the panel to the bottom box with screws.



(Image is for reference only.)

Package: 10 Pcs inner box into a master carton.Poly bag with box packing.



HTD-145JH + **HTD145-CP**
Bottom Box + Cover Plate

CKD/SKD is welcome!

HTD-145K/KP/CK/CKP

POB Series:
Junction Box/Power Box/Ground Tank

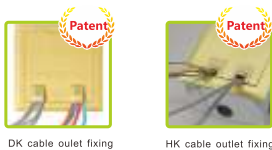
Features:

- 1.Application: Recessed stage floor box provides versatile solution to accessing power, audio and visual equipment through floor .
- 2.Modules Inside installation:horizontally/side-mounting.
- 3.Hinged lid thickness over 4~4.5m , static pressure over 1000N .
- 4.Cold-rolled Steel box thickness over 1.5~2.0mm with powder coated.

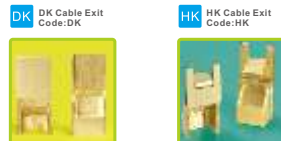
Technical Parameters :

Parameter	Description
Panel Material	Brass alloy(H62)/Stainless steel(304)
Panel Dimension(mm)	210*145
Cutout(mm)	200*135
Capacity of modules	6/9 ways(Horizontallation: 9 ways; Side-mounting: 6 ways)

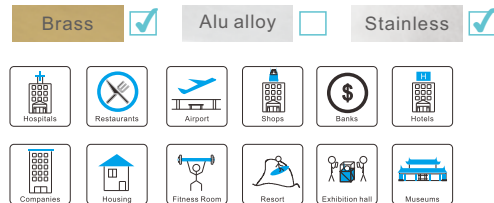
Cable Exit Protective Port



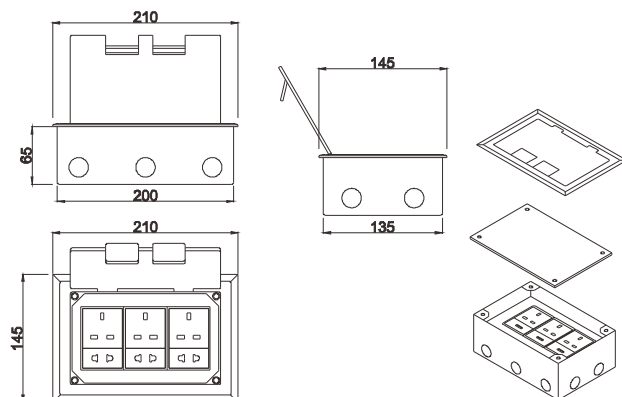
DK cable outlet fixing HK cable outlet fixing



DK DK Cable Exit Code:DK HK HK Cable Exit Code:HK



Outline Drawing: Unit:mm

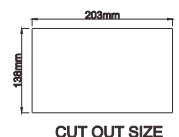
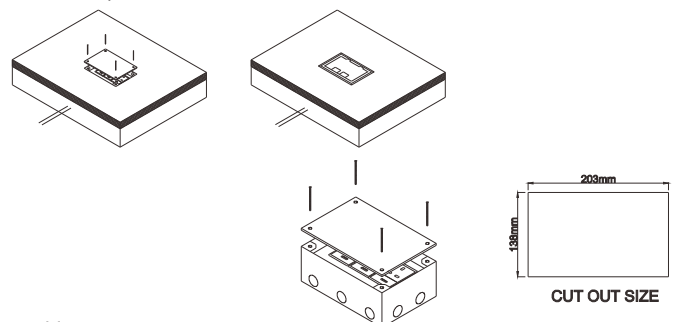


(Image is for reference only.)

Package:8 Pcs inner box into a master carton.Poly bag with box packing.

Installation Guide

- 1.Remove the panel from the bottom box along with the electrical modules.
- 2.Fix the flooring with spare screws on the bottom box and place it in the embedded hole.
- 3.The flooring surface shall be at least level with the ground or 20mm below the ground.
- 4.Remove flooring surface ,Insert the 10--12mm lead head into the terminal of floor box.
- 5.Fix the panel to the bottom box with screws.



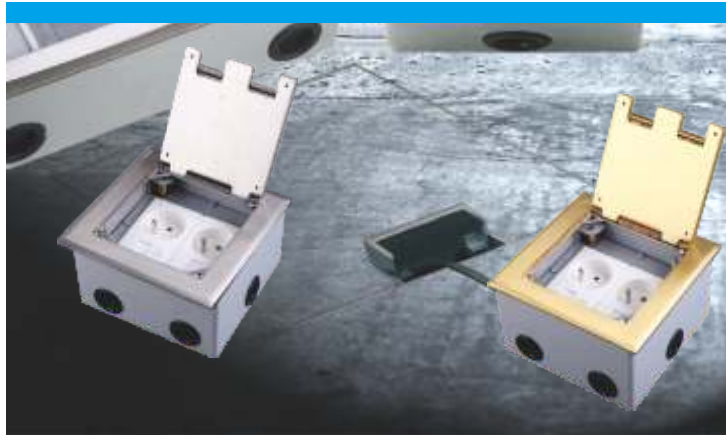
Desktop Socket

POB Series
Floor Socket

Switch

Accessories

Desktop Socket



HTD-135JH
Bottom Box



HTD146-CP
Cover Plate

CKD/SKD is welcome!

POB Series
Floor Socket

HTD-146K/KP/NP/NKP

POB Series:
Junction Box/Power Box/Ground Tank

Features:

- 1.Application: Recessed stage floor box provides versatile solution to accessing power, audio and visual equipment through floor .
- 2.Lid degree against floor:90/180 degree.
- 3.Hinged lid thickness over 4~4.5m , static pressure over 1000N .
- 4.Cold-rolled Steel box thickness over 1.5~2.0mm with powder coated

Technical Parameters :

Parameter	Description
Panel Material	Brass alloy(H62)/Stainless steel(304)
Panel Dimension(mm)	146*146
Cutout(mm)	135*135
Capacity of modules	6 ways modules

Switch

Cable Exit Protective Port



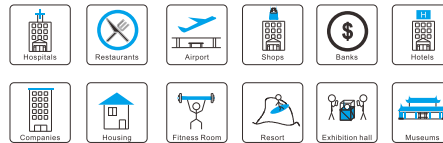
DK cable outlet fixing



HK cable outlet fixing



- Brass Alu alloy Stainless



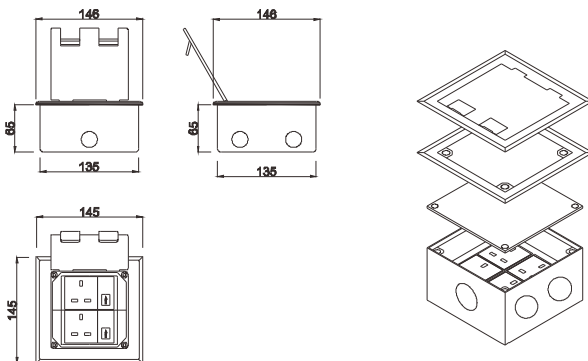
Accessories



HTD-XXX-NK/NKP

Top cover keeps parallel with floor (180°) when opening.

Outline Drawing: Unit:mm

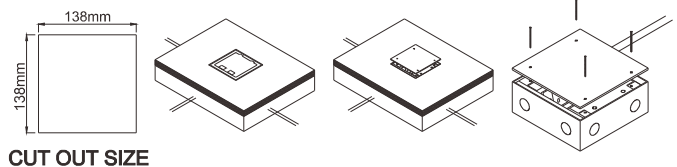


(Image is for reference only.)

Package:8 Pcs inner box into a master carton.Poly bag with box packing.

Installation Guide

- 1.Remove the panel from the bottom box along with the electrical modules.
- 2.Fix the flooring with spare screws on the bottom box and place it in the embedded hole.
- 3.The flooring surface shall be at least level with the ground or 20mm below the ground.
- 4.Remove flooring surface ,Insert the 10--12mm lead head into the terminal of floor box.
- 5.Fix the panel to the bottom box with screws.





HTD-170JH Bottom Box + **HTD180-CP** Cover Plate

CKD/SKD is welcome!

Desktop Socket

POB Series Floor Socket

Switch

Accessories

HTD-180K(P)/NK(P)/AK(P) POB Series: Junction Box/Power Box/Ground Tank

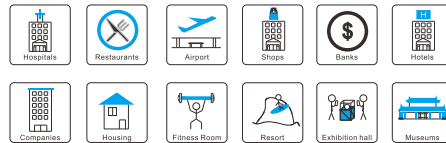
Features:

- 1.Application: Recessed stage floor box provides versatile solution to accessing power, audio and visual equipment through floor .
- 2.Lid degree against floor:90/180 degree.HTD-180NK(P) : Top cover keeps parallel with floor (180°) when opening.
- 3.Hinged lid thickness over 4~4.5mm , static pressure over 1000N .
- 4.Cold-rolled Steel box thickness over 1.5~2.0mm with powder coated.
- 5.HTD-180AK(P) : with cavity depth 20mm.

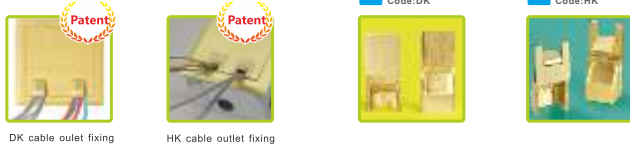
Technical Parameters :

Parameter	Description
Panel Material	Brass alloy(H62)/Stainless steel(304)
Panel Dimension(mm)	180*180
Cutout(mm)	170*170
Capacity of modules	10 ways modules

- Brass Alu alloy Stainless



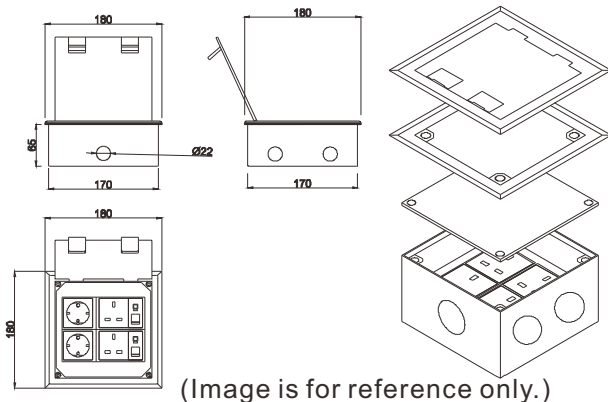
Cable Exit Protective Port



HTD-XXX-NK/NKP

Top cover keeps parallel with floor (180°) when opening.

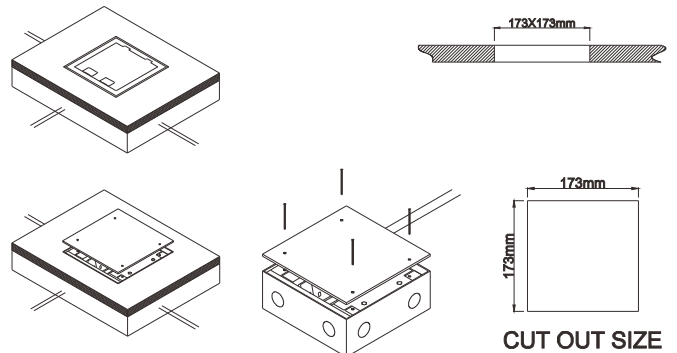
Outline Drawing: Unit:mm



(Image is for reference only.)

Installation Guide

- 1.Cut out 173*173(mm):Powering the slurry.
- 2.Remove the pre-installed temporary lid,wiring and installing modules.
- 3.Per-installthe cable pipe as per your request .
- 4.Install cover lid and tighten with screws.
- 5.Conceal the cut edge of carpet of flooring



CUT OUT SIZE

Package:6 Pcs inner box into a master carton.Poly bag with box packing.

Desktop Socket

POB Series Floor Socket

Switch

Accessories



HTD-240CJH Bottom Box + HTD-210-CP Cover Plate

CKD/SKD is welcome!

HTD-210K(P)/NK(P)/AK(P) POB Series: Junction Box/Power Box/Ground Tank

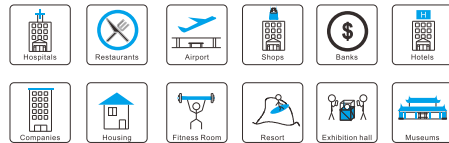
Features:

- 1.Application: Recessed stage floor box provides versatile solution to accessing power, audio and visual equipment through floor .
- 2.Lid degree against floor:90/180 degree.HTD-210NK(P) : Top cover keeps parallel with floor (180°) when opening.
- 3.Hinged lid thickness over 4~4.5mm , static pressure over 1000N .
- 4.Cold-rolled Steel box thickness over 1.5~2.0mm with powder coated.
- 5.HTD-210AK(P) : with cavity depth 20mm.

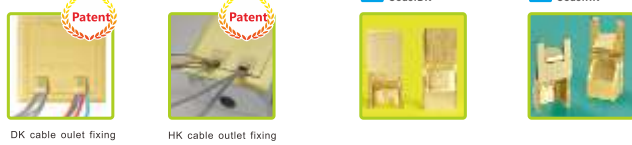
Technical Parameters :

Parameter	Description
Panel Material	Brass alloy(H62)/Stainless steel(304)
Panel Dimension(mm)	210*210
Cutout(mm)	198*198
Capacity of modules	15 ways modules

Brass Alu alloy Stainless



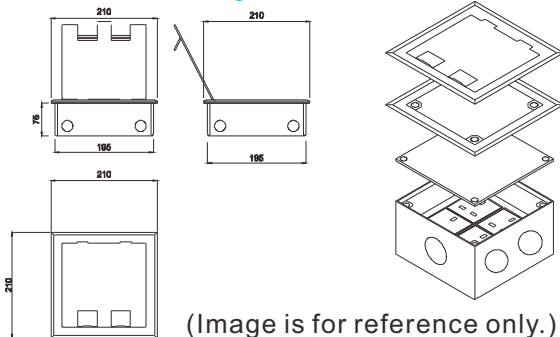
Cable Exit Protective Port



HTD-XXX-NK/NKP

Top cover keeps parallel with floor (180°) when opening.

Outline Drawing: Unit:mm

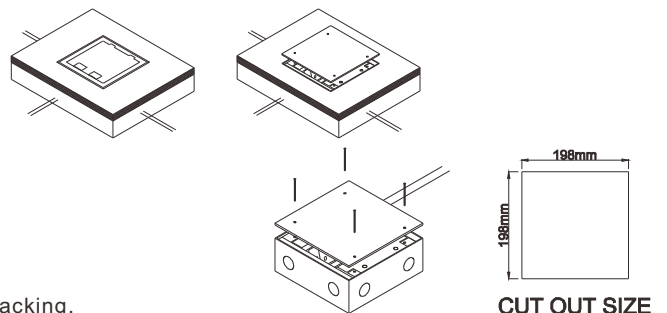


(Image is for reference only.)

Package:6 Pcs inner box into a master carton.Poly bag with box packing.

Installation Guide

- 1.Remove the panel from the bottom box along with the electrical modules.
- 2.Fix the flooring with spare screws on the bottom box and place it in the embedded hole.
- 3.The flooring surface shall be at least level with the ground or 20mm below the ground.
- 4.Remove flooring surface ,Insert the 10--12mm lead head into the terminal of floor box.
- 5.Fix the panel to the bottom box with screws.



CUT OUT SIZE



HTD-240CJH + **HTD-210-CP**
Bottom Box Cover Plate

CKD/SKD is welcome!

Desktop Socket

POB Series Floor Socket

Switch

Accessories

HTD-210CK(P) POB Series: Junction Box/Power Box/Ground Tank

Features:

1. Application: Recessed stage floor box provides versatile solution to accessing power, audio and visual equipment through floor .
2. More plug top clearance:side-mounting installation of frame/modules.
3. Hinged lid thickness over 4~4.5m , static pressure over 1000N .
4. Cold-rolled Steel box thickness over 1.5~2.0mm with powder coated.

Technical Parameters :

Parameter	Description
Panel Material	Brass alloy(H62)/Stainless steel(304)
Panel Dimension(mm)	210*210
Cutout(mm)	190*190
Capacity of modules	10 ways modules

Brass Alu alloy Stainless

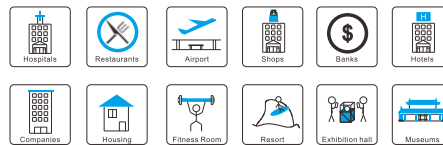
Cable Exit Protective Port



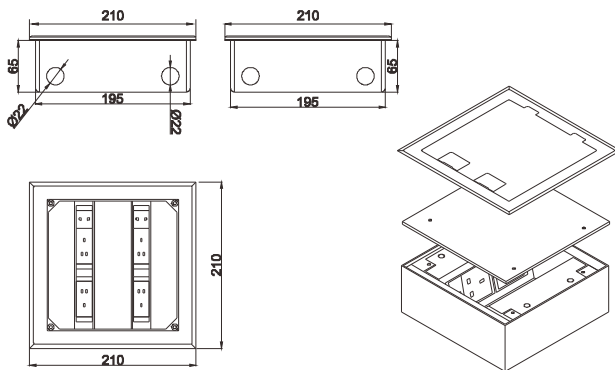
DK cable outlet fixing



HK cable outlet fixing



Outline Drawing: Unit:mm

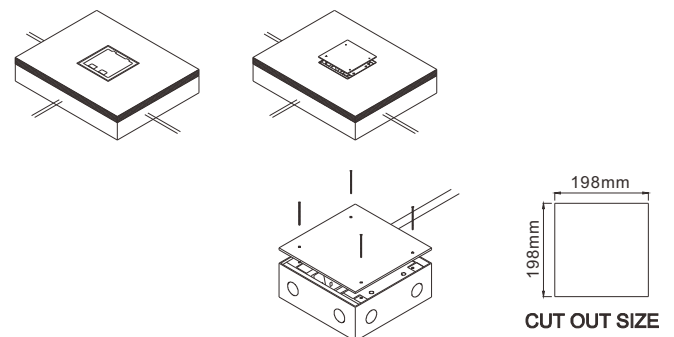


(Image is for reference only.)

Package:6 Pcs inner box into a master carton.Poly bag with box packing.

Installation Guide

- 1.Cut out 198*198Powering the slurry.
- 2.Remove the pre-installed temporary lid,wiring and installing modules.
- 3.Per-installthe cable pipe as per your request .
- 4.Install cover lid and tighten with screws.
- 5.Conceal the cut edge of carpet of flooring.



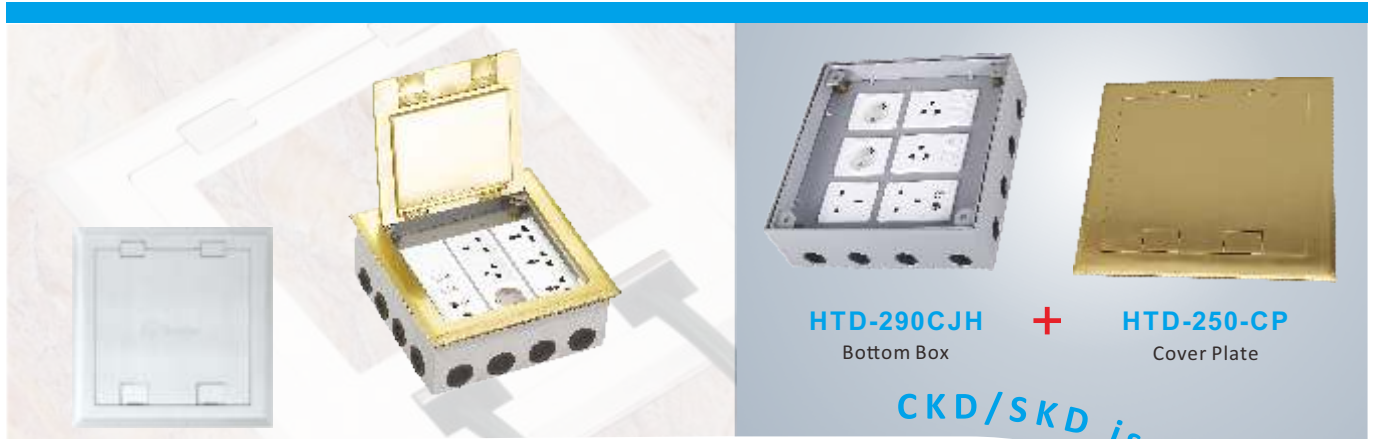
198mm
198mm
CUT OUT SIZE

Desktop Socket

POB Series Floor Socket

Switch

Accessories



HTD-290CJH + **HTD-250-CP**
Bottom Box + Cover Plate

CKD/SKD is welcome!

HTD-250K/KP/AK/AKP

POB Series: Junction Box/Power Box/Ground Tank

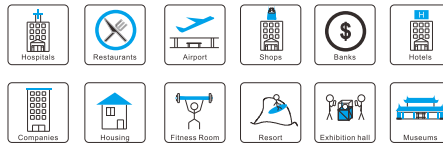
Features:

- 1.Application: Recessed stage floor box provides versatile solution to accessing power, audio and visual equipment through floor .
- 2.Lid degree against floor:90 degree.
- 3.Hinged lid thickness over 4~4.5mm , static pressure over 1000N .
- 4.Cold-rolled Steel box thickness over 1.5~2.0mm with powder coated.
- 5.HTD-250AK(P) : with cavity depth /frame lid recess :20mm.

Technical Parameters :

Parameter	Description
Panel Material	Brass alloy(H62)/Stainless steel(304)
Panel Dimension(mm)	250*250
Cutout(mm)	230*230
Capacity of modules	18 ways modules

Brass Alu alloy Stainless



Cable Exit Protective Port



DK cable outlet fixing



HK cable outlet fixing

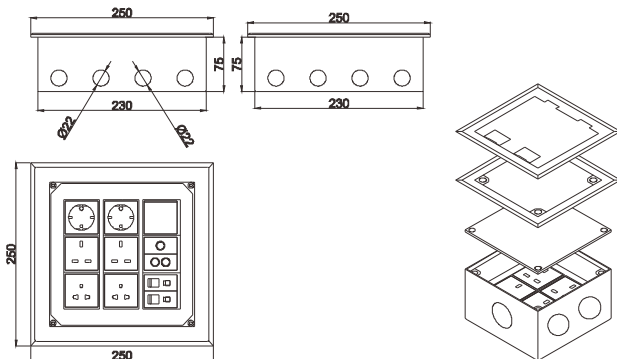


DK Cable Exit Code:DK



HK Cable Exit Code:HK

Outline Drawing: Unit:mm

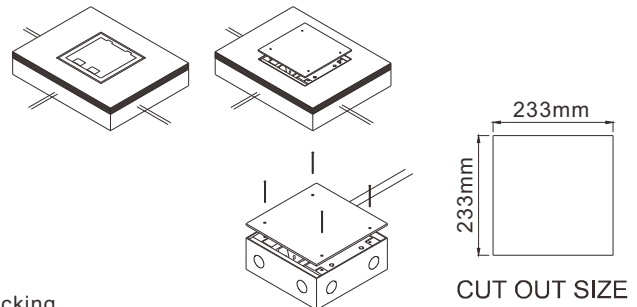


(Image is for reference only.)

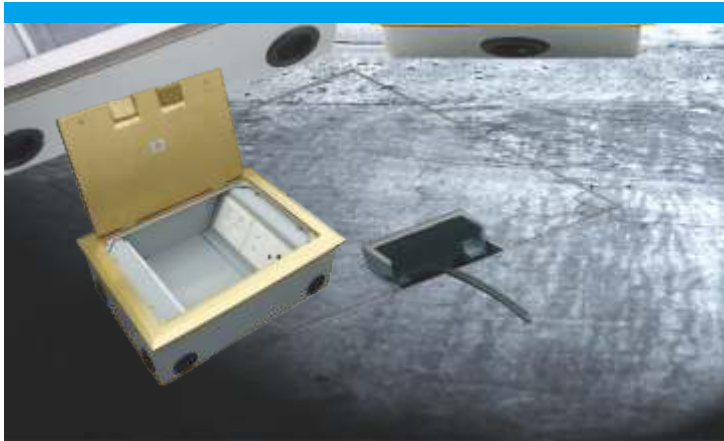
Package:4 Pcs inner box into a master carton.Poly bag with box packing.

Installation Guide

- 1.Remove the panel from the bottom box along with the electrical modules.
- 2.Fix the flooring with spare screws on the bottom box and place it in the embedded hole.
- 3.The flooring surface shall be at least level with the ground or 20mm below the ground.
- 4.Remove flooring surface ,Insert the 10--12mm lead head into the terminal of floor box.
- 5.Fix the panel to the bottom box with screws.



233mm
233mm
CUT OUT SIZE



HTD-240JH
Bottom Box



HTD-251-CP
Cover Plate

CKD/SKD is welcome!

Desktop Socket

POB Series
Floor Socket

Switch

Accessories

HTD-251CK(P) POB Series: Junction Box/Power Box/Ground Tank

Features:

- 1.Application: Recessed stage floor box provides versatile solution to accessing power, audio and visual equipment through floor .
- 2.More plug top clearance:side-mounting installation of frame /modules.
- 3.Hinged lid thickness over 4~4.5m , static pressure over 1000N .
- 4.Cold-rolled Steel box thickness over 1.5~2.0mm with powder coated.

Technical Parameters :

Parameter	Description
Panel Material	Brass alloy(H62)/Stainless steel(304)
Panel Dimension(mm)	250*180
Cutout(mm)	240*170
Capacity of modules	10 ways modules

Brass Alu alloy Stainless

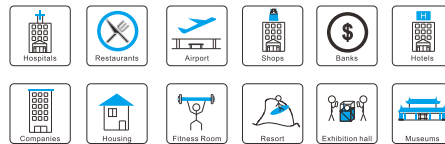
Cable Exit Protective Port



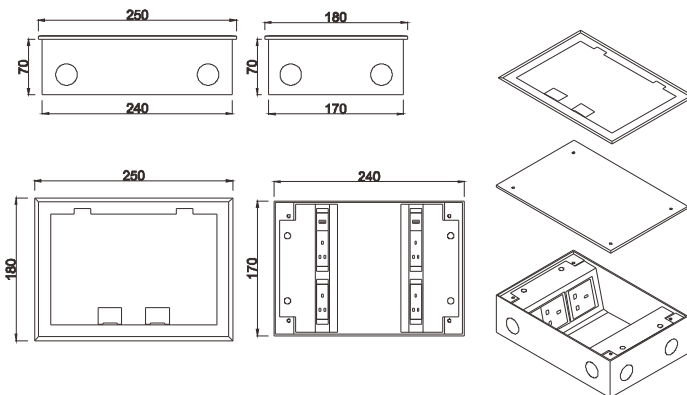
DK cable outlet fixing



HK cable outlet fixing



Outline Drawing: Unit:mm

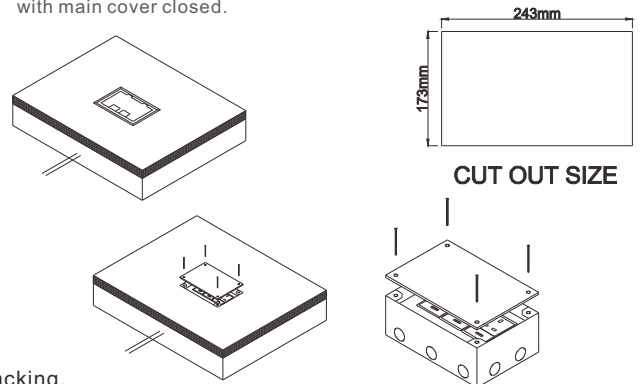


(Image is for reference only.)

Package:6 Pcs inner box into a master carton.Poly bag with box packing.

Installation Guide

- 1.The lid was opened at 90 degrees : Open the cover with the ground 90 degrees, furthermore , open and ground into a 180 degree flat is also available.When using, open the cover horizontally to the floor to avoid accident potential and product damage caused by cover erection.
- 2.Simple installation: Hinged cover with screw fix to steel box body.
- 3.The outlet way of the line can be chosen,DK type cable exit or HK type cable exit:The outlet port(reverse) can lead multi-strand wire cable out of the floor socket and effectively protect the wire cable skin against damaging. This cord outlet flaps fold down when in use to all cords out with main cover closed.



CUT OUT SIZE

Desktop Socket

POB Series Floor Socket

Switch

Accessories



HTD-290JH
Bottom Box

HTD-300-CP
Cover Plate

CKD/SKD is welcome!

HTD-300K(P) POB Series: Junction Box/Power Box/Ground Tank

Features:

- 1.Application: Recessed stage floor box provides versatile solution to accessing power, audio and visual equipment through floor .
- 2.Lid degree against floor:90.
- 3.Hinged lid thickness over 4~4.5m , static pressure over 1000N .
- 4.Cold-rolled Steel box thickness over 1.5~2.0mm with powder coated.

Technical Parameters :

Parameter	Description
Panel Material	Brass alloy(H62)/Stainless steel(304)
Panel Dimension(mm)	2300*150
Cutout(mm)	290*140
Capacity of modules	12 ways modules

Brass
 Alu alloy
 Stainless

Cable Exit Protective Port



DK cable outlet fixing



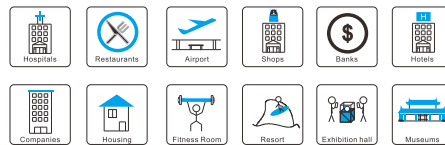
HK cable outlet fixing



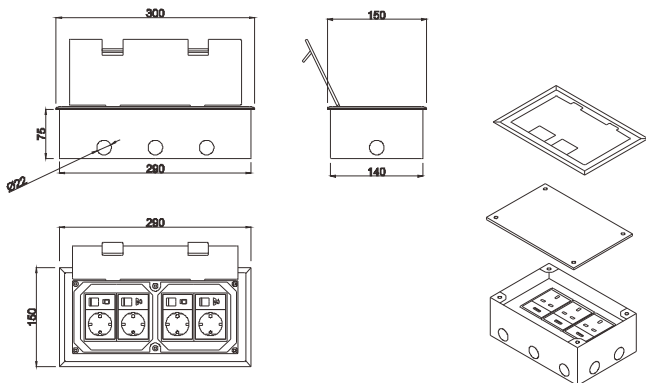
DK Cable Exit Code:DK



HK Cable Exit Code:HK



Outline Drawing: Unit:mm

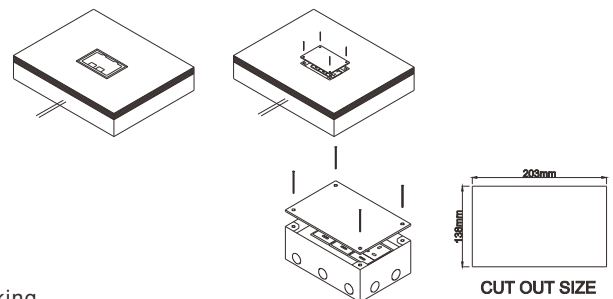


(Image is for reference only.)

Package:6 Pcs inner box into a master carton.Poly bag with box packing.

Installation Guide

- 1.Remove the panel from the bottom box along with the electrical modules.
- 2.Fix the flooring with spare screws on the bottom box and place it in the embedded hole.
- 3.The flooring surface shall be at least level with the ground or 20mm below the ground.
- 4.Remove flooring surface ,Insert the 10--12mm lead head into the terminal of floor box.
- 5.Fix the panel to the bottom box with screws.





Desktop Socket

POB Series Floor Socket

Switch

Accessories

HTD-127ZAP

POB Series: Junction Box/Power Box/Ground Tank

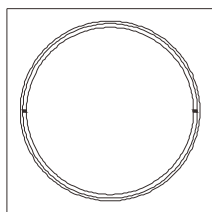
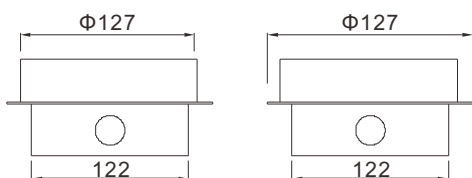
Features:

1. Swivel type floor socket
2. Larger capacity for power and communication outlets recessed in the floor.
3. Frame lid recess : with cavity depth 20mm.

Technical Parameters :

Parameter	Description
Panel Material	Stainless steel (304)
Panel Dimension(mm)	Φ127
Cutout(mm)	125*125
Capacity of modules	3 ways modules
Horizontal mounting	Horizontal installation
Available module	45*45/22.5*45(mm)

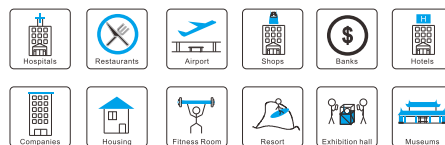
Outline Drawing: Unit:mm



(Image is for reference only.)

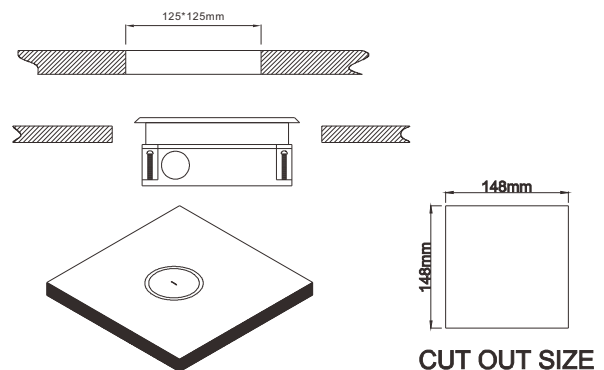
Package:8 Pcs inner box into a master carton. Poly bag with box packing.

- Brass
 Alu alloy
 Stainless



Installation Guide

1. Remove the panel from the bottom box along with the electrical modules.
2. Fix the flooring with spare screws on the bottom box and place it in the embedded hole.
3. The flooring surface shall be at least level with the ground or 20mm below the ground.
4. Remove flooring surface , Insert the 10--12mm lead head into the terminal of floor box.
5. Fix the panel to the bottom box with screws.



Desktop Socket



POB Series Floor Socket

HTD-130LX/HTD-130LXP

POB Series: Junction Box/Power Box/Ground Tank

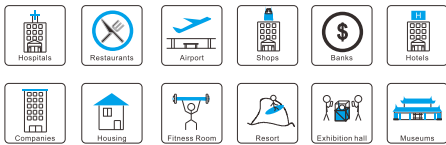
Features:

1. 4 direction junction boxes :configured with up to four opening sides in combinations to provide for a wide variety of duct applications.
2. Junction boxes have adjustable cover plate assemblies which allow for adjustment upwards permitting accurate leveling to the finished floor.
3. A series of stainless or brass pans and rings are available to accept a wide range of floor finishes.

Technical Parameters :

Parameter	Description
Panel Material	Brass alloy (H62)/Stainless steel(304)
Panel Dimension(mm)	Φ130
Cutout(mm)	122*122
Capacity of modules	2 ways modules
Horizontal mounting	Horizontal installation
Base box dimension(mm)	120*120*60
Available modules	45*45/22.5*45(mm)

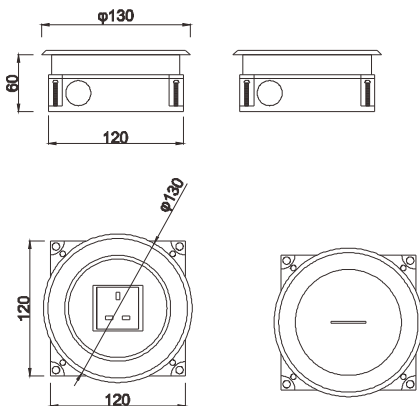
Switch



Brass Alu alloy Stainless

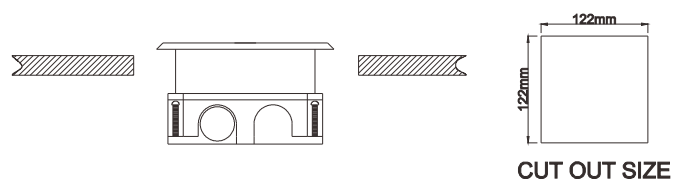
Accessories

Outline Drawing: Unit:mm



Installation Guide

1. Remove the panel from the bottom box along with the electrical modules.
2. Fix the flooring with spare screws on the bottom box and place it in the embedded hole.
3. The flooring surface shall be at least level with the ground or 20mm below the ground.
4. Remove flooring surface ,Insert the 10--12mm lead head into the terminal of floor box.
5. Fix the panel to the bottom box with screws.



CUT OUT SIZE

(Image is for reference only.)

Package:8 Pcs inner box into a master carton.Poly bag with box packing.



Desktop Socket

POB Series
Floor Socket

Switch

Accessories

HTD-140YK/HTD-140YKP

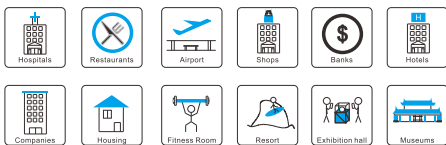
POB Series:
Junction Box/Power Box/
Ground Tank

Features:

1. 4 direction junction boxes :configured with up to four opening sides in combinations to provide for a wide variety of duct applications.
2. Junction boxes have adjustable cover plate assemblies which allow for adjustment upwards permitting accurate leveling to the finished floor.
3. A series of stainless or brass pans and rings are available to accept a wide range of floor finishes.

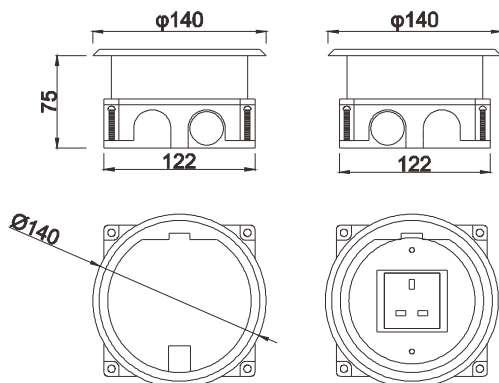
Technical Parameters :

Parameter	Description
Panel Material	Brass alloy (H62)/Stainless steel(304)
Panel Dimension(mm)	Φ140
Cutout(mm)	125*125
Capacity of modules	2 ways modules
Horizontal mounting	Horizontal installation
Sink box Material	Steel+Zinc plated
Base box dimension(mm)	125*125*60
Available modules	45*45/22.5*45(mm)



Brass
 Alu alloy
 Stainless

Outline Drawing: Unit:mm

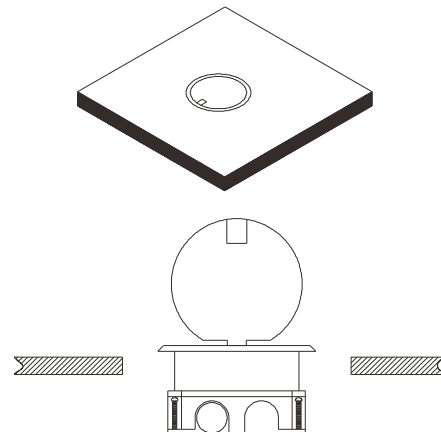


(Image is for reference only.)

Package:8 Pcs inner box into a master carton.Poly bag with box packing.

Installation Guide

The concrete is then added to keep it level with the ground



Desktop Socket



POB Series Floor Socket

HTD-160LX/HTD-160LXP

POB Series: Junction Box/Power Box/Ground Tank

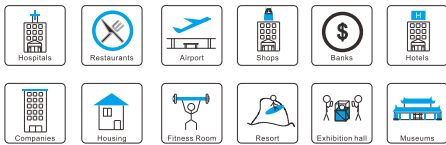
Features:

1. 4 direction junction boxes :configured with up to four opening sides in combinations to provide for a wide variety of duct applications.
2. Junction boxes have adjustable cover plate assemblies which allow for adjustment upwards permitting accurate leveling to the finished floor.
3. A series of stainless or brass pans and rings are available to accept a wide range of floor finishes.
4. More Capacity: Switched socket single.

Technical Parameters :

Parameter	Description
Panel Material	Brass alloy (H62)/Stainless steel(304)
Panel Dimension(mm)	Φ160
Cutout(mm)	148*148
Capacity of modules	3 ways modules
Horizontal mounting	Horizontal installation
Sink box Material	Steel+Zinc plated
Base box dimension(mm)	145*145*60
Available modules	45*45/22.5*45(mm)

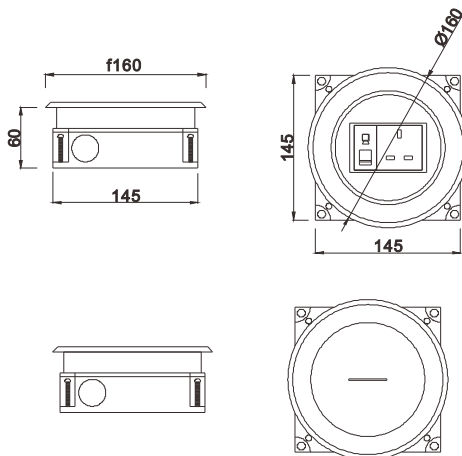
Switch



Accessories

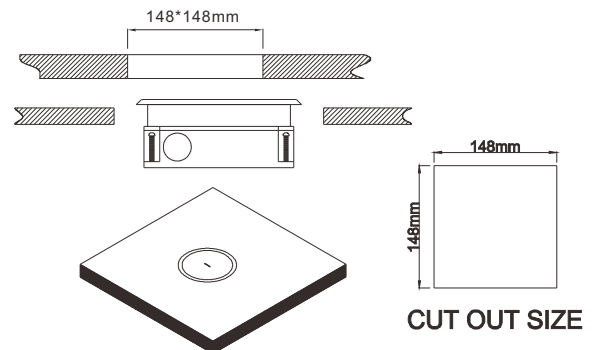
Brass Alu alloy Stainless

Outline Drawing:



Installation Guide

1. Remove the panel from the bottom box along with the electrical modules.
 2. Fix the flooring with spare screws on the bottom box and place it in the embedded hole.
 3. The flooring surface shall be at least level with the ground or 20mm below the ground.
 4. Remove flooring surface ,Insert the 10--12mm lead head into the terminal of floor box.
 5. Fix the panel to the bottom box with screws.
- The concrete is then added to keep it level with the ground

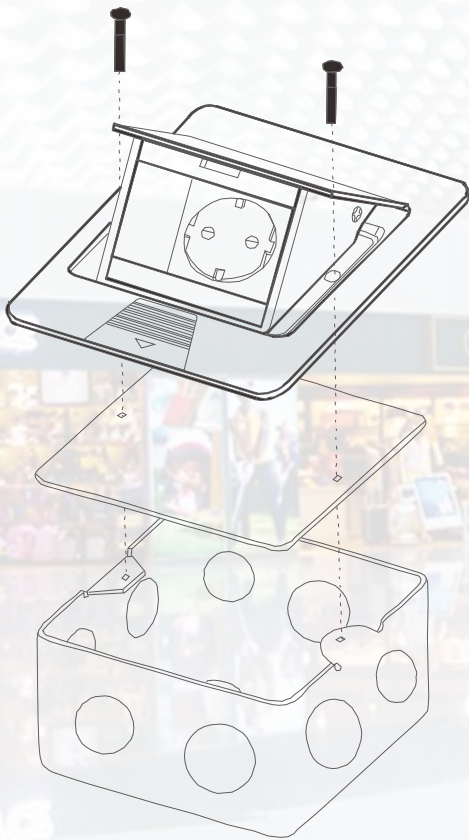


(Image is for reference only.)

Package:8 Pcs inner box into a master carton.Poly bag with box packing.

Service Outlet Box

Full-range Optional



IP44,IP22 level



3 way/4way/6 way Capacity



Color Sample (Remark: or refer to RAL or Pantone)



BR:Brass H62

P:stainless 304

L:aluminum alloy

CH:chrome



NK:nickel



ZI:zinc



Pb:powder peel black



BZ:bronze

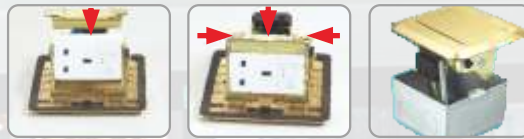
Square/Round Shape





Feature

>> Easy-Install



>> Fast-Wiring



>> Patent Damping Device



Soft Pop-up
Code:ZN



Pop-up
Slowly



More
Safety



10 times
the floor socket equipped with soft
starting device, the opening speed
of which is 10 times slower than
regular products. state for opening:
uniform speed, slow.

>> Heavy Material Box



>> Ultrathin Lid





Desktop Socket

SOB Series Floor Socket

Switch

Accessories

FD-221 SOB Series: Service Outlet Box

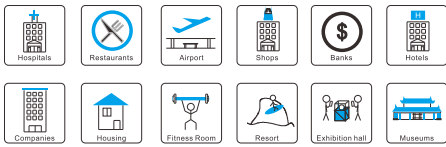
Features:

1. Ultrathin plate: < 5mm..
2. Reliable press button: >5000 times.
3. Fast-wiring: more terminal block for 1~2.5m² rigid wire or 0.5~6m² prepared flexible wire.

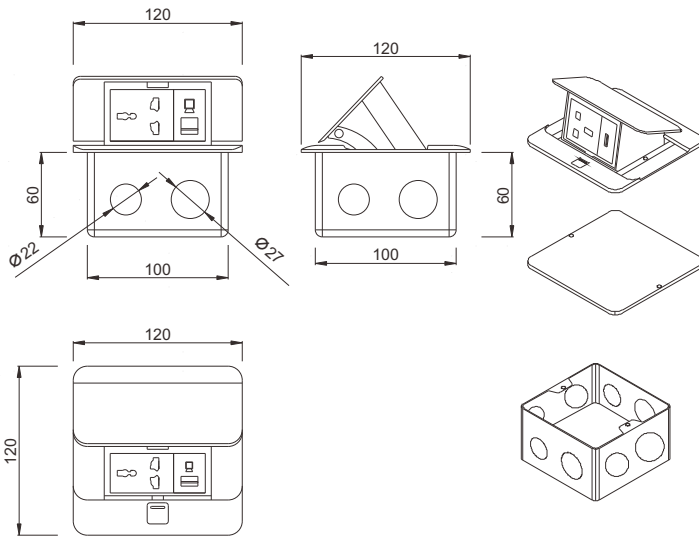
Technical Parameters :

Parameter	Description
Panel Material	Brass alloy(H62)
Panel Dimension(mm)	120*120
Cutout(mm)	105x105
Capacity of modules	3 ways modules
Sink box Thickness	1.2mm

Brass
 Alu alloy
 Stainless



Outline Drawing: Unit:mm

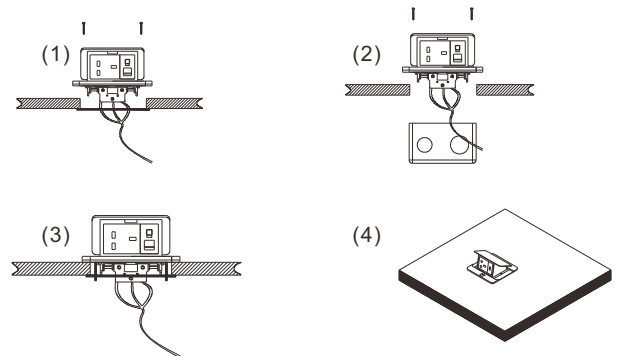


(Image is for reference only.)

Package:20 Pcs inner box into a master carton.Poly bag with box packing.

Installation Guide

1. Swing out from its floor mounted frame thru a spring attached finger level. Outlet bracket is attached to its pop up cover .
2. Remove panel from the bottom box along with the electrical modules.
3. Remove lid surface , Insert the 10--12mm lead head into the terminal of floor box.
4. Fix the flooring with spare screws on bottom box and place it in embedded hole



Desktop Socket

SOB Series Floor Socket

Switch

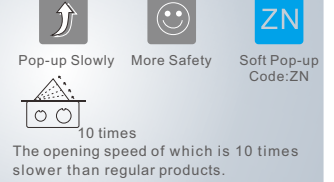
Accessories



1.Easy-Installation



3.Safety Damping Device



2.Fast-Wiring



4.Heavy Material Box



HTD-1/1L

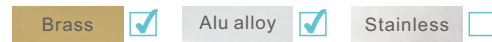
 SOB Series: Service Outlet Box

Features:

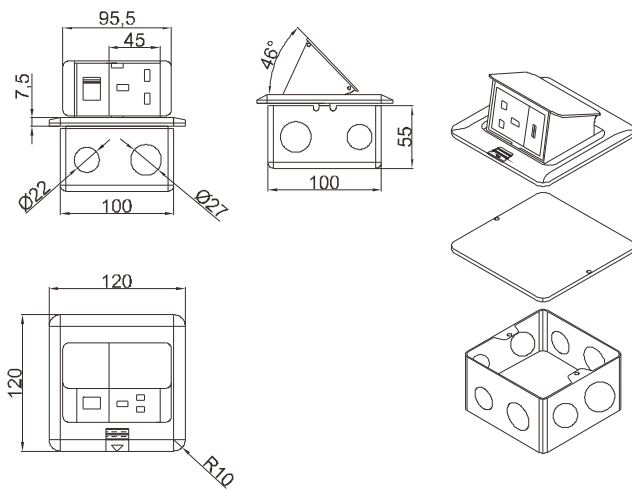
- 1.Fast-wiring: more terminal block for 1~2.5m² rigid wire or 0.5~6m² prepared flexible wire.
- 2.Easy-Installation: Patented technology of clip flush mounting frame of modules replacement. Save labor cost.
- 3.Reliable push button: >5000 times.

Technical Parameters :

Parameter	Description
Panel Material	Brass alloy(H62)/Alu alloy(6061)
Panel Dimension(mm)	120*120
Cutout(mm)	105x105
Capacity of modules	3 ways modules
Sink box Thickness	1.2mm



Outline Drawing: Unit:mm

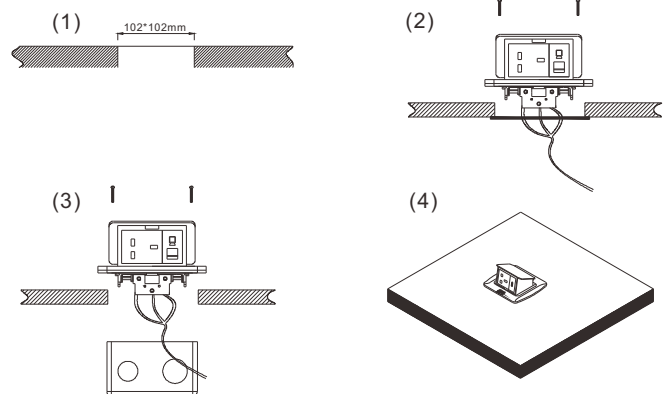


(Image is for reference only.)

Package:20 Pcs inner box into a master carton.Poly bag with box packing.

Installation Guide

- 1.Cut out size : 120*120mm.Install the bottom box with panel into the specified location.
- 2.Screw mounting frame and panel(for desktop only).
- 3.Fix the panel and bottom box with screws(This item is for ground installation only).
- 4.ADjust the tightness of all wiring lines (no influence on opening).





Desktop Socket

SOB Series Floor Socket

Switch

Accessories

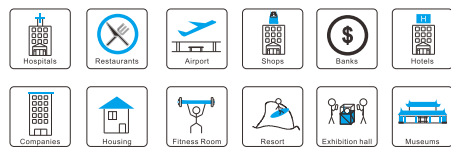
HTD-2/HTD-2P SOB Series: Service Outlet Box

Features:

- 1.Fast-wiring: more terminal block for 1~2.5m² rigid wire or 0.5~6m² prepared flexible wire.
- 2.Easy-Installation: Patented technology of clip flush mounting frame of modules replacement. Save labor cost.
- 3.Reliable push button: >5000 times.

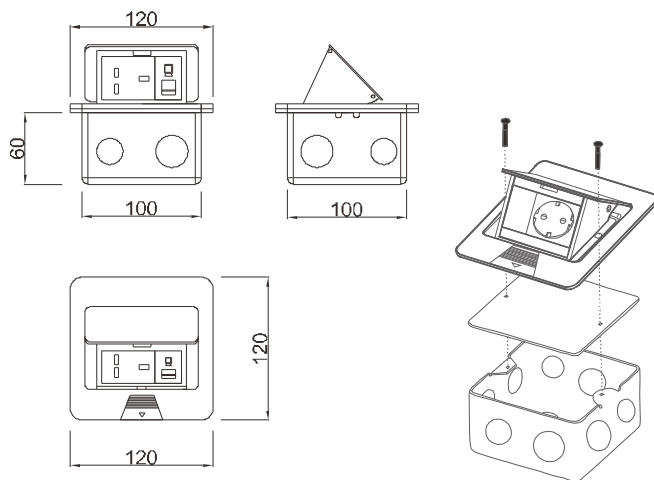
Technical Parameters :

Parameter	Description
Panel Material	Brass alloy(H62)/Stainless(304)
Panel Dimension(mm)	120*120
Cutout(mm)	105*105
Capacity of modules	3 ways modules
Available modules	45*45mm or 45*22.5mm
Sink box Thickness	1.2mm



- Brass Alu alloy Stainless

Outline Drawing: Unit:mm

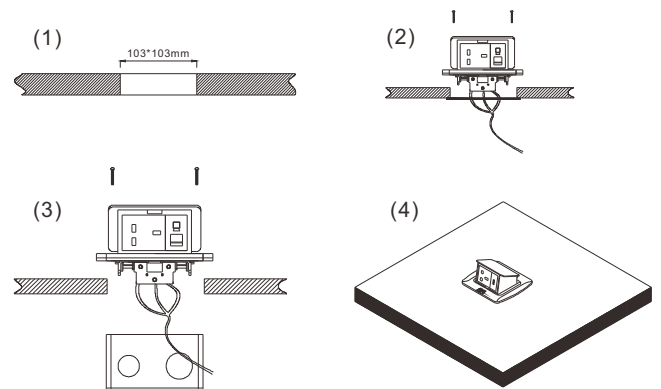


(Image is for reference only.)

Package:20 Pcs inner box into a master carton.Poly bag with box packing.

Installation Guide

- 1.Cut out size :103*103mm.Install the bottom box with panel into the specified location.
- 2.Screw mounting frame and panel(for desktop only).
- 3.Fix the panel and bottom box with screws(This item is for ground installation only).
- 4.Adjust the tightness of all wiring lines (no influence on opening).



Desktop Socket

SOB Series Floor Socket

Switch

Accessories



HTD-3/HTD-3P SOB Series: Service Outlet Box

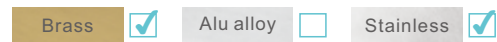
Features:

1. Easy Die-cut: round shape of $\varnothing 120\text{mm}$.
2. Fast-wiring: more terminal block for 1~2.5m² rigid wire or 0.5~6m² prepared flexible wire.
3. Easy-Installation: Patented technology of clip flush mounting frame of modules replacement. Save labor cost.

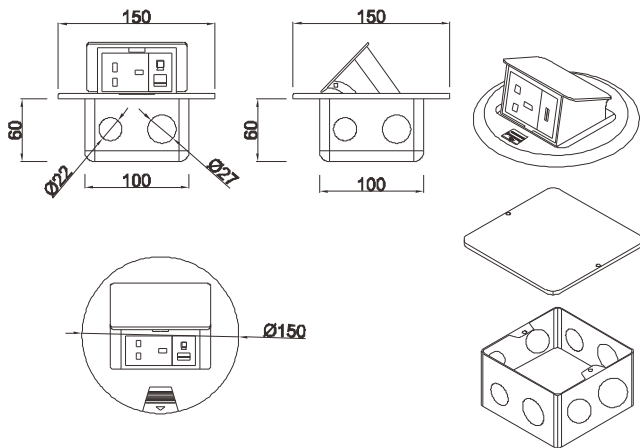


Technical Parameters :

Parameter	Description
Panel Material	Brass alloy(H62)/Stainless(304)
Panel Dimension(mm)	$\varnothing 120$
Cutout(mm)	$\varnothing 105$
Capacity of modules	3 ways modules
Available modules	45*45/45*22.5(mm)
Sink box Thickness	1.2mm



Outline Drawing: Unit:mm

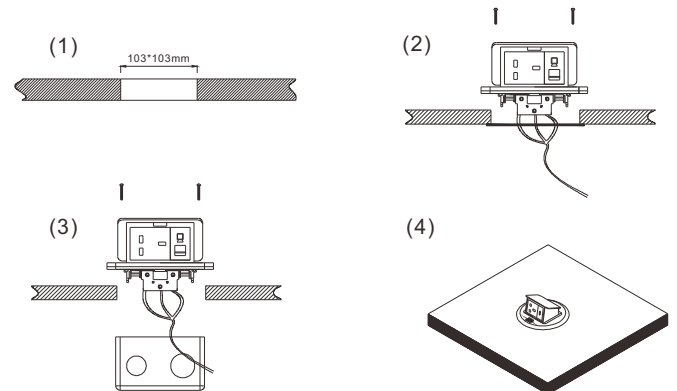


(Image is for reference only.)

Package: 18 Pcs inner box into a master carton. Poly bag with box packing.

Installation Guide

1. Cut out size : 120*120mm. Install the bottom box with panel into the specified location.
2. Screw mounting frame and panel(for desktop only).
3. Fix the panel and bottom box with screws(This item is for ground installation only).
4. Adjust the tightness of all wiring lines (no influence on opening).





Desktop Socket

SOB Series Floor Socket

Switch

Accessories

HTD-7/7L SOB Series: Service Outlet Box

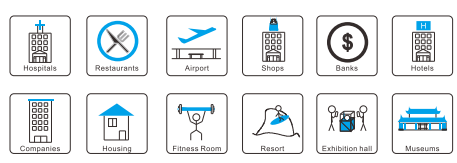
Features:

1. Easy Die-cut: round shape of $\varnothing 150\text{mm}$.
2. Fast-wiring: more terminal block for 1~2.5m² rigid wire or 0.5~6m² prepared flexible wire.
3. Easy-Installation: Patented technology of clip flush mounting frame of modules replacement. Save labor cost.

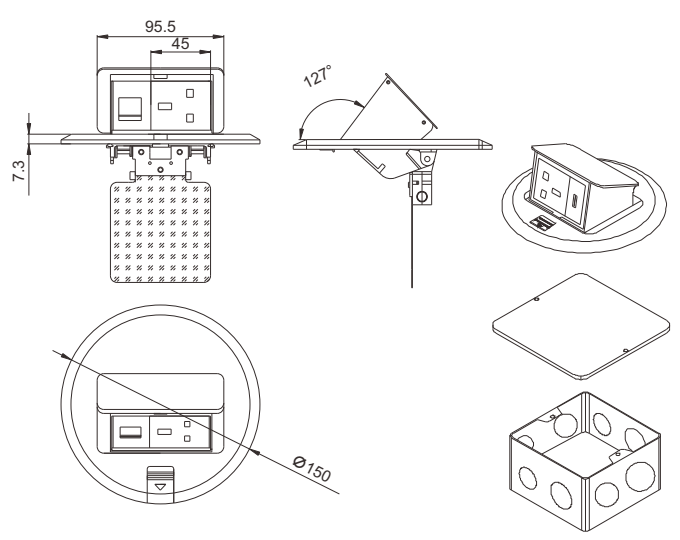
Technical Parameters :

Parameter	Description
Panel Material	Brass alloy(H62)/Alu alloy(6061)
Panel Dimension(mm)	$\varnothing 150$
Cutout(mm)	105x105
Capacity of modules / Interface size	3 ways modules(36*36 mm)
Sink box Thickness	1.2mm

- Brass Alu alloy Stainless



Outline Drawing: Unit:mm

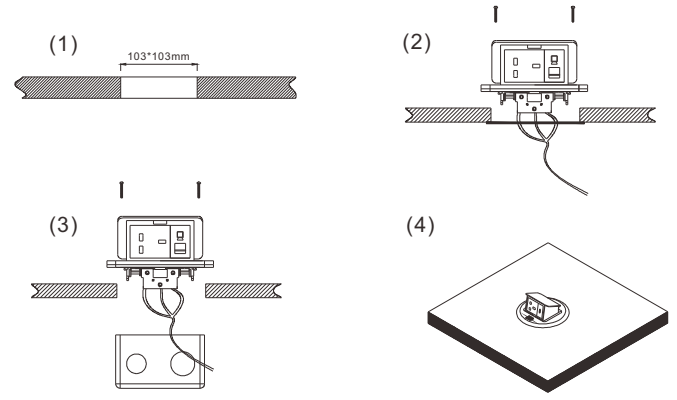


(Image is for reference only.)

Package: 18 Pcs inner box into a master carton. Poly bag with box packing.

Installation Guide

1. Cut out size : 120*120mm. Install the bottom box with panel into the specified location.
2. Screw mounting frame and panel(for desktop only).
3. Fix the panel and bottom box with screws(This item is for ground installation only).
4. Adjust the tightness of all wiring lines (no influence on opening).



Desktop Socket

SOB Series Floor Socket

Switch

Accessories



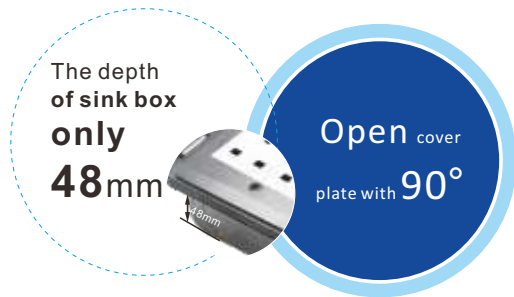
HTD-8/8P SOB Series: Service Outlet Box

Features:

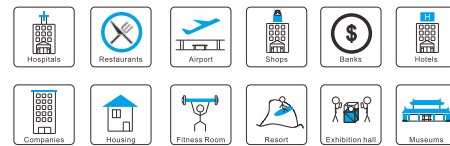
- 1.The depth of sink box :only 48mm ,especially for lower height floor ;
- 2.Surface seamless spring loaded lid IP44 level, preventing the dust and impurities entering into.
- 3.Made from high quality rust proof stainless steel(304) or copper(H62).

Technical Parameters :

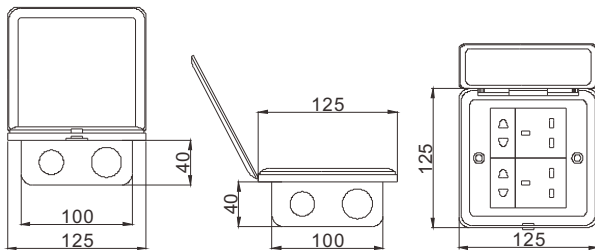
Parameter	Description
Panel Material	Brass alloy(H62)/Stainless(304)
Panel Dimension(mm)	125*125
Cutout(mm)	105*105
Capacity of modules /	6 ways modules
Interface size	
Available modules	45*45/22.5*45(mm)



Brass Alu alloy Stainless

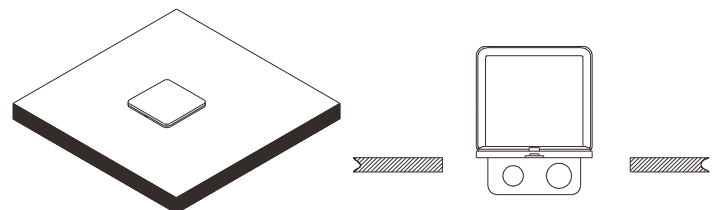


Outline Drawing: Unit:mm



Installation Guide

- 1.Remove the panel from the bottom box along with the electrical modules.
- 2.Fix the flooring with spare screws on the bottom box and place it in the embedded hole.
- 3.The flooring surface shall be at least level with the ground or 20mm below the ground.
- 4.Remove flooring surface ,Insert the 10--12mm lead head into the terminal of floor box.
- 5.Fix the panel to the bottom box with screws.

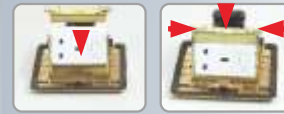


(Image is for reference only.)

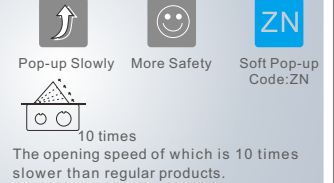
Package:20 Pcs inner box into a master carton.Poly bag with box packing.



1.Easy-Installation



3.Safety Damping Device



2.Fast-Wiring



4.Heavy Material Box



Desktop Socket

SOB Series Floor Socket

Switch

Accessories

HTD-16/16L SOB Series: Service Outlet Box

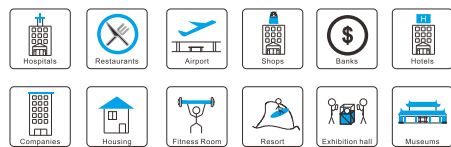
Features:

- 1.Fast-wiring: more terminal block for 1~2.5m² rigid wire or 0.5~6m² prepared flexible wire.
- 2. Easy-Installation: Patented technology of clip flush mounting frame of modules replacement. Save labor cost.
- 3. Reliable press button:>5000 times.

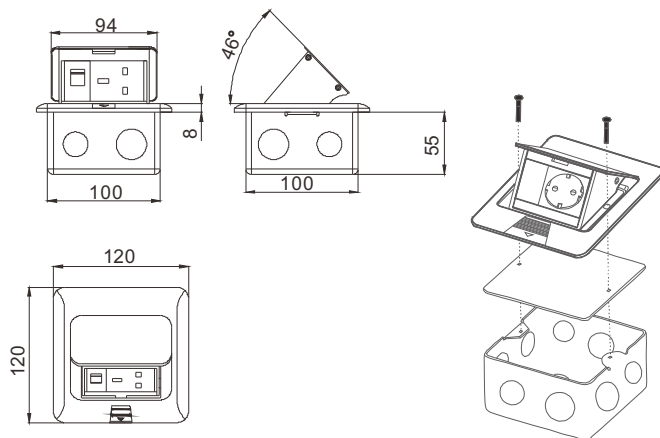
Technical Parameters :

Parameter	Description
Panel Material	Brass alloy(H62)/Alu alloy(6061)
Panel Dimension(mm)	120*120
Cutout(mm)	105x105
Capacity of modules / Interface size	3 ways modules(45*45 mm)
Sink box Thickness	1.2mm

- Brass
- Alu alloy
- Stainless

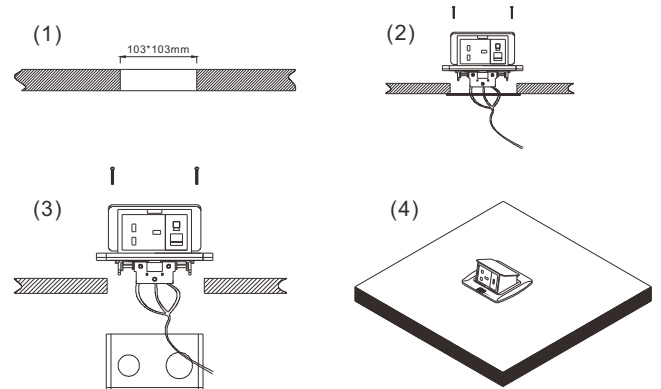


Outline Drawing: Unit:mm



Installation Guide

- 1.Cut out size: 103*103mm.Install the bottom box with panel into the specified location.
- 2.Screw mounting frame and panel(for desktop only).
- 3.Fix the panel and bottom box with screws(This item is for ground installation only).
- 4.Adjust the tightness of all wiring lines (no influence on opening).



(Image is for reference only.)

Package:20 Pcs inner box into a master carton.Poly bag with box packing.

Desktop Socket

SOB Series Floor Socket

Switch

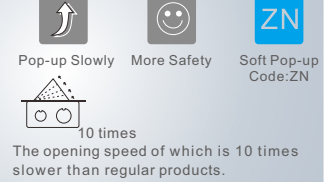
Accessories



1. Easy-Installation



3. Safety Damping Device



2. Fast-Wiring



4. Heavy Material Box



HTD-18/18L

 SOB Series: Service Outlet Box

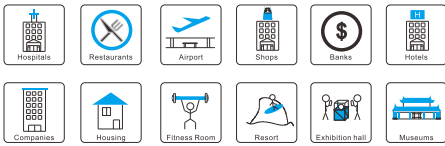
Features:

1. Fast-wiring: more terminal block for 1~2.5m² rigid wire or 0.5~6m² prepared flexible wire.
2. Easy-Installation: Patented technology of clip flush mounting frame of modules replacement. Save labor cost.
3. Reliable press button:>5000 times.

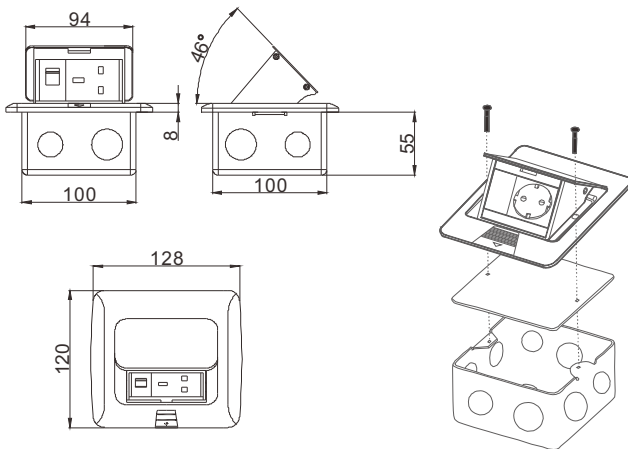
Technical Parameters :

Parameter	Description
Panel Material	Brass alloy(H62)/Alu alloy(6061)
Panel Dimension(mm)	128*120
Cutout(mm)	105x105
Capacity of modules / Interface size	3 ways modules(45*45 mm)
Sink box Thickness	1.2mm

- Brass Alu alloy Stainless



Outline Drawing: Unit:mm

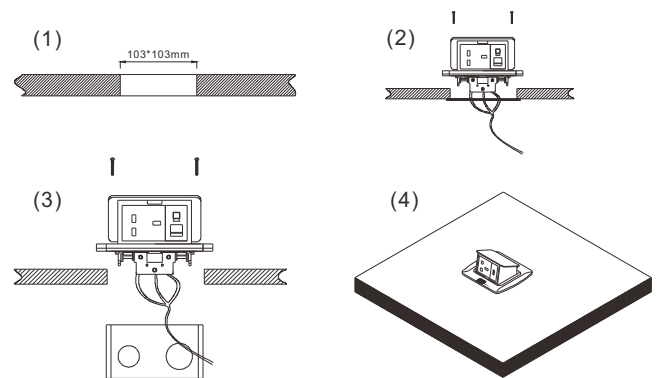


(Image is for reference only.)

Package:20 Pcs inner box into a master carton.Poly bag with box packing.

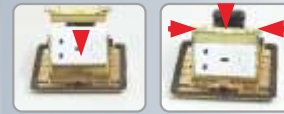
Installation Guide

1. Cut out size:103*103mm. Install the bottom box with panel into the specified location.
2. Screw mounting frame and panel(for desktop only).
3. Fix the panel and bottom box with screws(This item is for ground installation only).
4. Adjust the tightness of all wiring lines (no influence on opening).

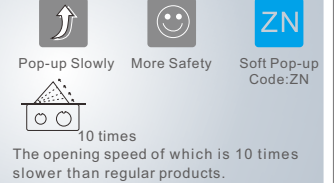




1.Easy-Installation



3.Safety Damping Device



2.Fast-Wiring



4.Heavy Material Box



Desktop Socket

SOB Series Floor Socket

Switch

Accessories

HTD-26/26L SOB Series: Service Outlet Box

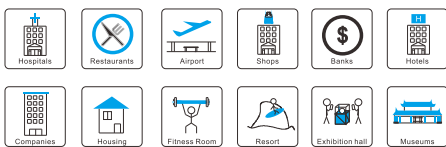
Features:

1. More outlet capacity: double power socket or one power socket + RJ45 computer +RJ11 telephone/2.1A USB charger. .
2. Reliable press button:>5000 times
3. Durable receptacle: Elastic phosphor copper ,high conductivity, pulling and plugging > 15000 times.

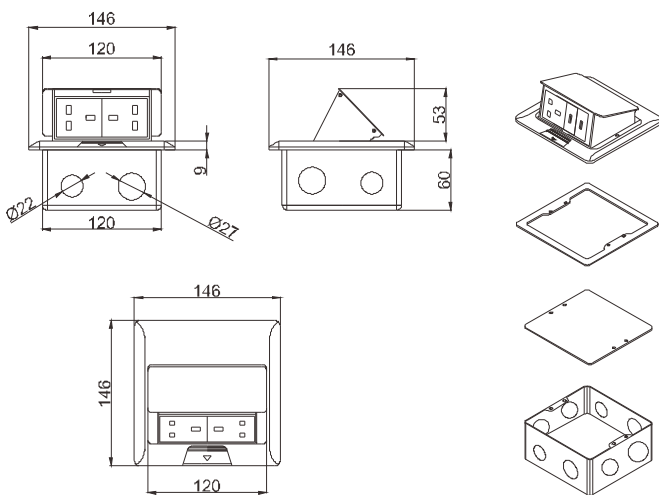
Technical Parameters :

Parameter	Description
Panel Material	Brass alloy(H62)/Alu alloy(6061)
Panel Dimension(mm)	146x146
Cutout(mm)	125*125
Capacity of modules /	4 ways modules(45*45 mm)
Interface size	
Sink box Thickness	1.2mm

- Brass Alu alloy Stainless

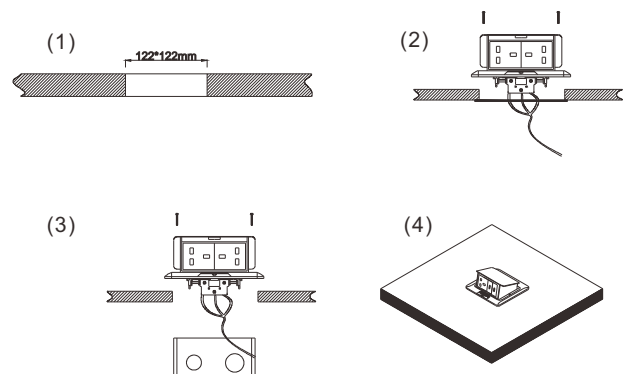


Outline Drawing: Unit:mm



Installation Guide

- 1.Cut out size : 123*123mm.Install the bottom box with panel into the specified location.
- 2.Screw mounting frame and panel(for desktop only).
- 3.Fix the panel and bottom box with screws(This item is for ground installation only).
- 4.Adjust the tightness of all wiring lines (no influence on opening).



(Image is for reference only.)

Package: 12 Pcs inner box into a master carton.Poly bag with box packing.

Desktop Socket

SOB Series Floor Socket

Switch

Accessories



HTD-28/28L SOB Series: Service Outlet Box

Features:

1. More outlet capacity: double power socket or one power socket + RJ45 computer + RJ11 telephone/2.1A USB charger. .
2. Reliable press button:>5000 times
3. Durable receptacle: Elastic phosphor copper ,high conductivity, pulling and plugging > 15000 times.

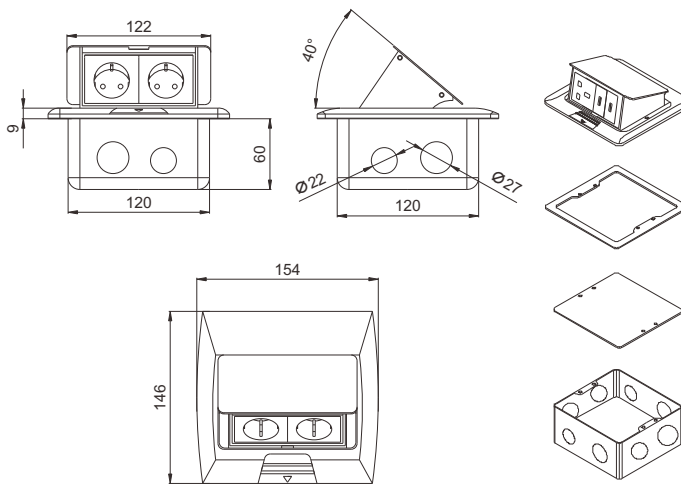
Technical Parameters :

Parameter	Description
Panel Material	Brass alloy(H62)/Alu alloy(6061)
Panel Dimension(mm)	154x146
Cutout(mm)	125*125
Capacity of modules /	4 ways modules(45*45 mm)
Interface size	
Sink box Thickness	1.2mm

- Brass Alu alloy Stainless

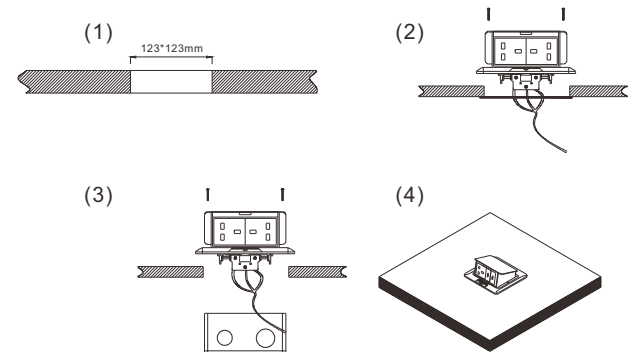


Outline Drawing: Unit:mm



Installation Guide

1. Cut out size: 123*123mm. Install the bottom box with panel into the specified location.
2. Screw mounting frame and panel(for desktop only).
3. Fix the panel and bottom box with screws(This item is for ground installation only).
4. Adjust the tightness of all wiring lines (no influence on opening).



(Image is for reference only.)

Package: 12 Pcs inner box into a master carton.Poly bag with box packing.



Desktop Socket

SOB Series Floor Socket

Switch

Accessories

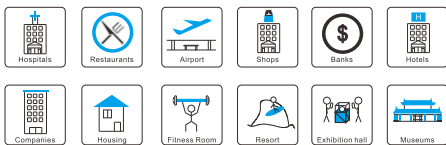
HTD-1602/1602L SOB Series: Service Outlet Box

Features:

1. Duplex receptacle with power socket and network.
2. With 2*Patent damping device, more soft speed.
3. Silver and brass color surface finish are optional.

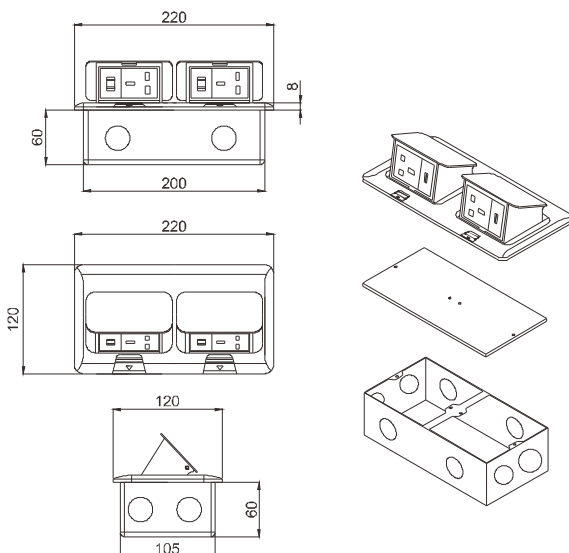
Technical Parameters :

Parameter	Description
Panel Material	Brass alloy(H62)/Alu alloy(6061)
Panel Dimension(mm)	220x120
Cutout(mm)	205*110
Capacity of modules /	6 ways modules((45*45 mm)
Interface size	
Sink box Thickness	1.2mm



- Brass Alu alloy Stainless

Outline Drawing: Unit:mm

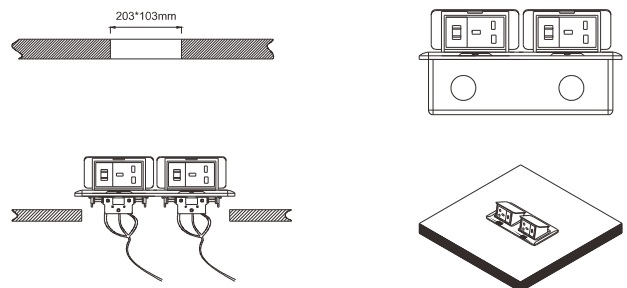


(Image is for reference only.)

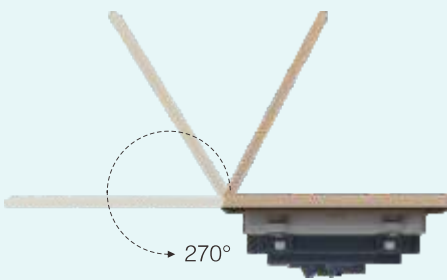
Package: 12 Pcs inner box into a master carton. Poly bag with box packing.

Installation Guide

1. Hold the lid down with your hand, Pull the push button as the direction, Panel popup
2. Remove panel from the bottom box along with the electrical modules.
3. Fix the flooring with spare screws on bottom box and place it in embedded hole.
4. The flooring surface shall be at least level with the ground or 20mm below the ground.
5. Remove lid surface, Insert the 10--12mm lead head into the terminal of floor box.
6. Fix the panel to the bottom box with screws.



Flip Up Socket Series



HTD-101



HTD-102

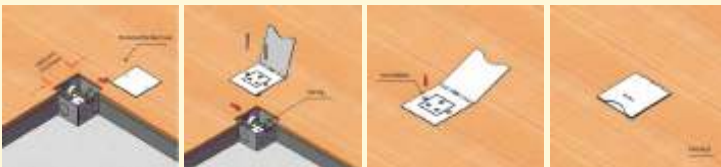


HTD-103

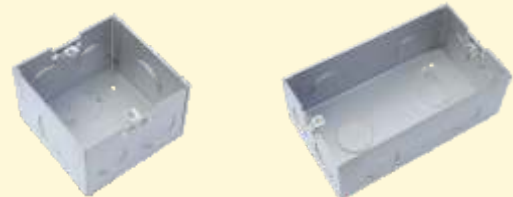


FD-777

Installation



Bottom Box



More Protection

Polish material protect from oil and water



Say No



Oil



Water



Desktop Socket

FUS Series
Floor Socket

Switch

Accessories



HTD-101/101P FUS Series: 1 Gang single flap up socket

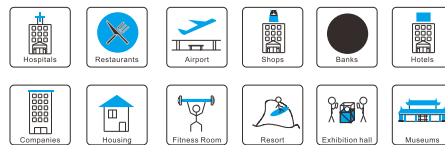
Features:

1. More Strong Scratch Resistance from Brass/Stainless.
2. Ultra slim panel < 4mm.
3. Standard 86*86 type for flush mounting bottom box.

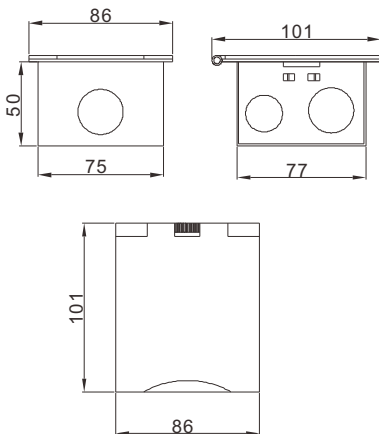
Technical Parameters :

Parameter	Description
Panel Material	Brass alloy(H62)/Stainless steel(304)
Panel Dimension(mm)	81*102
Cutout(mm)	80*82
Capacity of modules /	2 ways modules
Interface size	

- Brass
 Alu alloy
 Stainless

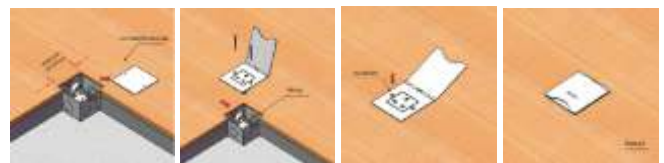


Outline Drawing: Unit:mm



Installation Guide

1. Cut out: insert sink box or floor box into flooring material
2. Dispose receptacle: Gently press the outlet and lift the lid to reveal the module inside. (Another way is to open the lid directly to expose the functional module).
3. Wiring: Insert the 10--12mm lead head into the terminal block.
4. Fix: Fix the flooring with spare screws on bottom box through embedded hole.



(Image is for reference only.)

Package:50 Pcs inner box into a master carton.Poly bag with box packing.



Desktop Socket

FUS Series Floor Socket

Switch

Accessories

HTD-102/102P FUS Series: 2 Gang Duplex flap up socket

Features:

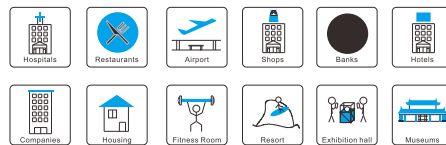
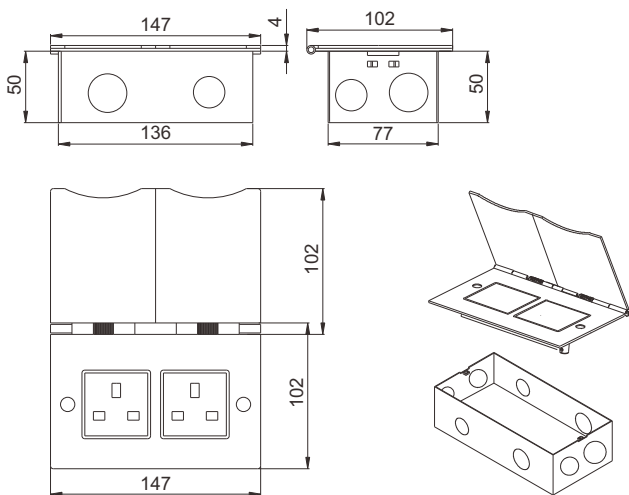
- 1. More Strong Scratch Resistance from Brass/Stainless.
- 2. Ultra slim panel < 4mm.
- 3. Standard 86*86 type for flush mounting bottom box.

Technical Parameters :

Parameter	Description
Panel Material	Brass alloy(H62)/Stainless steel(304)
Panel Dimension(mm)	147*102
Cutout(mm)	140*82
Capacity of modules /	4 ways modules
Interface size	

- Brass
- Alu alloy
- Stainless

Outline Drawing: Unit:mm



Installation Guide

1. Cut out: insert sink box or floor box into flooring material
2. Dispose receptacle: Gently press the outlet and lift the lid to reveal the function keys inside. (Another way is to open the lid directly to expose the functional module).
3. Wiring: Insert the 10--12mm lead head into the terminal block.
4. Fix: Fix the flooring with spare screws on bottom box through embedded hole.



(Image is for reference only.)

Package: 30 Pcs inner box into a master carton. Poly bag with box packing.

Desktop Socket



FUS Series Floor Socket

HTD-103 FUS Series: 3 ways polish flip up socket

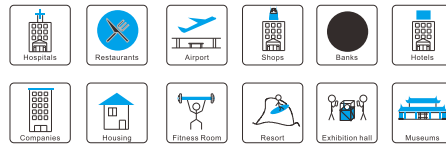
Features:

1. Well-polished nano technology material with protect from oil and water splash entry into insert of socket. Adapt for wall installation in Kitchen cabinet or wall of hotel & villa.
2. Coverplate open degree over 270 degree rotating.
3. Standard 86*86 type for flush mounting bottom box.

Technical Parameters :

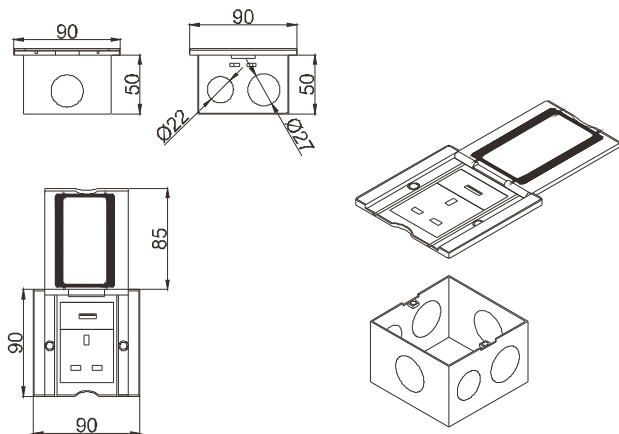
Parameter	Description
Panel Material	Zinc alloy
Panel Dimension(mm)	90*90
Cutout(mm)	80*82
Capacity of modules	3 ways modules

Switch



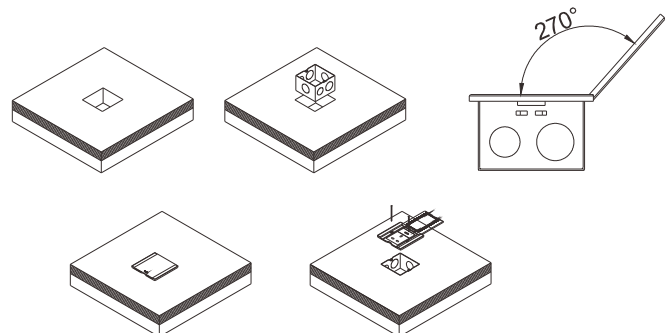
Accessories

Outline Drawing: Unit:mm



Installation Guide

1. Floor box
2. Steel armored conduit
3. Casting screed
4. Heavy current/Data systems.
5. Connecting and earthing
6. Single outlet
7. Levelling to floor



(Image is for reference only.)

Package:50 Pcs inner box into a master carton.Poly bag with box packing.



IP55



Desktop Socket

FUS Series Floor Socket

Switch

Accessories

FD-777 FUSseries:IP55 socket

Features:

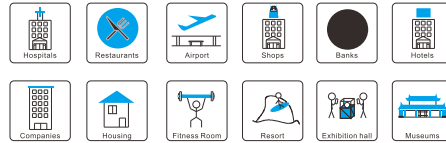
- 1.Protect stumbling: Flush mounting on floor and protect children stumbling .
- 2.**IP55** : Connected with power supply over IP 55 level.
- 3.Rotating modules mechanism: more plug top clearance. Furthermore, enhance lifetime receptacle .
- 4.Soft silica seal cable exit: Protect cable exit from scratching from cover plate of floor boxes.

Technical Parameters :

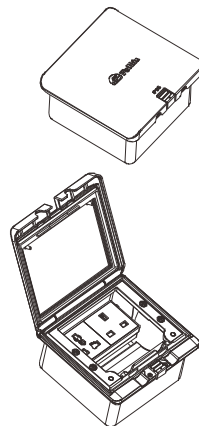
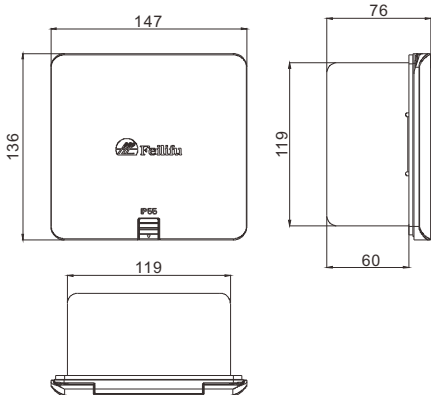
Parameter	Description
Panel Material	Brass alloy etc
Available modules	Type 45*45mm series
Panel Dimension(mm)	143*136
Cutout(mm)	
Capacity of modules /	124*124
Interface size	4 ways modules
IP Rating	IP Rated 55
Static Pressure force	Over 1000N



Test Report			
1.1 Test Conditions			
IP55	Use the Test Fixture as per the test opening, with the force of 10N.		
IP55	For the receptacle the test top with each cable (max 3mm) is held flat, test for 30min.		
IP55	Internal diameter of the nozzle is 3mm.		
IP55	Distance from nozzle to receptacle is 20mm.		
IP55	Distance from nozzle to receptacle is 20mm.		
1.2 Acceptance Criteria			
IP55	1. The Test Fixture cannot enter into the interior of the receptacle.		
IP55	2. There is no leakage under the test.		
IP55	3. The receptacle must show a small amount of water when tested, but not accumulated.		
IP55	4. Any water has drained, it will not.		
Use sufficient to ensure the correct operation of the equipment or major safety.			
-based on standard parts when a load test is being used, along the coverage distance, must be able to withstand and designed to separate when used.			
-accurate near the cable end or other the cable entry.			
1.3 Test Results			
Order No.	Test Series	Test Results	Remark
00100000000000000000	IP55	There is no leakage under the test.	IP55
00100000000000000000	IP55	There is no water entered into the interior of the receptacle.	IP55



Outline Drawing: Unit:mm



IP55



(Image is for reference only.)

Package: 12 Pcs inner box into a master carton.Poly bag with box packing.

Desktop Socket

Floor Socket

Accessories

Switch



45x45mm Module as Specification Legrand's Mosaic Series

Features:

1. Plastic Material Bayer 2805 PC(UL94V-0)
2. Shutter door :The shutter prevent accidental electric shock . The single pole can bear max 4KGF pressure;
3. Inserts inside:0.6mm thickness elastic phosphor copper avoids playing spark plug and plug set to bit dead ,ensure high conductivity , life of pulling and plugging over 15000 times.
4. Switch materials :Using silver-tin alloy or silver-nickel contacts, to strengthen conductivity of the switch;
5. More safety double pole: Socket with double pole auto switch type;
6. IEC60884 standard technical:Insulation strength as 100M Ω Min, test voltage as AC 2000V/Minute; contact Resistance: 50MΩ Max, Electronical life over 10000 min;
7. Easy-install modules design: One side two clip, four direction clip type;
8. Fast wiring: Screw type for fast wiring to save labor cost.

Product Picture	Item	Size (mm)	Description	Material	Product Picture	Item	Size (mm)	Description	Material
	F2	22.5x45	2 pin socket,10A, 250V	Polycarbonate		F3	45x45	3 pin 10A,220V;	Polycarbonate
	F4	45x45	3 pin multi function socket of 90 degree angle, 10A, 250V	Polycarbonate		F5	45x22.5	Swiss socket, 10A, 250V	Polycarbonate
	F8	22.5x45	USB charging, single port output 5VDC 2.1A, maximum charging current 1*2100mA, screw terminal, Support YD/T1591-2009, BC1.2, Apple and Samsung phone and IPAD.	Polycarbonate		F9	45x45	USB charging, dual port output 5VDC 2.1A, maximum charging current 1*2100mA, screw terminal, Support YD/T1591-2009, BC1.2, Apple and Samsung phone and IPAD.	Polycarbonate
	F11	45x45	BS socket, 13A, 250V; 2P+E with shutters socket;	Polycarbonate		F15	45x45	European socket(Schuko), 16A, 250V, Angle 0 degree or 90 degree, 2P+E, screw terminals;	Polycarbonate
	F15B	45x45	European socket(Schuko), 16A, 250V, Angle 45 degree, 2P+E, screw terminals;	Polycarbonate		F16	45x45	French Socket, 16A,250V	Polycarbonate
	F18	45x45	American socket, 16A, 250V; 2P+E with shutters socket;	Polycarbonate		F21	22.5x45	Cat 5e RJ45 socket with shutter;	Polycarbonate

Product Picture	Item	Size (mm)	Description	Material	Product Picture	Item	Size (mm)	Description	Material
	F21B	22.5x45	Cat 6 RJ45 socket with shutter;	Polycarbonate		F23	22.5x45	RJ11 Telephone socket with shutter, regular with 4 contact pins. 2 contact pins and 6 contact pins should be customization production.;	Polycarbonate
	F50	22.5x45	Single male TV socket;	Polycarbonate		F51	22.5x45	BNC socket	Polycarbonate
	F52	22.5x45	Φ3.5 earphone for audio/video connector, screw terminals	Polycarbonate		F53	22.5x45	DIN(eight pins)	Polycarbonate
	F55	22.5x45	Audio socket provide the stereo audio connect for device such as DVD drive, camera etc.;	Polycarbonate		F56	22.5x45	Video socket provide the video connect for device such as DVD drive, camera etc.;	Polycarbonate
	F58	22.5x45	Sound socket provide the stereo audio connect for device such as DVD drive, camera etc.;	Polycarbonate		F59	22.5x45	USB for data 2.0, screw terminal	Polycarbonate
	F60	22.5x45	Male Kalon socket, soldering connection	Polycarbonate		F62	22.5x45	Speaker socket, soldering connection;	Polycarbonate
	F65	22.5x45	15 Pins VGA (male type), RS232 socket, soldering connection	Polycarbonate		F66	22.5x45	15 Pins VGA (female type); RS232 socket, soldering connection	Polycarbonate
	F67	22.5x45	9 Pins VGA (male type), RS232 socket, soldering connection	Polycarbonate		F68	22.5x45	9 Pins VGA (female type); RS232 socket, soldering connection	Polycarbonate
	F69	22.5x45	HDMI, single HDMI socket with protective plug, 1 module size	Polycarbonate		F71	22.5x45	S terminal; soldering connection	Polycarbonate
	F81	45x22.5	2 way curve switch, 10A, 250V	Polycarbonate		F83	45x45	2 way switch, 10A, 250V	Polycarbonate
	F70	22.5x45	Empty plate; material: Polycarbonate; color:white	Polycarbonate		F80	45x22.5	1 way switch, 10A, 250V	Polycarbonate
	F82	45x45	1 way switch, 10A, 250V	Polycarbonate					

Desktop Socket

Floor Socket

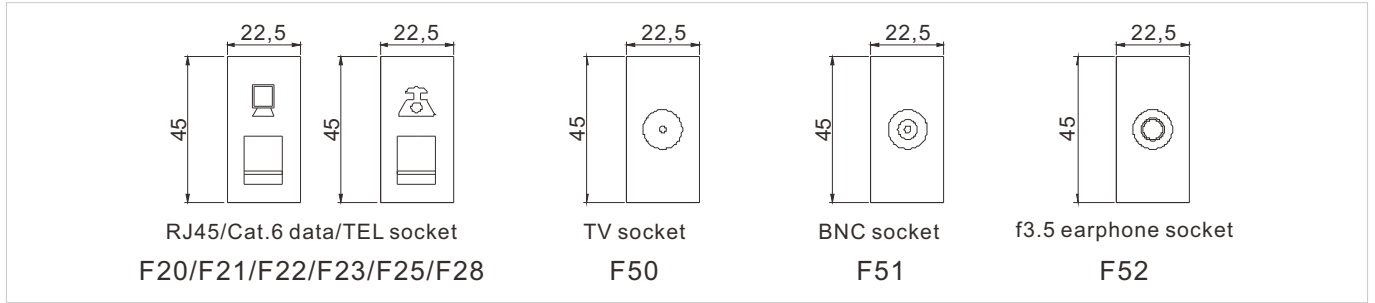
Accessories

Switch

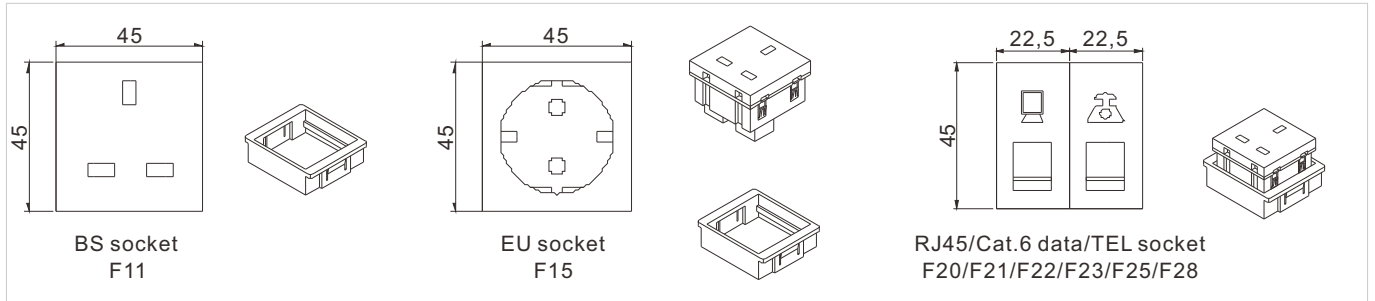
4. 45×45mm Legrand's Mosaic Series Module

Product mix

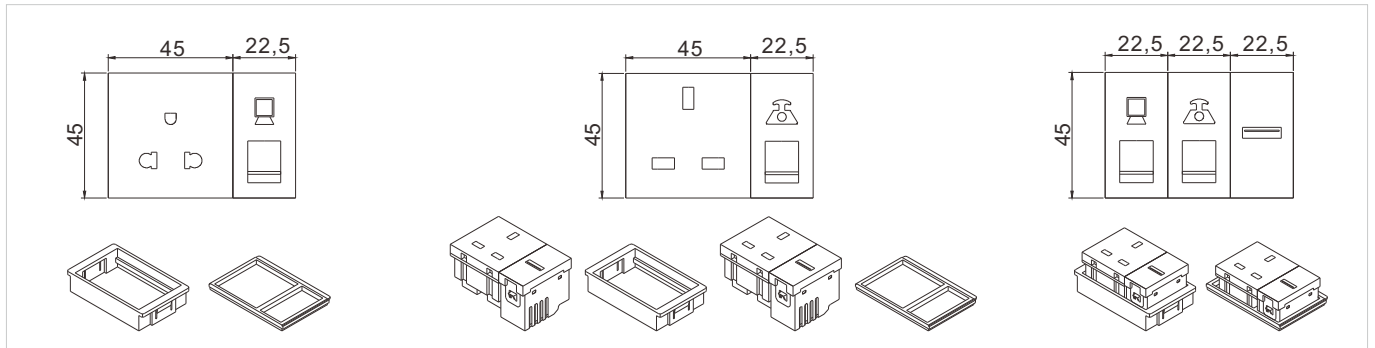
1 way



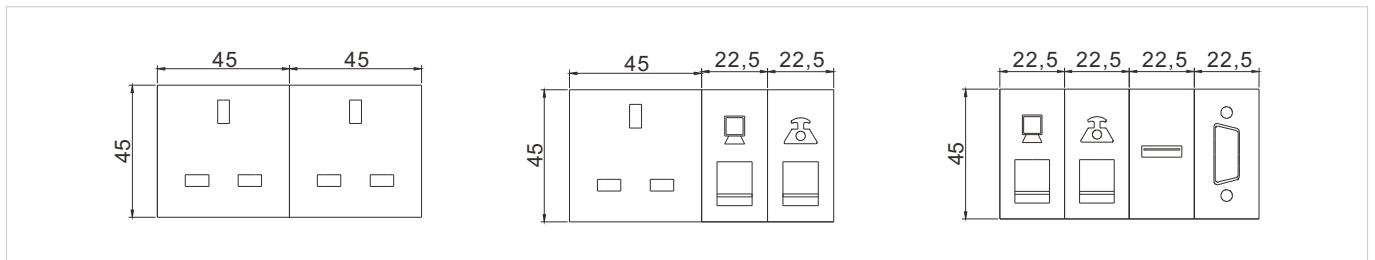
2 way



3 way



4 way

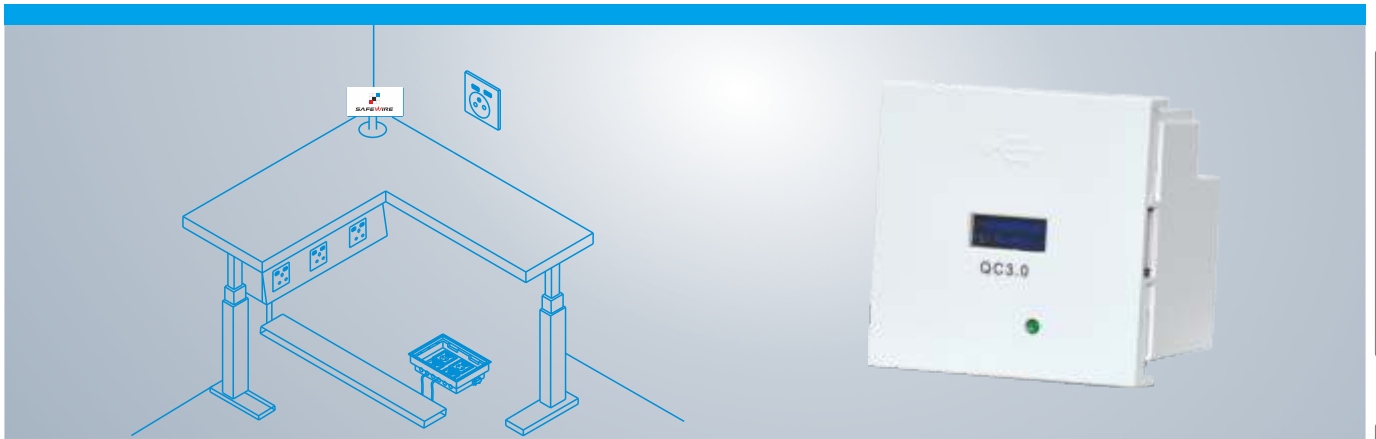


Desktop Socket

Floor Socket

Accessories

Switch



Desktop Socket

Floor Socket

Accessories

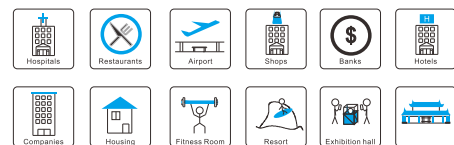
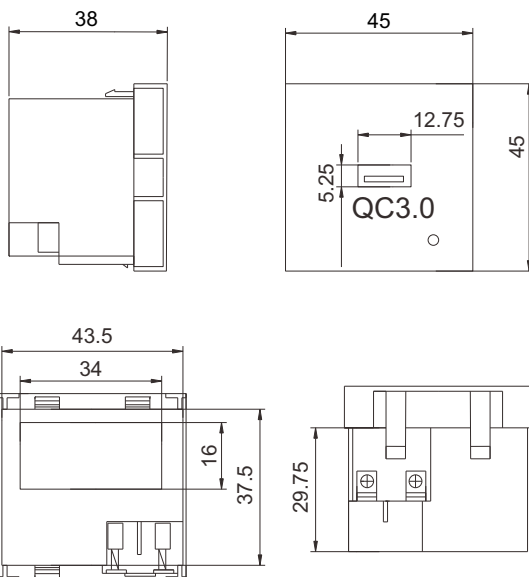
Switch

XJY-USB-17J USB Charger Series

Features:

1. Voltage withstanding: above 3KV.
2. Lightning protection level: 3K.
3. With identifying chip: can automatically recognize different mobiles and suit its request charging AMP to meet the charging speed.
4. Energy saving: Reach European power consuming Level 6.
5. With overload L current and over voltage protection.
6. Output ripple VPP <200mV. (connected phone response is fast while the phone while charging).
7. Automatically cut off after fully charged and not continue to charge the phone.
8. More life reliability: over 5 years.

Outline Drawing: Unit:mm

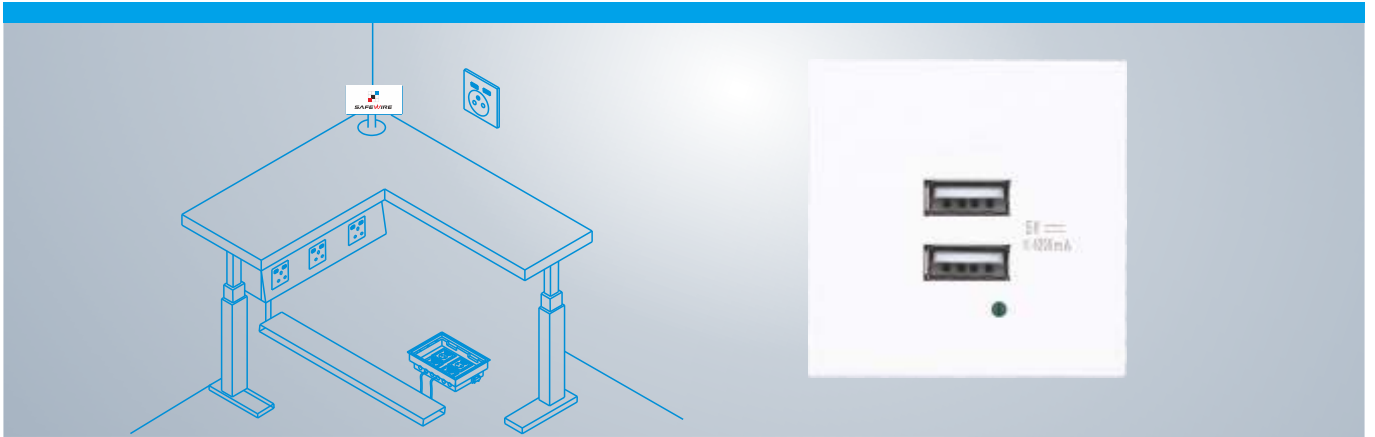


Desktop Socket

Floor Socket

Accessories

Switch

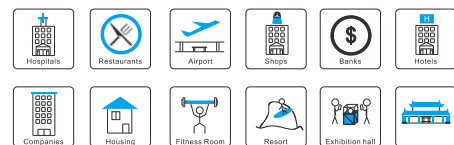
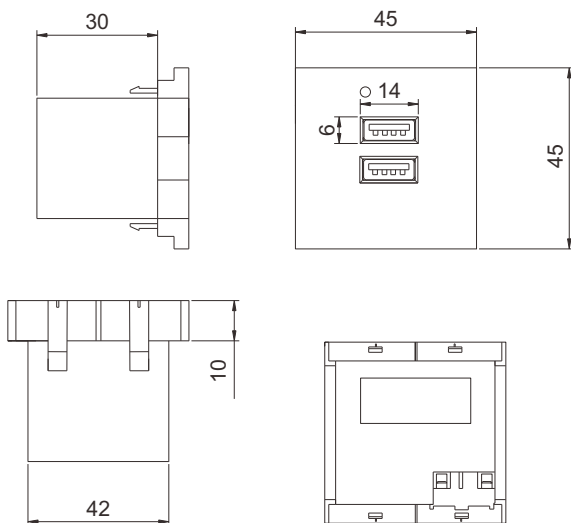


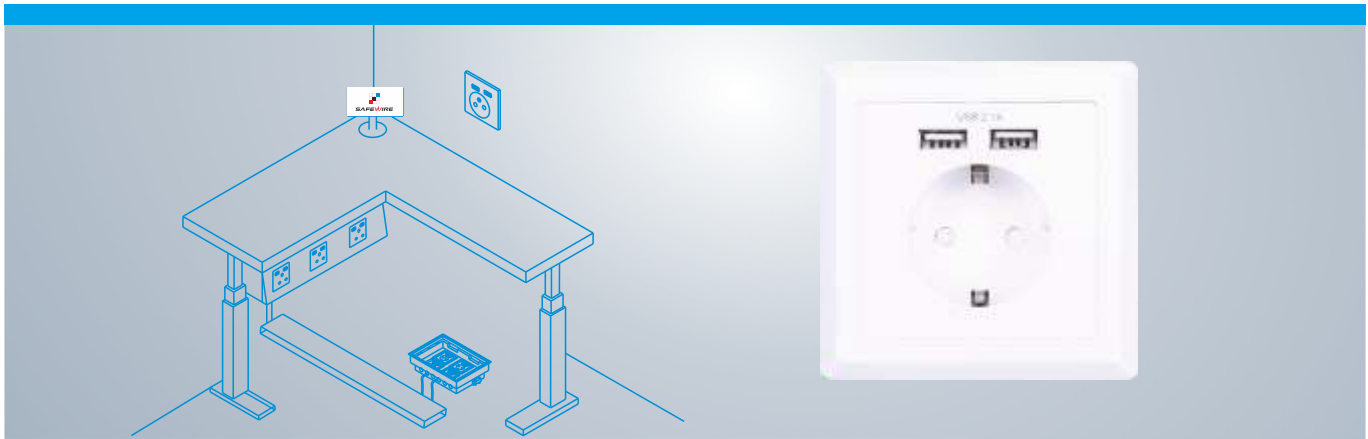
XJY-USB-17E USB Charger Series

Features:

1. Voltage withstanding: above 3KV.
2. Lightning protection level: 3K.
3. With identifying chip: can automatically recognize different mobiles and suit its request charging AMP to meet the charging speed.
4. Energy saving: Reach European power consuming Level 6.
5. With overload L current and over voltage protection.
6. output ripple VPP <200mV. (connected phone response is fast while the phone while charging).
7. Automatically cut off after fully charged and not continue to charge the phone.
8. More life reliability: over 5 years.

Outline Drawing: Unit:mm





Desktop Socket

Floor Socket

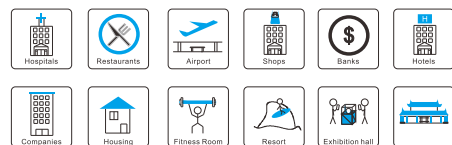
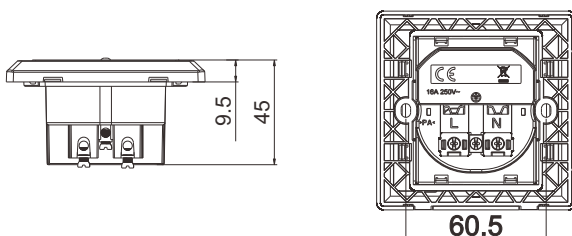
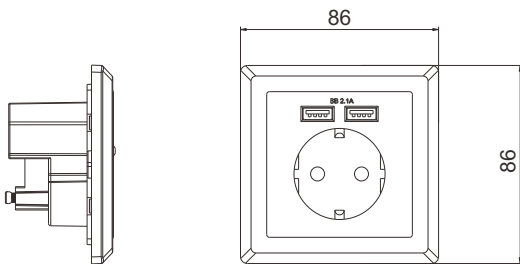
XJY-USB-18B USB Charger Series

Features:

1. Dual charge USB charging port: can be supplied for both 2 sets of equipment at high speed. Power supplies stable and the can be use of various types of global USB charging equipment.
2. Current stabilizing protective electric appliance.
3. Compatible with multiple models of apple, Android and other devices.
4. Automatic distribution current, over charge protection, short circuit protection.
5. MAX 5V dual 2.1A USB output power, charges really fast.

Accessories

Outline Drawing: Unit:mm



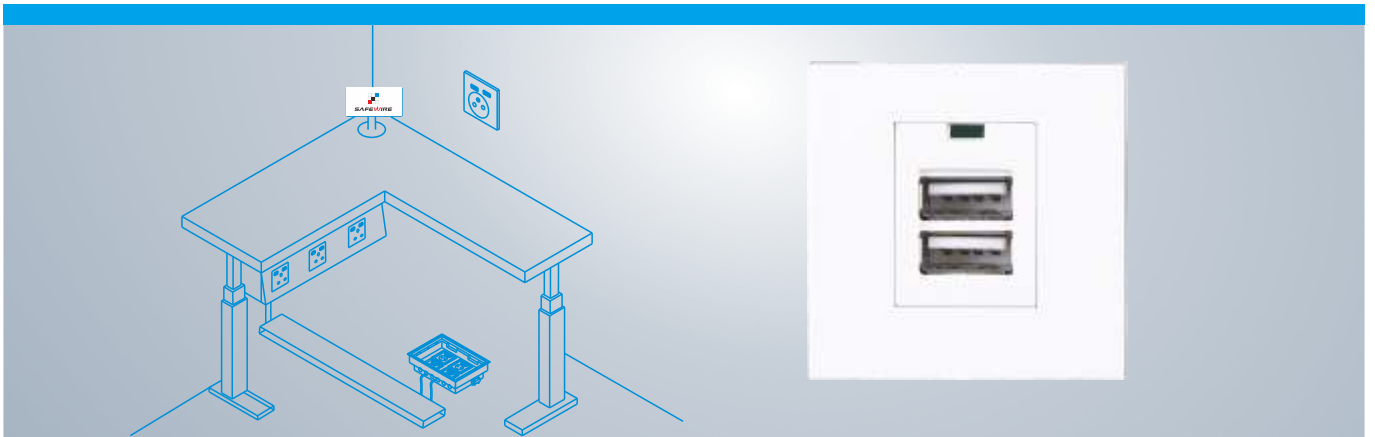
Switch

Desktop Socket

Floor Socket

Accessories

Switch

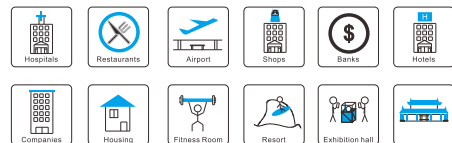
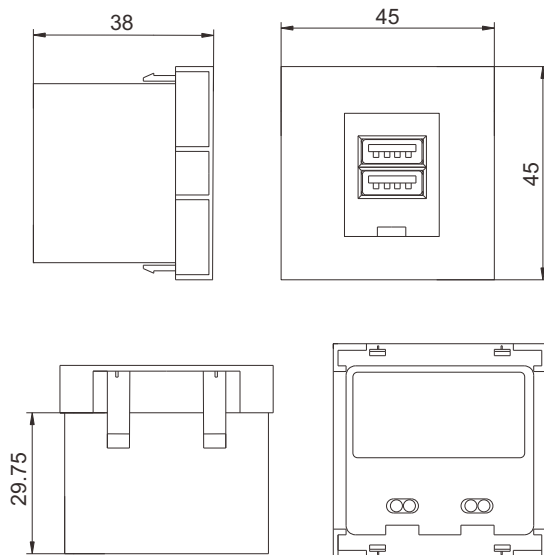


XJY-USB-26-A/A USB Charger Series









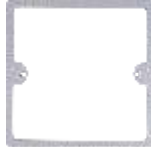



Features:

1. Voltage withstanding: above 3KV.
2. Lightning protection level: 3K.
3. With identifying chip: can automatically recognize different mobiles and suit its request charging AMP to meet the charging speed.
4. Energy saving: Reach European power consuming Level 6;
5. With overload L current and over voltage protection.
6. output ripple VPP <200mV. (connected phone response is fast while the phone while charging).
7. Automatically cut off after fully charged and not continue to charge the phone.
8. More life reliability: over 5 years.

Outline Drawing: Unit:mm










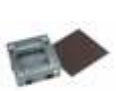




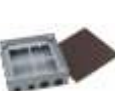





Bridge accessories for floor box

					
SAP028	SAP026	SAP024	SAP027	SAP025	SAP030
					
SAP031	SAP032	SADF01	SAP01	SAP02	SAP03

Desktop Socket

Sink Box

Item									
	LH-100-38	HTD-120JH	HTD-200JH	HTD-100JH	HTD-122JH	HTD-122LH	HTD-160LH-50F	HTD-110JH	HTD-135JH
Dimension	100X100X38mm	120X120X60mm	100X200X55mm	100X100X55mm	122X122X58mm	122X122X60mm	160X160X60mm	110X110X75mm	135X135X75mm
Item									
	HTD-170JH	HTD-170JHA	HTD-190JH	HTD-190JHA	HTD-230JH	HTD-230JHA	HTD-290JH	HTD-190CJH	HTD-240CJH
Dimension	170X170X75mm	170X170X90mm	190X190X75mm	190X190X90mm	230X230X75mm	230X230X90mm	290X140X75mm	190X190X75mm	240X170X75mm

Floor Socket

Accessories

Optical fiber patch cord/cable (FC-FC,FC-SC,SC-SC,ST-ST.....)& Accessories.

								
RJ45 Patch Cord In Yellow Color	RJ45 Patch Cord In Gray Color	RJ45 Patch Cord In Blue Color	RJ45 Patch Cord In Green Color	SC-SC Single-mode Patch Cord	SC-SC Multi-mode Patch Cord	ST-ST Single-mode Patch Cord	FC-SC Single-mode Patch Cord	LC-LC Single-mode Patch Cord

Switch

Faceplate of internet data

			
single face plate	dual-port face plate	3-port face plate	4-port face plate

Floor Socket

Desktop Socket

Accessories

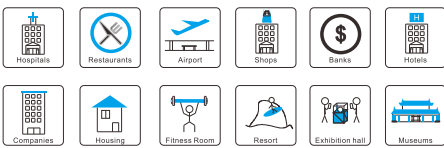
Switch



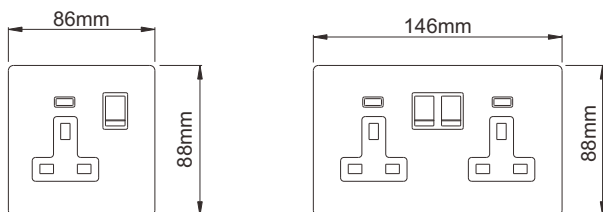
Switch Socket Series

Features:

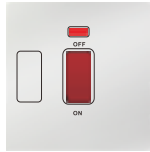
- 1.86*88/88*146MM size.Frameless design. Round Edge.
- 2.High-quality PC material. Flame retardant, high strength, high temperature resistance, not easy to fade.
- 3.Silver contacts, conductive, arc resistant, Tin - phosphorus bronze current - carrying gold parts, excellent electrical conductivity.
- 4.Precise structure, switch faceplate all in one, easy to assemble and dismantle.
- 5.The socket protection door is designed to prevent children from accidentally getting electric shock.
- 6.Setting of safety door. Compact anti electric shock protection door and monopole cannot be inserted.
Child-proof safety door design.



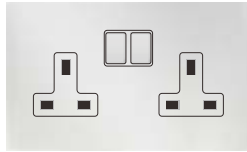
Outline Drawing: Unit:mm



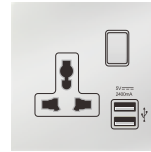
POP ART Series(PC White)



1 Gang 20A DP Switch with Indicator
 Model No. : 9020
 Specification : 20A 250V~
 Packaging : 10 pcs/Box 100 pcs/CTN



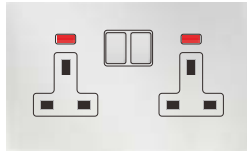
2 Gang 13A Switched Socket
2 Gang 13A DP Switched Socket
 Model No. : 9023SP / 9023DP
 Specification : 13A 250V~
 Packaging : 7 pcs/Box 70 pcs/CTN



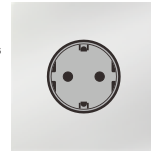
1 Gang 13A Universal Switched Socket with 2*USB
 Model No. : 90133SU
 Specification : 13A 250V~
 Packaging : 8 pcs/Box 80 pcs/CTN



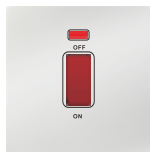
1 Gang 32A DP Switch with Indicator
 Model No. : 9032
 Specification : 32A 250V~
 Packaging : 10 pcs/Box 100 pcs/CTN



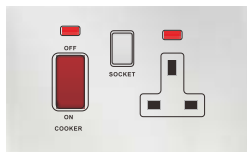
2 Gang 13A Switched Socket with Indicators
2 Gang 13A DP Switched Socket with Indicators
 Model No. : 9023SPL / 9023DPL
 Specification : 13A 250V~
 Packaging : 7 pcs/Box 70 pcs/CTN



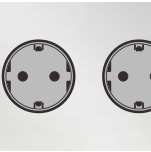
1 Gang 16A German Socket
 Model No. : 9016
 Specification : 16A 250V~
 Packaging : 8 pcs/Box 80 pcs/CTN



1 Gang 45A DP Switch with Indicator
 Model No. : 9045
 Specification : 45A 250V~
 Packaging : 10 pcs/Box 100 pcs/CTN



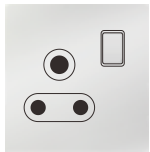
Cooker Control Unit with 13A Socket & Indicators
 Model No. : 90CCU
 Specification : 45A 250V~
 Packaging : 6 pcs/Box 60 pcs/CTN



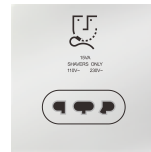
2 Gang 16A German Socket
 Model No. : 9026
 Specification : 16A 250V~
 Packaging : 7 pcs/Box 70 pcs/CTN



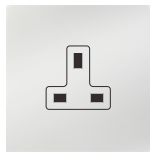
1 Gang 45A DP Large Switch with Indicator
 Model No. : 9045L
 Specification : 45AX 250V~
 Packaging : 6 pcs/Box 60 pcs/CTN



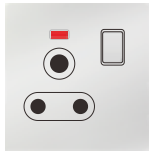
1 Gang 15A Switched Socket
 Model No. : 9015S
 Specification : 15A 250V~
 Packaging : 10 pcs/Box 100 pcs/CTN



1 Gang 15A Shaver Socket 110V/230V
 Model No. : 9086TX
 Specification : 15A 110-230V~
 Packaging : 1 pcs/Box 10 pcs/CTN



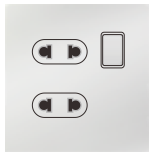
1 Gang 13A Unswitched Socket
 Model No. : 9013
 Specification : 13A 250V~
 Packaging : 10 pcs/Box 100 pcs/CTN



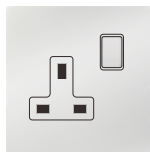
1 Gang 15A Switched Socket with Indicator
 Model No. : 9015SL
 Specification : 15A 250V~
 Packaging : 10 pcs/Box 100 pcs/CTN



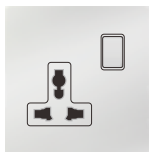
1 Gang 20A Shaver Socket 110V/230V Large
 Model No. : 90146TX
 Specification : 20A 110-230V~
 Packaging : 1 pcs/Box 10 pcs/CTN



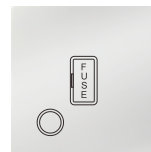
1 Gang 10A Double 2 Pins Switched Socket
 Model No. : 9022S
 Specification : 10A 250V~
 Packaging : 10 pcs/Box 100 pcs/CTN



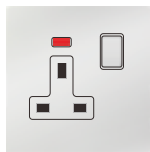
1 Gang 13A Switched Socket
1 Gang 13A DP Switched Socket
 Model No. : 9013SP / 9013DP
 Specification : 13A 250V~
 Packaging : 10 pcs/Box 100 pcs/CTN



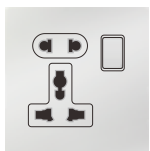
1 Gang 13A Universal Switched Socket
 Model No. : 90133S
 Specification : 13A 250V~
 Packaging : 10 pcs/Box 100 pcs/CTN



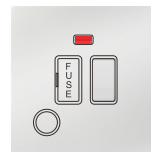
1 Gang 3A Unswitched Cable Outlet with Fuse
1 Gang 13A Unswitched Cable Outlet with Fuse
 Model No. : 9003F / 9013F
 Specification : 3A 250V~ / 13A 250V~
 Packaging : 10 pcs/Box 100 pcs/CTN



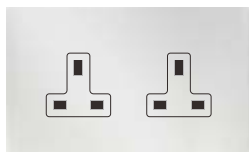
1 Gang 13A Switched Socket with Indicator
1 Gang 13A DP Switched Socket with Indicator
 Model No. : 9013SPL / 9013DPL
 Specification : 13A 250V~
 Packaging : 10 pcs/Box 100 pcs/CTN



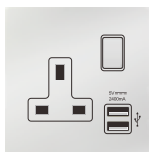
1 Gang 13A 2 & 3 Pins Universal Switched Socket
 Model No. : 90135S
 Specification : 13A 250V~
 Packaging : 10 pcs/Box 100 pcs/CTN



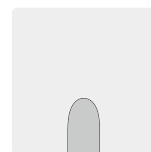
1 Gang 13A DP Switched Cable Outlet with Indicator & Fuse
 Model No. : 9013DF
 Specification : 13A 250V~
 Packaging : 10 pcs/Box 100 pcs/CTN



2 Gang 13A Unswitched Socket
 Model No. : 9023
 Specification : 13A 250V~
 Packaging : 8 pcs/Box 80 pcs/CTN



1 Gang 13A Switched Socket with 2*USB
1 Gang 13A DP Switched Socket with 2*USB
 Model No. : 9013SPU / 9013DPU
 Specification : 13A 250V~
 Packaging : 8 pcs/Box 80 pcs/CTN



1 Gang 20A Cable Outlet
 Model No. : 9020J
 Specification : 20A 250V~
 Packaging : 10 pcs/Box 100 pcs/CTN

Floor Socket

Desktop Socket

Accessories

Switch

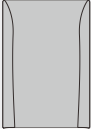

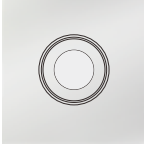

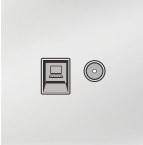



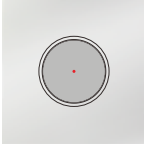


















POP ART Series (PC White)

Floor Socket

Desktop Socket

Accessories

Switch

 <p>1 Gang 45A Cable Outlet Model No. : 9045J Specification : 45A 250V~ Packaging : 10 pcs/Box 100 pcs/CTN</p>	 <p>Telephone & TV Socket Model No. : 9002HT Packaging : 10 pcs/Box 100 pcs/CTN</p>	 <p>1 Gang Infrared Sensor with Fire Emergency Load (3 Line) Model No. : 9003HWX Specification : 200W 220V~ Packaging : 10 pcs/Box 100 pcs/CTN</p>
 <p>1 Gang PCBA TV Socket Model No. : 9001TP Packaging : 10 pcs/Box 100 pcs/CTN</p>	 <p>Cat6 Data & TV Socket Model No. : 9002NT Packaging : 10 pcs/Box 100 pcs/CTN</p>	 <p>1 Gang Sound & Light Sensor with Fire Emergency Load (3 Line) Model No. : 9003SGX Specification : 200W 220V~ Packaging : 10 pcs/Box 100 pcs/CTN</p>
 <p>1 Gang TV Socket Model No. : 9001TV Packaging : 10 pcs/Box 100 pcs/CTN</p>	 <p>SAT & TV Socket Model No. : 9002T Packaging : 10 pcs/Box 100 pcs/CTN</p>	 <p>1 Gang Touch Delay Switch with Fire Emergency Load (3 Line) Model No. : 9003CMX Specification : 200W 220V~ Packaging : 10 pcs/Box 100 pcs/CTN</p>
 <p>1 Gang SAT Socket Model No. : 9001TX Packaging : 10 pcs/Box 100 pcs/CTN</p>	 <p>SAT & TV & FM Socket Model No. : 9003T Packaging : 10 pcs/Box 100 pcs/CTN</p>	 <p>1 Gang 25A Photoelectric Hotel Key Card Switch (3 Line) Model No. : 9025GD Specification : 25A 220V~ Packaging : 8 pcs/Box 80 pcs/CTN</p>
 <p>1 Gang Telephone Socket Model No. : 9001DH Packaging : 10 pcs/Box 100 pcs/CTN</p>	 <p>1 Gang HDMI Cable Outlet Model No. : 9001GQ Packaging : 10 pcs/Box 100 pcs/CTN</p>	 <p>1 Gang 25A Low Frequency Hotel Key Card Switch (3 Line) Model No. : 9025DP Specification : 25A 220V~ Packaging : 8 pcs/Box 80 pcs/CTN</p>
 <p>1 Gang Cat6 RJ45 Data Socket Model No. : 9001DN Packaging : 10 pcs/Box 100 pcs/CTN</p>	 <p>1 Gang Audio Socket Model No. : 9001YX Packaging : 10 pcs/Box 100 pcs/CTN</p>	 <p>1 Gang 25A High Frequency Hotel Key Card Switch (3 Line) Model No. : 9025GP Specification : 25A 220V~ Packaging : 8 pcs/Box 80 pcs/CTN</p>
 <p>2 Gang Telephone Socket Model No. : 9002DH Packaging : 10 pcs/Box 100 pcs/CTN</p>	 <p>2 Gang Audio Socket Model No. : 9002YX Packaging : 10 pcs/Box 100 pcs/CTN</p>	 <p>1 Gang Footlight with Infrared Sensor Model No. : 9001DJ Packaging : 10 pcs/Box 100 pcs/CTN</p>
 <p>2 Gang 2*Cat6 Data Socket Model No. : 9002DN Packaging : 10 pcs/Box 100 pcs/CTN</p>	 <p>1 Gang Light Dimmer 500W (2 Line) 1 Gang Light Dimmer 100W (2 Line) Model No. : 9001TG5 / 9001TG1 Specification : 500W 220V~ / 100W 220V~ Packaging : 8 pcs/Box 80 pcs/CTN</p>	 <p>1 Gang Blank Plate Model No. : 9086KB Packaging : 20 pcs/Box 200 pcs/CTN</p>
 <p>Telephone & Cat 6 Data Socket Model No. : 9002HN Packaging : 10 pcs/Box 100 pcs/CTN</p>	 <p>1 Gang CV Fan Dimmer 250W (2 Line) Model No. : 9001TS Specification : 250W 220V~ Packaging : 8 pcs/Box 80 pcs/CTN</p>	 <p>2 Gang Blank Plate Model No. : 90146KB Packaging : 15 pcs/Box 150 pcs/CTN</p>

POP ART Series(PC White)

Floor Socket

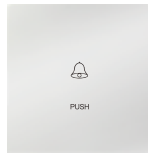
Desktop Socket

Accessories

Switch



1 Gang 1 Way Switch
1 Gang 2 Way Switch
 Model No. : 9001AL / 9001BL (with LED light)
 9001A / 9001B (with fluorescent light)
 Specification : 16AX 250V~
 Packaging : 10 pcs/Box 100 pcs/CTN



1 Gang Bell Push Switch
 Model No. : 9001PL (with LED light)
 9001P (with fluorescent light)
 Specification : 16A 250V~
 Packaging : 10 pcs/Box 100 pcs/CTN



1 Gang Doorbell Control Switch Inside (DO NOT DISTURB)
 Model No. : 9001LMH (with LED light)
 9001MH (with fluorescent light)
 Specification : 16A 250V~
 Packaging : 10 pcs/Box 100 pcs/CTN



2 Gang 1 Way Switch
2 Gang 2 Way Switch
 Model No. : 9002AL / 9002BL (with LED light)
 9002A / 9002B (with fluorescent light)
 Specification : 16AX 250V~
 Packaging : 10 pcs/Box 100 pcs/CTN



2 Gang Bell Push Switch
 Model No. : 9002PL (with LED light)
 9002P (with fluorescent light)
 Specification : 16A 250V~
 Packaging : 10 pcs/Box 100 pcs/CTN



2 Gang Doorbell Control Switch Inside (DO NOT DISTURB & MAKE UP ROOM)
 Model No. : 9002LMH (with LED light)
 9002MH (with fluorescent light)
 Specification : 16A 250V~
 Packaging : 10 pcs/Box 100 pcs/CTN



3 Gang 1 Way Switch
3 Gang 2 Way Switch
 Model No. : 9003AL / 9003BL (with LED light)
 9003A / 9003B (with fluorescent light)
 Specification : 16AX 250V~
 Packaging : 8 pcs/Box 80 pcs/CTN



1 Gang Intermediate Switch
 Model No. : 9001DL (with LED light)
 9001D (with fluorescent light)
 Specification : 16AX 250V~
 Packaging : 10 pcs/Box 100 pcs/CTN



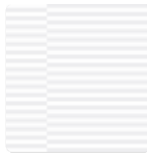
3 Gang Doorbell Control Switch Inside (DO NOT DISTURB & PLEASE WAIT & MAKE UP ROOM)
 Model No. : 9003LMH (with LED light)
 9003MH (with fluorescent light)
 Specification : 16A 250V~
 Packaging : 8 pcs/Box 80 pcs/CTN



4 Gang 1 Way Switch
4 Gang 2 Way Switch
 Model No. : 9004AL / 9004BL (with LED light)
 9004A / 9004B (with fluorescent light)
 Specification : 16AX 250V~
 Packaging : 8 pcs/Box 80 pcs/CTN



2 Gang Intermediate Switch
 Model No. : 9002DL (with LED light)
 9002D (with fluorescent light)
 Specification : 16AX 250V~
 Packaging : 8 pcs/Box 80 pcs/CTN



1 Gang 1 Way Switch
1 Gang 2 Way Switch
 Model No. : 9011AL / 9011BL (with LED light)
 9011A / 9011B (with fluorescent light)
 Specification : 16AX 250V~
 Packaging : 10 pcs/Box 100 pcs/CTN



1 Gang Bell Push Switch
 Model No. : 9011PL (with LED light)
 9011P (with fluorescent light)
 Specification : 16A 250V~
 Packaging : 10 pcs/Box 100 pcs/CTN



1 Gang Doorbell Control Switch Inside (DO NOT DISTURB)
 Model No. : 9011LMH (with LED light)
 9011MH (with fluorescent light)
 Specification : 16A 250V~
 Packaging : 10 pcs/Box 100 pcs/CTN



2 Gang 1 Way Switch
2 Gang 2 Way Switch
 Model No. : 9012AL / 9012BL (with LED light)
 9012A / 9012B (with fluorescent light)
 Specification : 16AX 250V~
 Packaging : 10 pcs/Box 100 pcs/CTN



2 Gang Bell Push Switch
 Model No. : 9012PL (with LED light)
 9012P (with fluorescent light)
 Specification : 16A 250V~
 Packaging : 10 pcs/Box 100 pcs/CTN



2 Gang Doorbell Control Switch Inside (DO NOT DISTURB & MAKE UP ROOM)
 Model No. : 9012LMH (with LED light)
 9012MH (with fluorescent light)
 Specification : 16A 250V~
 Packaging : 10 pcs/Box 100 pcs/CTN



3 Gang 1 Way Switch
3 Gang 2 Way Switch
 Model No. : 9013AL / 9013BL (with LED light)
 9013A / 9013B (with fluorescent light)
 Specification : 16AX 250V~
 Packaging : 8 pcs/Box 80 pcs/CTN



1 Gang Intermediate Switch
 Model No. : 9011DL (with LED light)
 9011D (with fluorescent light)
 Specification : 16AX 250V~
 Packaging : 10 pcs/Box 100 pcs/CTN



3 Gang Doorbell Control Switch Inside (DO NOT DISTURB & PLEASE WAIT & MAKE UP ROOM)
 Model No. : 9013LMH (with LED light)
 9013MH (with fluorescent light)
 Specification : 16A 250V~
 Packaging : 8 pcs/Box 80 pcs/CTN



4 Gang 1 Way Switch
4 Gang 2 Way Switch
 Model No. : 9014AL / 9014BL (with LED light)
 9014A / 9014B (with fluorescent light)
 Specification : 16AX 250V~
 Packaging : 8 pcs/Box 80 pcs/CTN



2 Gang Intermediate Switch
 Model No. : 9012DL (with LED light)
 9012D (with fluorescent light)
 Specification : 16AX 250V~
 Packaging : 8 pcs/Box 80 pcs/CTN

Sand Stone Series(PC Champagne)

Floor Socket

Desktop Socket

Accessories



Sand Stone Series(PC Sliver)

Switch



Brilliant Series (Aluminium)



Floor Socket

Desktop Socket

Accessories

Brilliant Series (Stainless steels)



Switch