



Wenzhou Safewire Electric Co.,Ltd.

No.152 Xingguang Road, Xingguang industry zone, Liushi town, Yueqing, Wenzhou,China ,325604
Tel:0086-577-62799688; Email:info@safewirele.com;

www.safewirele.com

Quick Details

Model: HTD-622AS

Place of origin : Zhejiang ,Wenzhou,China

Rated Current :10-25A

Type: Underfloor box

Current Type: AC

HS Code: 8536690000

Frequency:50Hz~60Hz

For floor thickness :8mm

Installation depth:70mm~110mm

Brand Name : Safewire or OEM brand

Panel materials: Plastic

Application:

Multifunctional exhibition center, large office building. Lab. Commercial building and so on . Their numerous power device and information processing device have high request to the wiring system. Installations where need a underfloor box with a finish depending on the particular material of floor which ant to integrate.The system is composed of wiring duct, junction box and line-out box. Multifunctional socket box and accessories. It can lay the duct-dividing for strong and weak electricity. Circuit may perform many ducts interloack which well meet the wiring requirements of power device and information processing device at different site for every building.

- Office and education



Wenzhou Safewire Electric Co.,Ltd.

No.152 Xingguang Road, Xingguang industry zone, Liushi town, Yueqing, Wenzhou,China ,325604
Tel:0086-577-62799688; Email:info@safewirele.com;

www.safewirele.com

- Industry and Engineering
- Presentation and retail;
- Orientation and safety;
- Transit areas and parking;
- Hotels, hospitality and wellness;
- Health, sport and leisure;
- Art and culture;

Packaging & Delivery

Inner packing box

Outer exporting carton

Audio Visual sockets,Access Floor Socket,Junction boxes, access floor boxes, raised system floor boxes, floor tank,Grounded tank,Floor junction box,Floor jack,Electrical outlet,cavity floor boxes,screed floor boxes

1) Features:

Our floor boxes are boxes for installation recessed in floor with possibilities of add decorative materials like carpet, parquet or other finishes, on the lid.

1. Perfect finish:Our range of access and screed Floor Boxes are



Wenzhou Safewire Electric Co.,Ltd.

No.152 Xingguang Road, Xingguang industry zone, Liushi town, Yueqing, Wenzhou,China ,325604
Tel:0086-577-62799688; Email:info@safewirele.com;

www.safewirele.com

available with 1, 2, 3 or 4 compartments and Blends in fully with the surroundings

2. Safety guaranty:Frame &lid moulded from high impact ABS plastic material and self-extinguishing, halogen-free materials,guaranty of safety for people and equipment.
3. Protected opening system: Easy grip recessed lifting handle and only be opened by pulling both opening clips at the same time. The clips of floor boxes are self-positioning and secure the fastening.
4. Easy installation:Clamp fixing of receptacle and Data outlet for fast installation.No junction box is required for installing floor boxes in raised floors.
5. The carpet protective frame is overlapping the edge of the floor and is to protect the carpet material against fraying at the edge.

(2) **Advantages and Features:**

1. Protect against entry by dust and small objects:Floor box manufactured from galvanised steel with cable inlet slot cover and pre-punched holes for tube inlet so that allows the passage of connection cable and protect rust at same time.
2. Hinged cover of 8mm concavity with click ladder system under floor



Wenzhou Safewire Electric Co.,Ltd.

No.152 Xingguang Road, Xingguang industry zone, Liushi town, Yueqing, Wenzhou,China ,325604
Tel:0086-577-62799688; Email:info@safewirele.com;

www.safewirele.com

trunking system.

3.25*20mm knockouts to accept flexible conduit and 169*141.5mm for floor cut-out;

4.Galvanised lid insert for strength;

5.Standard depth 99mm designed to accepts standard accessory plates from electrical wholesalers.

6.Installation depth be adjustable: Installation depth from 70mm.

7. More capacity of outlet: For 8 apparatus type Mosaic 45*45mm.

(4) Characteristics:

Audio Visual sockets,Access Floor Socket,Junction boxes, access floor boxes, raised system floor boxes, floor tank,Grounded tank,Floor junction box,Floor jack,Electrical outlet,cavity floor boxes,screed floor boxes

Brand	Safewire
Item No.	HTD-622AS
Color:	Grey,Black
Material:	ABS, galvanised steel
Application:	Residential ,Industrial or public
Type:	Floor socket



Wenzhou Safewire Electric Co.,Ltd.

No.152 Xingguang Road, Xingguang industry zone, Liushi town, Yueqing, Wenzhou,China ,325604
Tel:0086-577-62799688; Email:info@safewirele.com;

www.safewirele.com

Overall Frame & Lid (mm)	169*141.5
Compact floor cut-out(mm)	156*128
Thickness of concavity/Frame lid recess (mm)	8
Installation depth(mm)	76~110
Plug top clearance(mm)	14~48
Available modules:	8 modules 45*45mm Mosaic
Accessories plates	177*90mm/177*60mm
Package dimension of carton(4 Pcs inner box into master carton)	55*37*29mm
G.W.	14.2KG/Carton
N.W.	13.2KG/Carton

5.Our service:



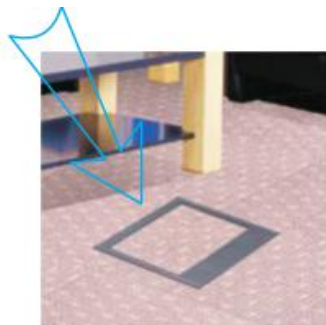
Wenzhou Safewire Electric Co.,Ltd.

No.152 Xingguang Road, Xingguang industry zone, Liushi town, Yueqing, Wenzhou,China ,325604
Tel:0086-577-62799688; Email:info@safewirele.com;

www.safewirele.com

<p>Good price High quality Nice service Great credit</p> 	 <p>12 months warranty</p> <p>Refund or replacement for any product faulty</p>	 <p>100% GUARANTEE</p> <p>Before shipment 100% quality checking</p>
 <p>THE ONE STOP SOURCE</p> <p>One -stop total solution</p>	 <p>New</p> <p>New product into our range every year</p>	

6. Product Show:



HTD-622AS Outline drawing:

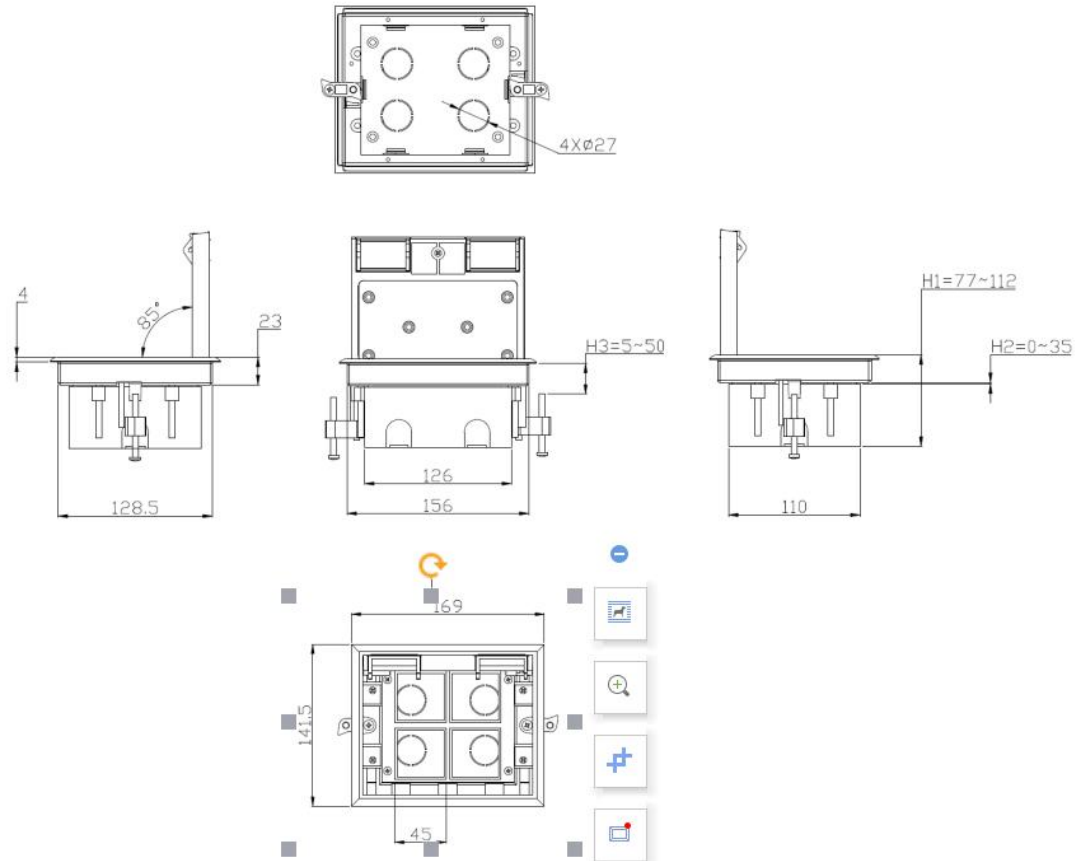


SAFEWIRE

Wenzhou Safewire Electric Co.,Ltd.

No.152 Xingguang Road, Xingguang industry zone, Liushi town, Yueqing, Wenzhou,China ,325604
Tel:0086-577-62799688; Email:info@safewirele.com;

www.safewirele.com



Available sockets or modules types:



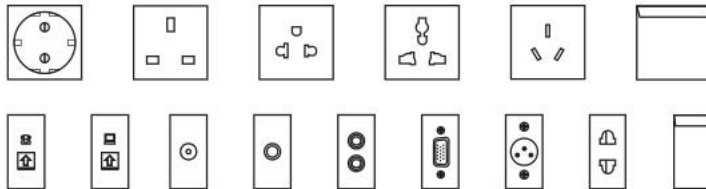
Wenzhou Safewire Electric Co.,Ltd.

No.152 Xingguang Road, Xingguang industry zone, Liushi town, Yueqing, Wenzhou,China ,325604
Tel:0086-577-62799688; Email:info@safewirele.com;

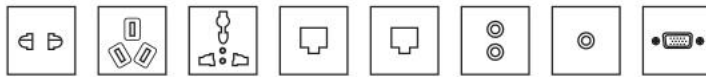
www.safewirele.com

Available sockets :

45 Type



118 Type



More International sockets is customization:

Schuko socket;France,UK, SA, Israel, Italy, Brazil, Aus/NZ,China, Thailand, USA; etc.



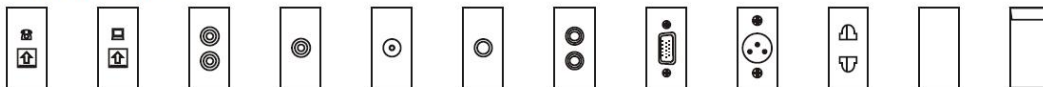
2 Way size modules:

2 modules size



1 way size modules:

1 module size





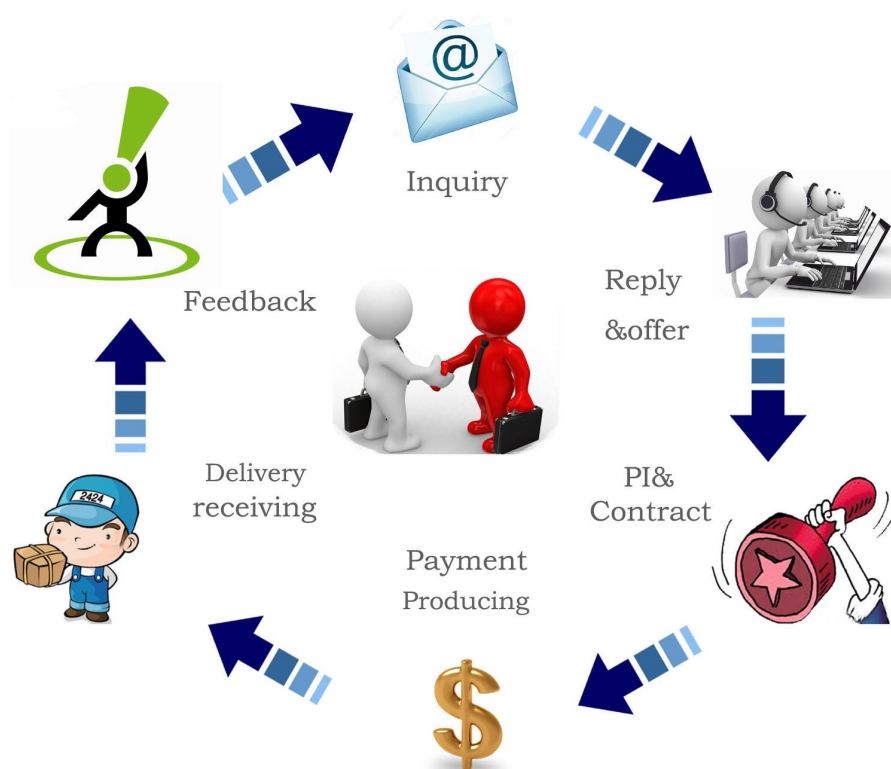
Wenzhou Safewire Electric Co.,Ltd.

No.152 Xingguang Road, Xingguang industry zone, Liushi town, Yueqing, Wenzhou,China ,325604
Tel:0086-577-62799688; Email:info@safewirele.com;

www.safewirele.com

7. Process flow:

we apply ERP data management system , greatly increased the management in plan ,purchase, storage , manufacture and sales .



8.About us:

Wenzhou Safewire Electric Co.,Ltd is a company specialized in the manufacture and sale of items in the field of electrical installation material and goods. We embarked on the relentless pursuit of being the biggest supplier with over 30,000 square meters building areas in China as we are engaged in producing and selling high-quality wiring systems produced in accordance with international standards. Our factory was recognized through ISO9001,ISO14001,OHSAS18001. And also be 3rd quality certification such



Wenzhou Safewire Electric Co.,Ltd.

No.152 Xingguang Road, Xingguang industry zone, Liushi town, Yueqing, Wenzhou,China ,325604
Tel:0086-577-62799688; Email:info@safewirele.com;

www.safewirele.com

as CE and SASO etc.



Happy He - General Manager: happyhe@safewirele.com ;
Mr. Zhou -VP: info@safewirele.com ;
Olivia Yang - Market: mkt1@safewirele.com ;



Wenzhou Safewire Electric Co.,Ltd.

No.152 Xingguang Road, Xingguang industry zone, Liushi town, Yueqing, Wenzhou,China ,325604
Tel:0086-577-62799688; Email:info@safewirele.com;

www.safewirele.com

Alice.Liu-Market:mkt2@safewirele.com;

Zuo Juan-Sales :sales1@safewirele.com;

FAQ:

Q:Do you have literature we can have?

A:Of course, we can post out a brochure or you can download it along with data sheets direct from here

Q:Do you manufacture all products yourself?

A:We manufacture all of our core product ranges ourselves as a proud best China manufacturer. A small number of our ancillary products are brought in from trusted partners also mainly China based.!

Q:Do all of your products comply to National standards?

A:Our products meet China National standard ,IEC standard and the relevant national standards such as SASO

Q:What lead times do you offer?

A: Lead time is dependent on many factors including type of unit and quantity required. We stock an extensive range of core product in a number of sizes that can be available 14 working days.Lead time



Wenzhou Safewire Electric Co.,Ltd.

No.152 Xingguang Road, Xingguang industry zone, Liushi town, Yueqing, Wenzhou,China ,325604
Tel:0086-577-62799688; Email:info@safewirele.com;

www.safewirele.com

indications are stated on quotations, but by all means feel free to ask for up to date information.

Q:Can I request a specific delivery time/day?

Safewire will always endeavour to meet our customer' s requirements and hit special delivery times every day

Q:Can I request a technical specification?

Please contact us to request a technical specification or product certification.Email address:info@safewirele.com;

Q:How long is the warranty on your products?

There is a 12 month warranty from date of delivery. In the event of any failure, items must be returned to Safewire for full investigation.

Q:What is your products installation?

There are various methods of fixing for each unit - a member of the quotes team can talk you through the options or you can view them on the website.

Q:Can you send me a price list?

As there are so many variations of specification possible for each unit - We can send you brochure or you can download it from the website. Please contact the Quotes Team direct for pricing.

Q:How much will it cost?



Wenzhou Safewire Electric Co.,Ltd.

No.152 Xingguang Road, Xingguang industry zone, Liushi town, Yueqing, Wenzhou,China ,325604
Tel:0086-577-62799688; Email:info@safewirele.com;

www.safewirele.com

This will vary on the unit and the specification of the unit, please either call a member of the quotes team or complete the online form.

Q:Can I request a sales visit or a visit to your factory?

Please contact us to request a visit from us or to our Head Office address: No.152 Xinggua Road, Xinggua industry zone, Liushi town, Yueqing, Wenzhou,China ,325604;

Q:Can I request a sample from Safewire?

Safewire are happy to supply sample to our partners, please contact us directly to discuss your request.

Q:Can I request sales and marketing material?

Safewire are continually investing in their sales and marketing material, please contact us directly to discuss your requirements.

Q:How long make a sample?

A: Within 7 working days upon receipt of confirmed order and payment for standard product. Customization product order should be confirmed between us.
