

Wenzhou Safewire Electric CO.,Ltd.

SPECIFICATION SHEET

PRODUCT NAME: Pop up floor socket

PRODUCT No. : HTD-103



ADD: 152 xinguang industrial zone, yueqing city, zhejiang province

(TEL) :0086-577-62799688

(E-mail) : info@safewirele.com

(WEB): <http://www.safewirele.com>



Technical parameters & characteristic :

1) Working environment:

1. The environment temperature:-5°C~/40°C
2. The rated voltage : 100V~~250V
3. Rated current : 10A、 13A、 16A、 20A

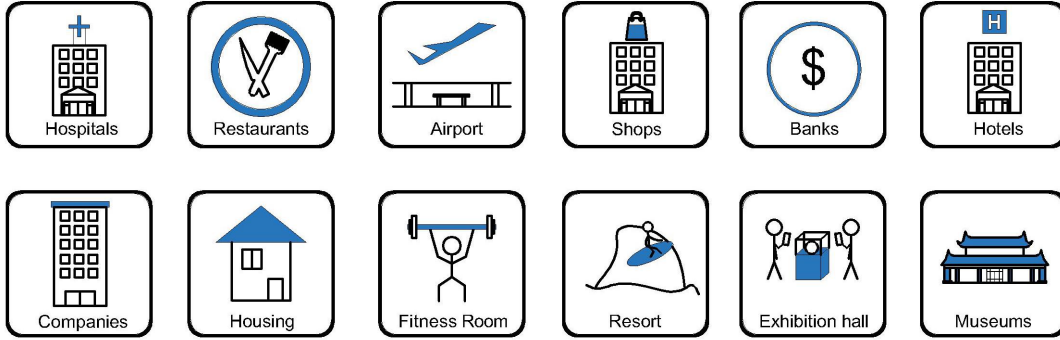
2) Characteristic:

1	Model	HTD-103	6	HS Code	8536690000
2	Brand Name	Safewire or OEM brand	7	Market standard	Customized
3	Type	floor socket	8	Place of origin	Zhejiang , Wenzhou, China
4	Color	Golden, silver, etc	9	Frequency	50Hz~60Hz
5	Grounding	Standard grounding	10	Current Type	AC

3) Technical parameters :



Serial No.	Parameter	Description
1	Panel Material	Zinc alloy
2	Surface finish	Spray paint
3	Panel Dimension(mm)	90*90
4	Cutout(mm)	80*77
5	Capacity of modules	3 ways modules
6	Sink box Material	Steel+Zinc plated
7	Sink box Thickness	1.0mm
8	Inner box Size(mm)	100*100*60
9	Outer box Size(mm)	237*106*110
10	Available modules	45*45/45*22.5(mm)
11	N.W(kg)	0.275
12	G.W(kg)	0.3
13	Carton size(mm)	459*338*243

Application:




Remark: only for concrete floor

CE certificate by TUV,Germany

 CERTIFICATE of Conformity Low Voltage Directive 2014/35/EU	
Registration No.:	AN 50423434 0002
Report No.:	50202399 001
Holder:	Feilifu Technology Co., Ltd. No. 18, Chunhui Middle Rd, Yongnan Industrial Area, Xianju County, Taizhou City, Zhejiang Province P. R. China
Product:	Empty Enclosure (Box for Electrical Accessories-Floor Box)
Identification:	(continue from page 0001) Type Designation: HTD-18L, HTD-2, HTD-2P, HTD-4D, HTD-180K, HTD-180KP, HTD-210CK, HTD-210CKP, HTD-24, HTD-24L, HTD-28, HTD-28L, HTD-3, HTD-3P, HTD-71, HTD-71L, HTD-140YK, HTD-140YKP Engineering Samples Serial No. Remark: Refer to test report 50202399 001 for details
<p>This certificate of conformity is based on an evaluation of a sample of the above mentioned product. Technical Report and documentation are at the License Holder's disposal. This is to certify that the tested sample is in conformity with Annex I of Council Directive 2014/35/EU, referred to as the Low Voltage Directive. This certificate does not imply assessment of the series-production of the product and does not permit the use of a TÜV Rheinland mark of conformity. The holder of the certificate is authorized to use this certificate in connection with the EC declaration of conformity according to Annex IV of the Directive.</p>	
Certification Body  Zhao Xinhua	
Date	26.11.2018
TÜV Rheinland LGA Products GmbH - Tillystraße 2 - 90431 Nürnberg The CE marking may be used if all relevant and effective EC Directives are complied with.	

LVD test report

 TEST REPORT	
Report No.:	50202399 001
Applicant's name:	Feilifu Technology Co., Ltd.
Applicant's address:	No. 18, Chunhui Middle Road, Yongnan Industrial Zone, Xianju County, Taizhou City, Zhejiang Province, China
Sample description:	Empty Enclosure (Box for Electrical Accessories-Floor Box)
Model:	HTD-1, HTD-1L, HTD-101, HTD-101P, HTD-102, HTD-102P, HTD-103B2R, HTD-120K, HTD-120KP, HTD-140FK, HTD-140FKP, HTD-146K, HTD-146KP, HTD-16, HTD-16L, HTD-1602, HTD-1602L, HTD-17X, HTD-17XL, HTD-18, HTD-18L, HTD-180K, HTD-180KP, HTD-2, HTD-2P, HTD-210CK, HTD-210CKP, HTD-24, HTD-24L, HTD-28, HTD-28L, HTD-3, HTD-3P, HTD-71, HTD-71L, HTD-140YK, HTD-140YKP, FD221, FD666-T&B/H1, FD777-T/F/H1
Date of receipt of test item:	Refer to cover page
Test location:	Room 02, The 2nd floor No.201, GRG Technological Building, 163 Ping Yun Rd, Tianhe District, Guangzhou, China
Test standard:	EN 60670-23:2008 in conjunction with EN 60670-1:2005
Test date(s):	Refer to cover page
Test result:	The test results are in compliance with the above mentioned standards.
Date of issue:	Refer to cover page
Other aspects:	/
Abbreviations:	P = passed; F = failed; N/A = not applicable

Product Show:



Features:

- 1).Adapt for wall installation in Kitchen cabinet or wall of hotel & villa
- 2).Coverplate open degree over 270 degree rotating;
- 3) Well-polished nano technology material with protect from oil and water splash entry into insert of socket

Available sockets or modules types:

SAFEWIRE

45 Type Function Accessories

F2	F3	F4	F11	F15	F16	F18		
F20F21F22F23F25F28	F50	F51	F52	F53	F55	F56	F58	F59
F60	F62	F65F66F67F68	F68	F71				



SAFEWIRE

Wenzhou Safewire Electric Co.,Ltd.

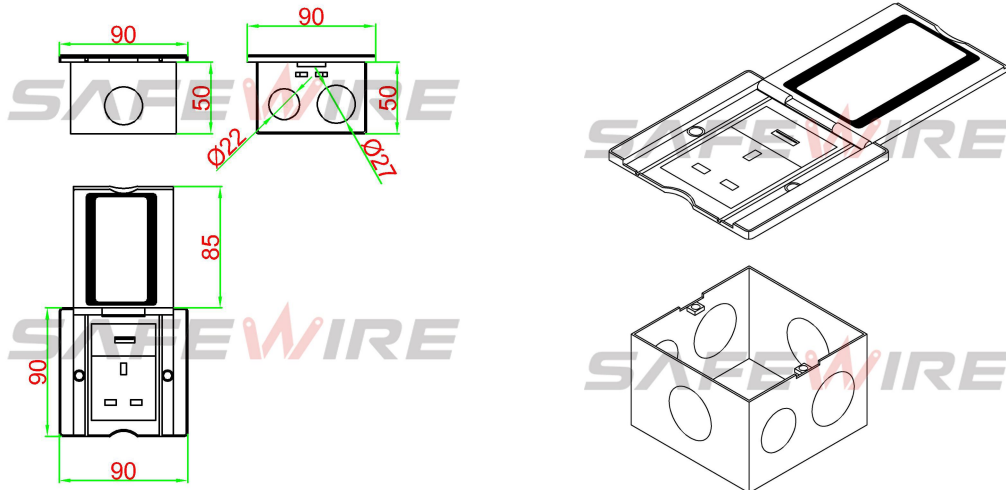
No.152 Xingguang Road, Xingguang industry zone, Liushi town, Yueqing, Wenzhou,China ,325604

HTD-103 Outline drawing:

SAFEWIRE

HTD-103 outline

Units:mm



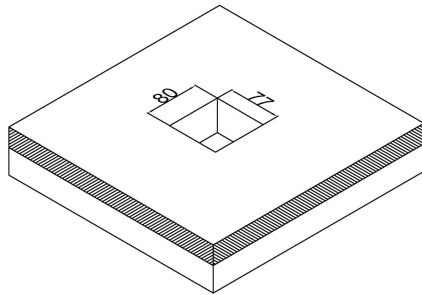
(Image is for reference only.)

Package : 30 Pcs inner box into a master carton.Poly bag with box packing.

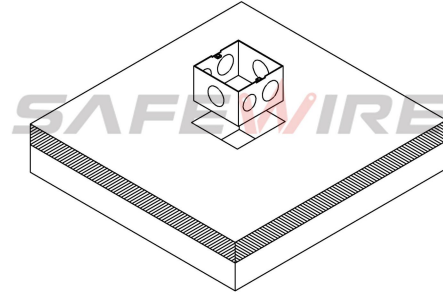




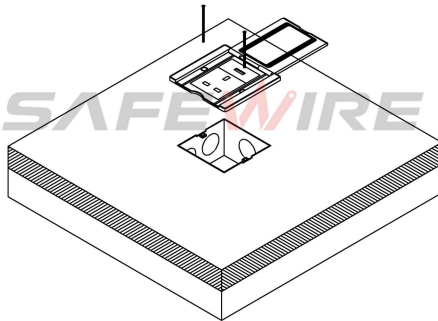
Installation instructions:



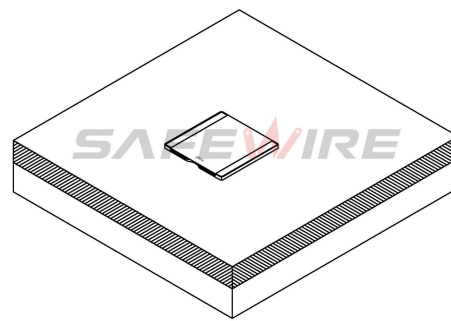
(1)



(2)



(3)



(4)

1) Floor box

Align floor box in dea centre as delivered.Bend open ears and fix to raw ceiling.

2) Steel armored conduit

Bend open perforation in the sides of floor box and insert steel armored conduit.

3) Casting screed

Seal all opening of the floor box as delivered and cast screed accurately to the shuttering unit.

Remove shuttering unit when screed is hardened.

4) Heavy current/Data systems.

Insert heavy current derides from the top and connect form below and snap tabs into the frame;Insert connected data Jacks from below into the plate,Fasten equipped plate accordingly.

5) Connecting and earthing

Connect heavy current/data with the lines which are lead into bottom box.And connect earthing lines of floor cabling systems with earthing screw of bottom box forgue $> 0.4N.m$.Verify reliable and safe.

6) Single outlet

Insert rubber seal and cartridge cover,in case of dry maintenance floors install cartridge unit with cable outlet.The unit must be integrated in the potential equalization of the system.

7) Levelling to floor

Remove cartridge cover and rubber seal and adjust outlet to floor height flush over the four levelling screws



Attentions:

- 1.Dispose of trash in bottom box and prevent dirt and debris from entering inside.
- 2.The sealing ring is closely attached to the smooth surface to prevent water leakage.
- 3.When installing, pay attention to the opening direction,the length of the conductor to the bottom box shall not exceed 10cm,Set aside at least 200mm of cable.
- 4.When installing and wiring,Product should avoid direct contact with corrosive liquid, gas (strong acid, strong alkali, paint).
- 5.This product is suitable for dry surface treatment, avoid water flush and immersion, and ensure its insulation.
- 6.The flooring surface shall be at least level with the ground or 20mm below the ground.

Safety Warning:

- 1)This is a class I product and must be earthed.
- 2)This product must be installed/wired by a qualified electrician.
- 3)before installation/maintenance ,ensure the mains supply is switched off and the circuit fuses are removed or circuit breakers switch off.
- 4)Avoid acid alkaline solution flushing,avoid scratch of transparent protective paint,ensure corrosion resistance.
- 5)Only for concrete floor.