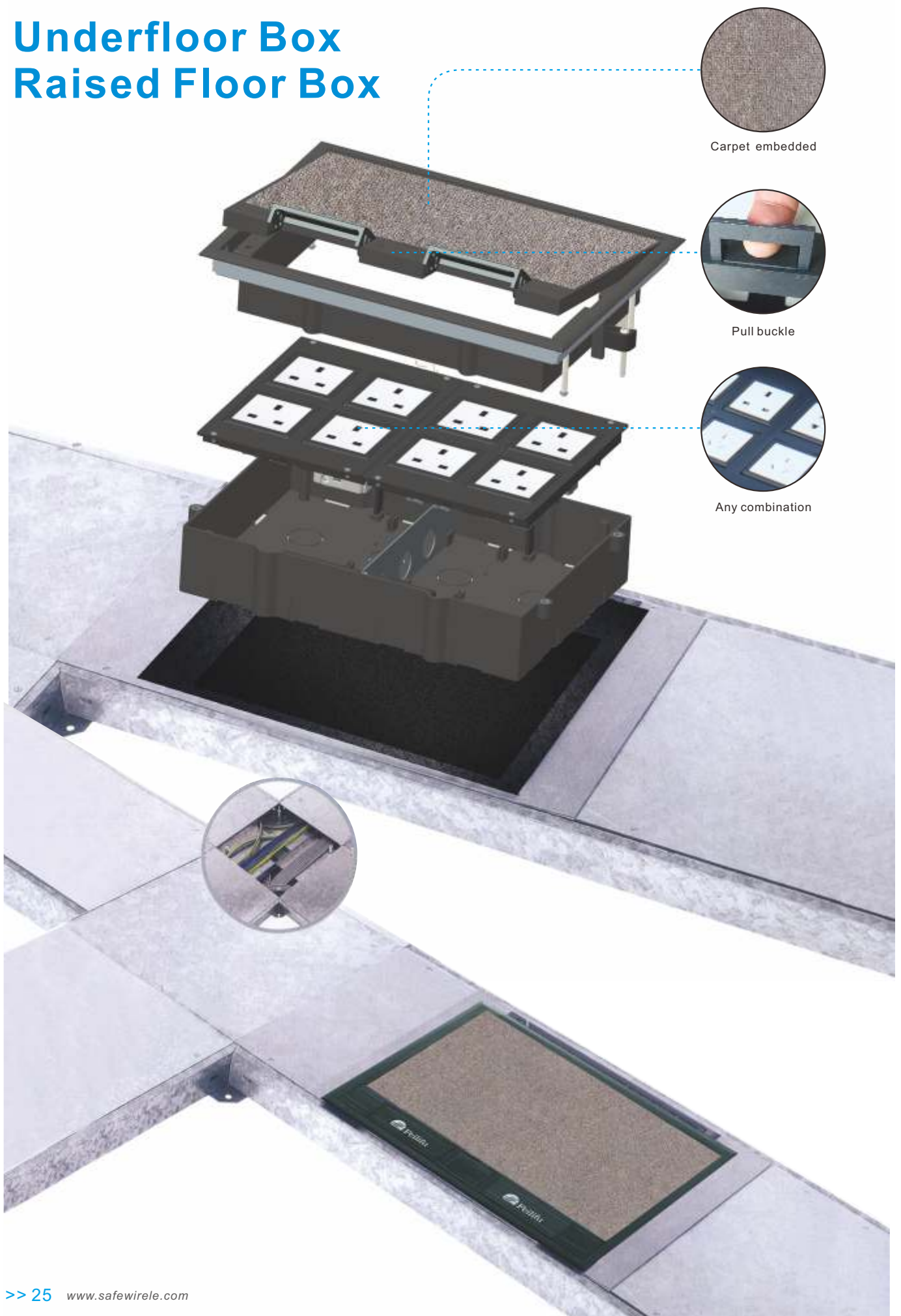


# Underfloor Box Raised Floor Box



## Features



Self Closing Lid



Rotating Ladder



Improved Handle



Removable Coverplate



Adjustable Height



Optional Cover Plate

## More Optional Switch & Socket Choice



120 Switch Board



86 Switch Board



86 Type Compartment



45\*45mm Modules



Side-mounting 86 Board

## More Optional installation

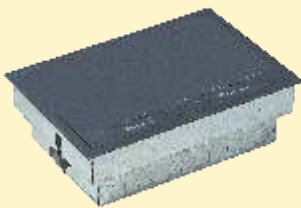


Horizontal



Side-mounting

## More Optional Under Floor Box For Concrete Floor / Raised Floor

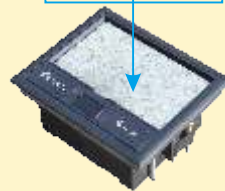


Galvanized steel



Plastic Bottom Box

## More Optional Surface



Cover middle with 8mm concavity  
Concave side can be filled with flooring.

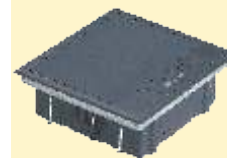


Installed on carpet

## More Optional Coverplate



HTD-XXXAS  
Cover middle can be filled



HTD-XXXSS  
Filled with Plastic plate



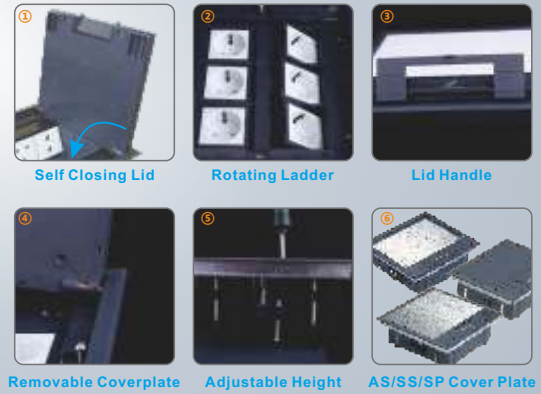
HTD-XXXSP  
Filled with SUS plate

Desktop Socket

SCF Series Floor Socket

Switch

Accessories



# HTD-622AS/SS/SP

SCF Series: Raised/Concrete /Trunking system floor box

## Features:

- 1.Optional floor:Applicable for access and concrete floor
- 2.Safety lid:Frame &lid from ABS plastic ,static pressure over 1000N.
- 3.Protected opening system: Easy grip recessed lifting handle.
- 4.Fast- installation:Clip fixing of plastic frame & receptacle and Data .
- 5.Cavity of floor: 8mm and lid is overlapping the edge of the floor.
- 6.Adjustable height of bottom box:76~111mm.

**Remark:** For concrete floor:

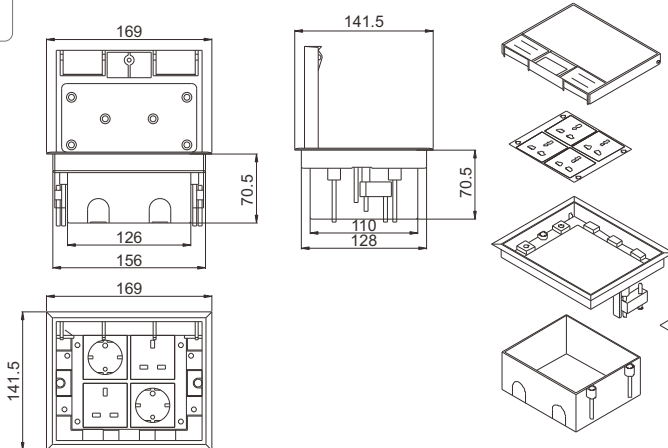
To be with additional metal box item#BG-HTD622

## Technical Parameters :

Parameter	Description
Color	Grey,Black
Material	ABS, galvanized steel
Overall Frame & Lid (mm)	169*141.5
Compact floor cut-out(mm)	156*128
Thickness of concavity/	8
Frame lid recess (mm)	
Installation depth(mm)	76~111
Plug top clearance(mm)	14~48
Available outlet accessories	8 ways Mosaic 45*45mm modules



## Outline Drawing: Unit:mm

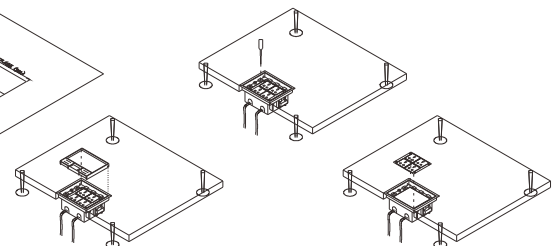


(Image is for reference only.)

Package: 12 Pcs inner box into a master carton.Poly bag with box packing.

## Installation Guide

- 1.Floor box(For concrete floor)
- 2.Steel armored conduit(For trunking system/Access floor).
- 3.Put under floor box into cut out and adjust height (For raised floor) .
- 4.Installing Heavy current/Data systems
- 5.Connecting and earthing.
- 6.Assembly and plug into underfloor box.
- 7.Single outlet





Desktop Socket

SCF Series Floor Socket

Switch

Accessories

# HTD-624AS/SS/SP-45 SCF Series: Raised/Concrete /Trunking system floor box

## Features:

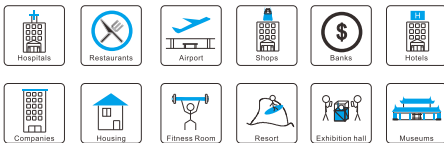
- 1.Optional floor:Applicable for access and concrete floor
- 2.Safety lid:Frame &lid from ABS plastic ,static pressure over 1000N.
- 3.Protected opening system: Easy grip recessed lifting handle.
- 4.Fast- installation:Clip fixing of 45\*45mm frame & receptacle and Data .
- 5.Cavity of floor: 8mm and lid is overlapping the edge of the floor.
- 6.Adjustable height of bottom box:76~111mm.

**Remark:** For concrete floor:

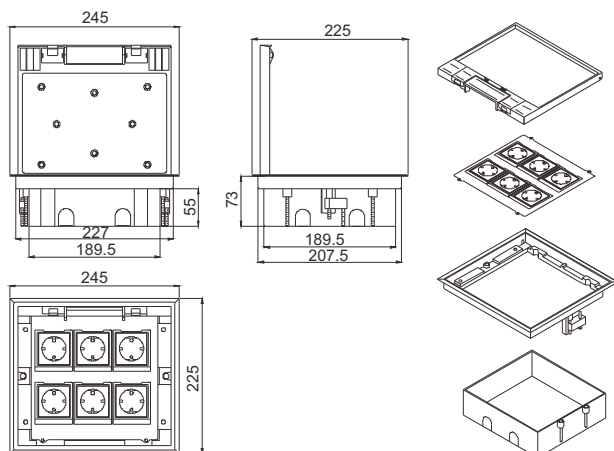
To be with additional metal box item#BG-HTD622

## Technical Parameters :

Parameter	Description
Color	Grey,Black
Material	ABS, galvanized steel
Overall Frame & Lid (mm)	245*225
Compact floor cut-out(mm)	228*208
Thickness of concavity/	8
Frame lid recess (mm)	
Installation depth(mm)	76~111
Plug top clearance(mm)	13~48
Available outlet accessories	12 ways Mosaic 45*45mm modules

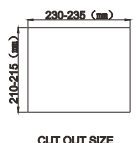
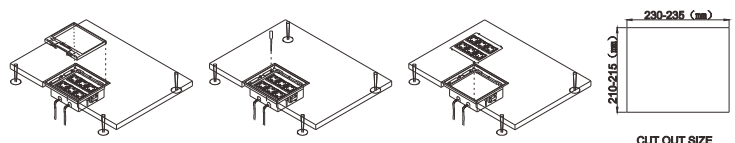


## Outline Drawing: Unit:mm



## Installation Guide

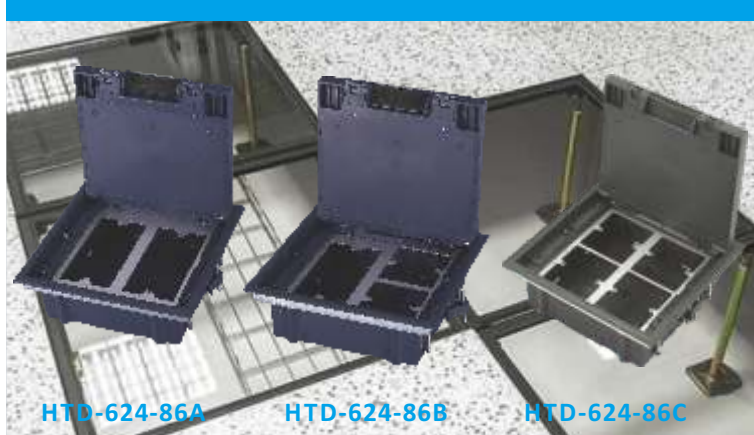
- 1.Remove the panel from the bottom box along with the electrical modules.
- 2.Fix the flooring with spare screws on the bottom box and place it in the embedded hole.
- 3.The flooring surface shall be at least level with the ground or 20mm below the ground.
- 4.Remove flooring surface ,Insert the 10--12mm lead head into the terminal of floor box.
- 5.Fix the panel to the bottom box with screws.



(Image is for reference only.)

Package: 12 Pcs inner box into a master carton.Poly bag with box packing.

Desktop Socket



SCF Series Floor Socket

# HTD-624AS/SS/SP-86 SCF Series: Raised/Concrete /Trunking system floor box

## Features:

- 1.Optional floor:Applicable for access and concrete floor
- 2.Safety lid:Frame &lid from ABS plastic ,static pressure over 1000N.
- 3.Protected opening system: Easy grip recessed lifting handle.
- 4.BS standard receptacle: screw fixing of two\* twins 86 type or 4\* 86\*86 switch socket bridge accessories.
- 5.Cavity of floor: 8mm and lid is overlapping the edge of the floor.
- 6.Adjustable height of bottom box:76~111mm.

**Remark:** For concrete floor:  
To be with additional metal box item#BG-HTD624

## Technical Parameters :

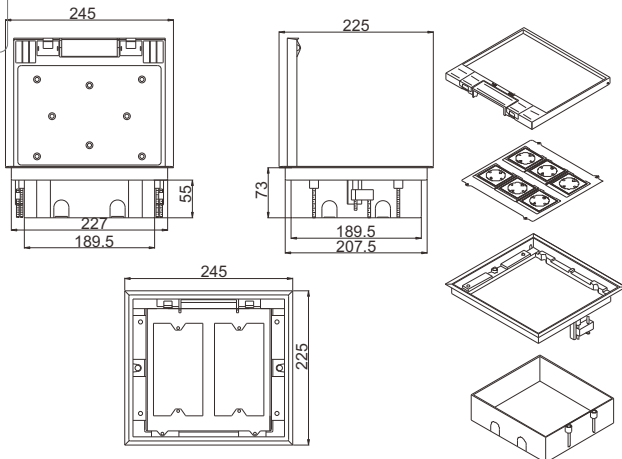
Parameter	Description
Color	Grey,Black
Material	ABS, galvanised steel
Overall Frame & Lid (mm)	245*225
Compact floor cut-out(mm)	228*208
Thickness of concavity/	8
Frame lid recess (mm)	
Installation depth(mm)	76~111
Plug top clearance(mm)	13~48
Available receptacle	two* twins 86 type or 4* 86*86 switch socket

Switch

Accessories

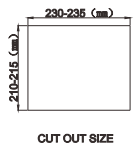
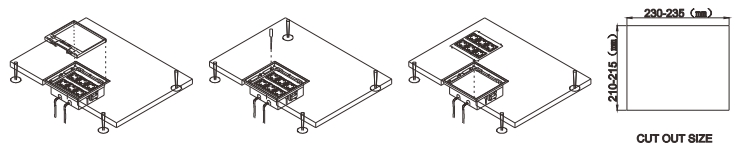


## Outline Drawing: Unit:mm



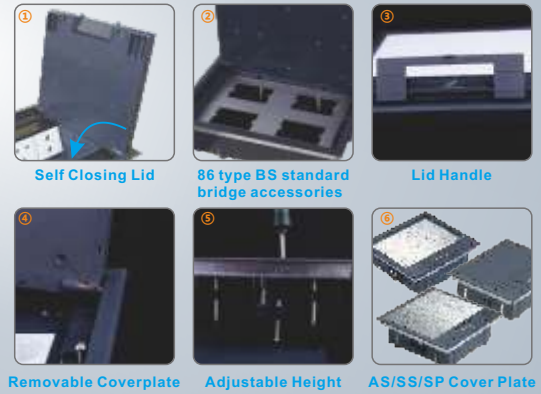
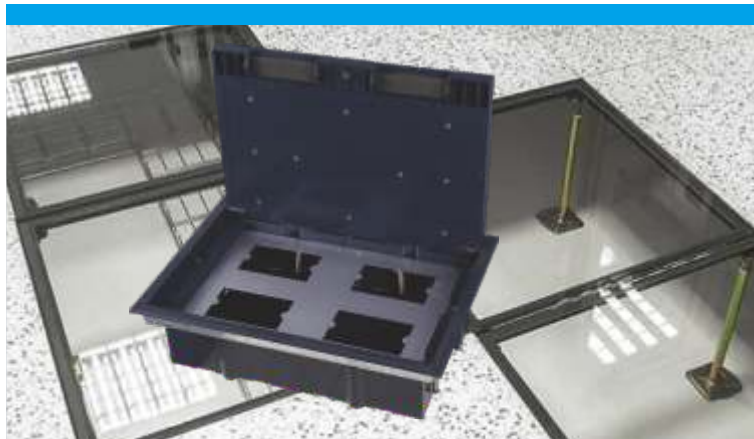
## Installation Guide

- 1.Remove the panel from the bottom box along with the electrical modules.
- 2.Fix the flooring with spare screws on the bottom box and place it in the embedded hole.
- 3.The flooring surface shall be at least level with the ground or 20mm below the ground.
- 4.Remove flooring surface ,Insert the 10--12mm lead head into the terminal of floor box.
- 5.Fix the panel to the bottom box with screws.



(Image is for reference only.)

Package: 12 Pcs inner box into a master carton.Poly bag with box packing.



Desktop Socket

SCF Series Floor Socket

Switch

Accessories

# HTD-624AS/SS/SP-120 SCF Series: Raised/Concrete /Trunking system floor box

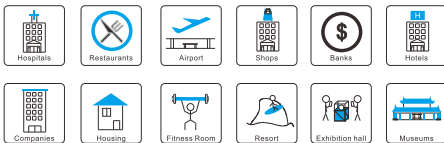
## Features:

- 1.Optional floor:Applicable for access and concrete floor
- 2.Safety lid:Frame &lid from ABS plastic ,static pressure over 1000N.
- 3.Protected opening system: Easy grip recessed lifting handle.
- 4.BS standard receptacle: screw fixing of 4\* 120 type socket bridge accessories.
- 5.Cavity of floor: 8mm and lid is overlapping the edge of the floor.
- 6.Adjustable height of bottom box:76~111mm.

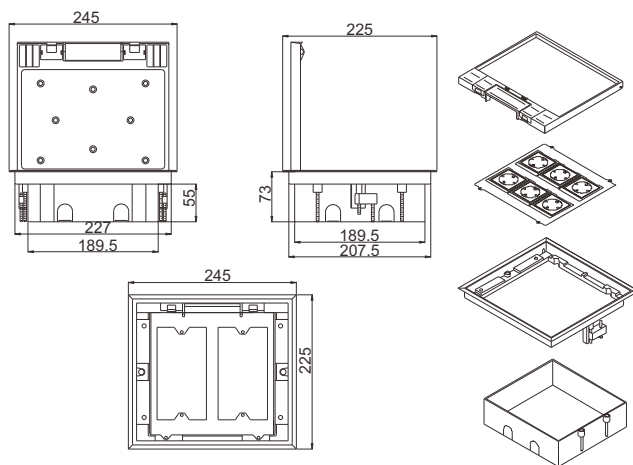
**Remark:** For concrete floor:  
To be with additional metal box item#BG-HTD624

## Technical Parameters :

Parameter	Description
Color	Grey,Black
Material	ABS, galvanised steel
Overall Frame & Lid (mm)	245*225
Compact floor cut-out(mm)	228*208
Thickness of concavity/	8
Frame lid recess (mm)	
Installation depth(mm)	76~111
Plug top clearance(mm)	13~48
Available modules	4* 120 type switch socket

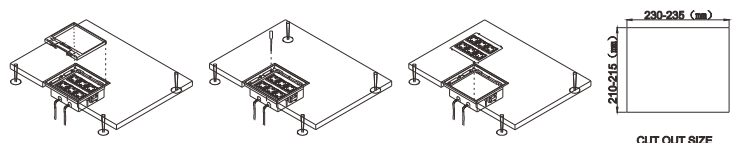


## Outline Drawing: Unit:mm



## Installation Guide

- 1.Remove the panel from the bottom box along with the electrical modules.
- 2.Fix the flooring with spare screws on the bottom box and place it in the embedded hole.
- 3.The flooring surface shall be at least level with the ground or 20mm below the ground.
- 4.Remove flooring surface ,Insert the 10--12mm lead head into the terminal of floor box.
- 5.Fix the panel to the bottom box with screws.



(Image is for reference only.)

Package: 12 Pcs inner box into a master carton.Poly bag with box packing.

Desktop Socket

SCF Series Floor Socket

Switch

Accessories



# HTD-624B

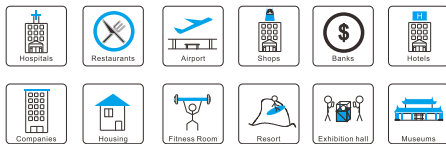
SCF Series: Raised/Concrete/Trunking system floor box

## Features:

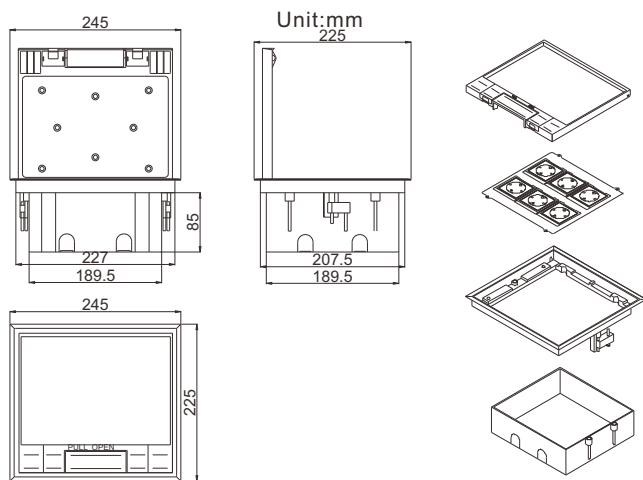
1. BS switch socket accessories: optional two 86\*146 type twins switch socket compartments or four 86\*86 type switch socket.
2. More plug top clearance: side-mounting installation of switch socket.
3. Protect opening system: Easy grip recessed lifting handle and only be opened by pulling both opening clips at the same time. The clips of floor boxes are self-positioning and secure the fastening.
4. More higher galvanized steel box: 85mm height.

## Technical Parameters :

Parameter	Description
Color	Grey,Black
Material	ABS, galvanised steel
Overall Frame & Lid (mm)	245*225
Compact floor cut-out(mm)	213*233
Thickness of concavity/	8
Frame lid recess (mm)	
Installation depth(mm)	85
Plug top clearance(mm)	13~48
Available outlet modules	side-mounting 4 gang 86*86 switch socket

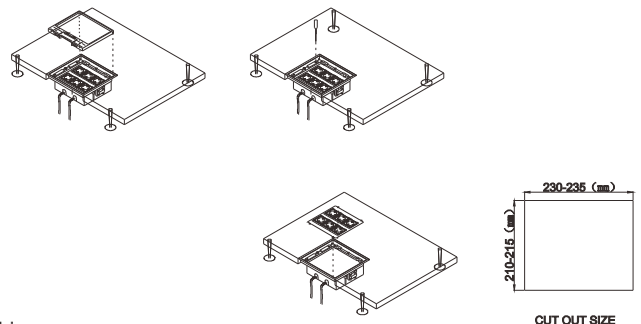


## Outline Drawing:



## Installation Guide

1. Remove the panel from the bottom box along with the electrical modules.
2. Fix the flooring with spare screws on the bottom box and place it in the embedded hole.
3. The flooring surface shall be at least level with the ground or 20mm below the ground.
4. Remove flooring surface ,Insert the 10--12mm lead head into the terminal of floor box.
5. Fix the panel to the bottom box with screws.



(Image is for reference only.)

Package:4 Pcs inner box into a master carton.Poly bag with box packing.



Desktop Socket

SCF Series Floor Socket

Switch

Accessories

# HTD-626AS/SS/SP-45

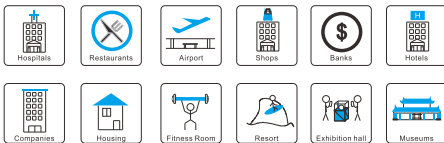
SCF Series: Raised/Concrete /Trunking system floor box

## Features:

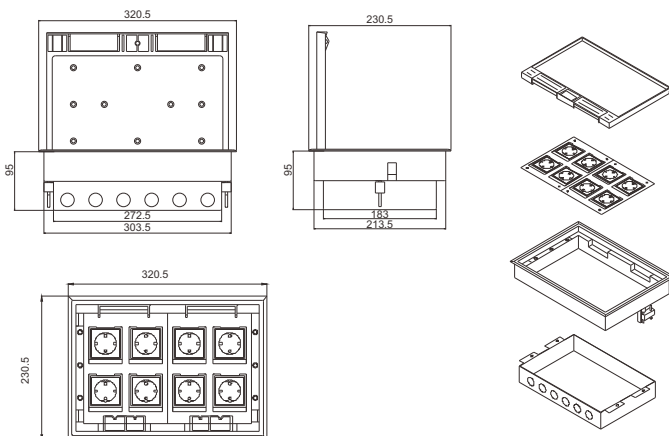
1. Optional floor applicable for access and concrete floor
2. Safety lid frame:from high impact ABS plastic material static pressure over 1000N
3. Cavity depth:8mm
4. Adjustable of bottom box:76~111mm
5. International modules:clamp fixing of 45×45mm receptacle for fast installation.

## Technical Parameters :

Parameter	Description
Color	Grey,Black
Material	ABS, galvanised steel
Overall Frame & Lid (mm)	320.5*230.5
Compact floor cut-out(mm)	305*212
Thickness of concavity/	8
Frame lid recess (mm)	
Installation depth(mm)	95
Plug top clearance(mm)	13~48
Available modules	16 modules 45*45mm Mosaic

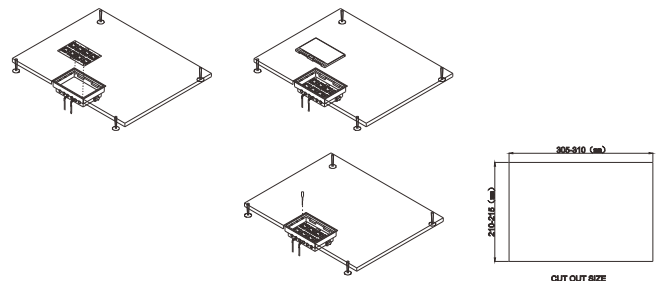


## Outline Drawing: Unit:mm



## Installation Guide

- 1.Remove the panel from the bottom box along with the electrical modules.
- 2.Fix the flooring with spare screws on the bottom box and place it in the embedded hole.
- 3.The flooring surface shall be at least level with the ground or 20mm below the ground.
- 4.Remove flooring surface ,Insert the 10--12mm lead head into the terminal of floor box.
- 5.Fix the panel to the bottom box with screws.



(Image is for reference only.)

Package:4 Pcs inner box into a master carton.Poly bag with box packing.

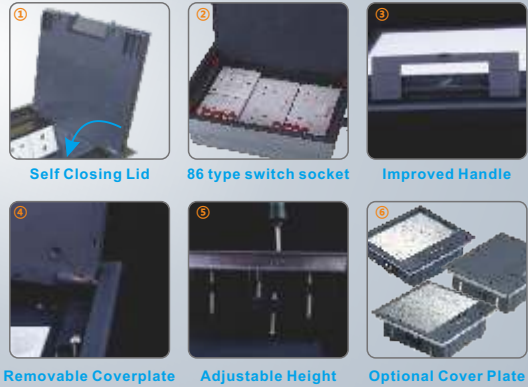


Desktop Socket

SCF Series Floor Socket

Switch

Accessories



# HTD-626AS/SS/SP-86

SCF Series: Raised/Concrete /Trunking system floor box

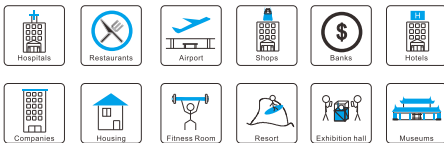
## Features:

- 1.Optional floor:Applicable for access and concrete floor
- 2.Safety lid:Frame &lid from ABS plastic ,static pressure over 1000N.
- 3.Protected opening system: Easy grip recessed lifting handle.
- 4.BS standard receptacle: screw fixing of three\* twins 86 type or 6\* 86\*86 switch socket bridge accessories.
- 5.Cavity of floor: 8mm and lid is overlapping the edge of the floor.
- 6.Adjustable height of bottom box:76~111mm.

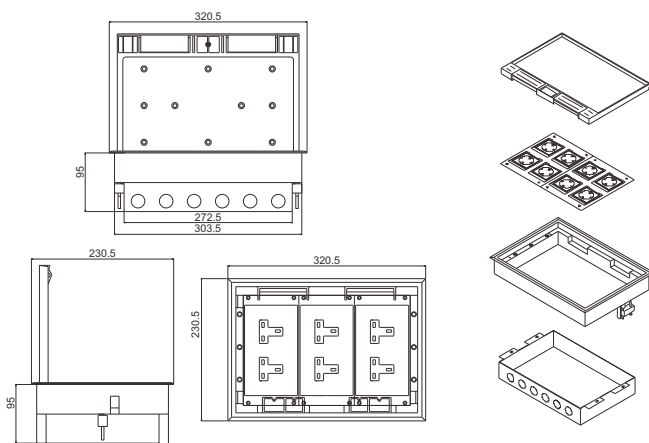
**Remark:** For concrete floor:  
To be with additional metal box item#BG-HTD626

## Technical Parameters :

Parameter	Description
Color	Grey,Black
Material	ABS, galvanised steel
Overall Frame & Lid (mm)	320.5*230.5
Compact floor cut-out(mm)	305*212
Thickness of concavity/	8
Frame lid recess (mm)	
Installation depth(mm)	95
Plug top clearance(mm)	13~48
Available modules	three* twins 86 type or 6* 86*86 switch socket



## Outline Drawing: Unit:mm

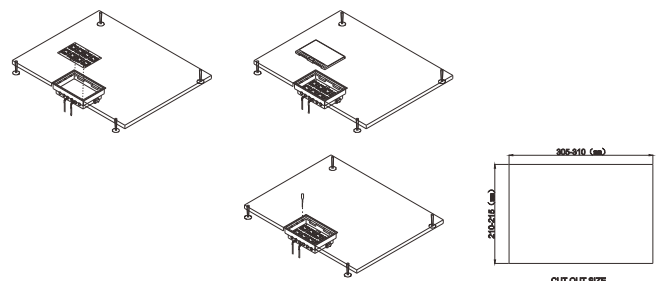


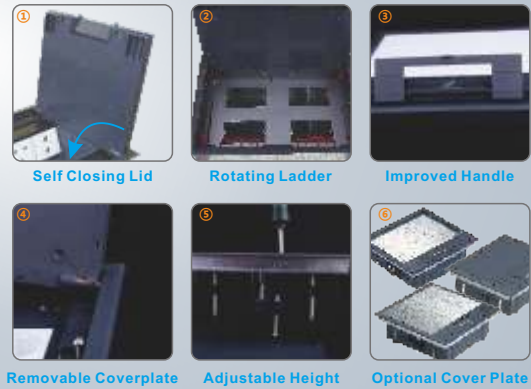
(Image is for reference only.)

Package:4 Pcs inner box into a master carton.Poly bag with box packing.

## Installation Guide

- 1.Remove the panel from the bottom box along with the electrical modules.
- 2.Fix the flooring with spare screws on the bottom box and place it in the embedded hole.
- 3.The flooring surface shall be at least level with the ground or 20mm below the ground.
- 4.Remove flooring surface ,Insert the 10--12mm lead head into the terminal of floor box.
- 5.Fix the panel to the bottom box with screws.





Desktop Socket

SCF Series Floor Socket

Switch

Accessories

# HTD-626AS/SS/SP-120

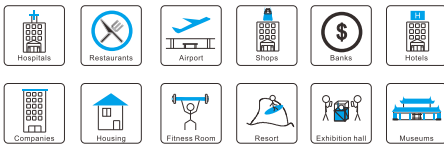
SCF Series: Raised/Concrete /Trunking system floor box

## Features:

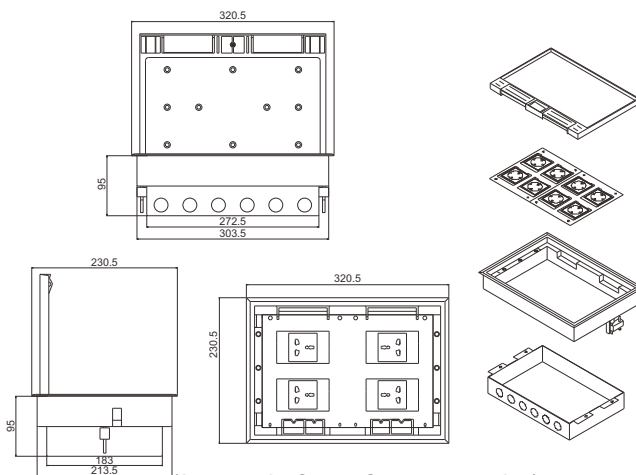
1. Optional floor applicable for access and concrete floor
2. Safety lid frame:from high impact ABS plastic material static pressure over 1000N
3. Cavity depth:8mm
4. Adjustable of bottom box:76~111mm
5. 120 standard receptacle: screw fixing of 4\* 120 type switch socket bridge accessories.

## Technical Parameters :

Parameter	Description
Color	Grey,Black
Material	ABS, galvanised steel
Overall Frame & Lid (mm)	320.5*230.5
Compact floor cut-out(mm)	305*212
Thickness of concavity/	8
Frame lid recess (mm)	
Installation depth(mm)	95
Plug top clearance(mm)	13~48
Available modules	4* 120 type switch socket



## Outline Drawing: Unit:mm

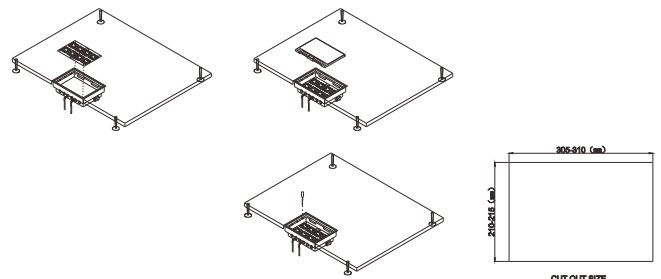


(Image is for reference only.)

Package:4 Pcs inner box into a master carton.Poly bag with box packing.

## Installation Guide

- 1.Remove the panel from the bottom box along with the electrical modules.
- 2.Fix the flooring with spare screws on the bottom box and place it in the embedded hole.
- 3.The flooring surface shall be at least level with the ground or 20mm below the ground.
- 4.Remove flooring surface ,Insert the 10--12mm lead head into the terminal of floor box.
- 5.Fix the panel to the bottom box with screws.



Desktop Socket



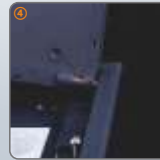
Self Closing Lid



Rotating Ladder



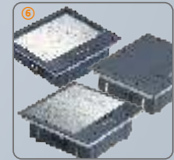
Improved Handle



Removable Coverplate



Adjustable Height



Optional Cover Plate

SCF Series Floor Socket

# HTD-628AS/SS/SP

SCF Series: Raised/Concrete /Trunking system floor box

## Features:

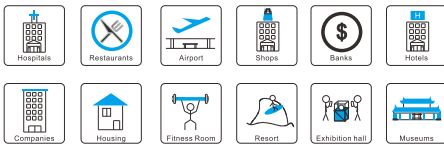
1. Optional floor applicable for access and concrete floor
2. Safety lid frame:from high impact ABS plastic material static pressure over 1000N
3. Cavity depth:8mm
4. Adjustable of bottom box:76~111mm
5. International modules:clamp fixing of 45×45mm receptacle for fast installation.

## Technical Parameters :

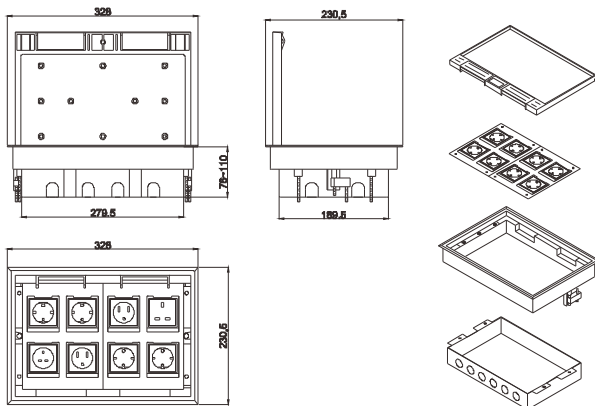
Parameter	Description
Color	Grey,Black
Material	ABS, galvanised steel
Overall Frame & Lid (mm)	328.5*230.5
Compact floor cut-out(mm)	310*213
Thickness of concavity/	8
Frame lid recess (mm)	
Installation depth(mm)	76~110
Plug top clearance(mm)	13~48
Available modules	16 modules 45*45mm Mosaic

Switch

Accessories

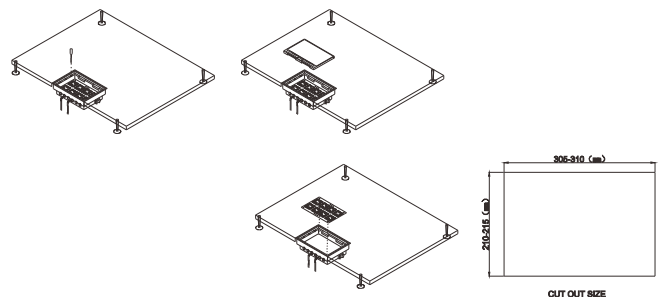


## Outline Drawing: Unit:mm



## Installation Guide

1. Floor box(For concrete floor)
2. Steel armored conduit(For trunking system/Access floor).
3. Put under floor box into cut out and adjust height(For raised floor) .
4. Installing Heavy current/Data systems
5. Connecting and earthing.
6. Assembly and plug into underfloor box.
7. Single outlet

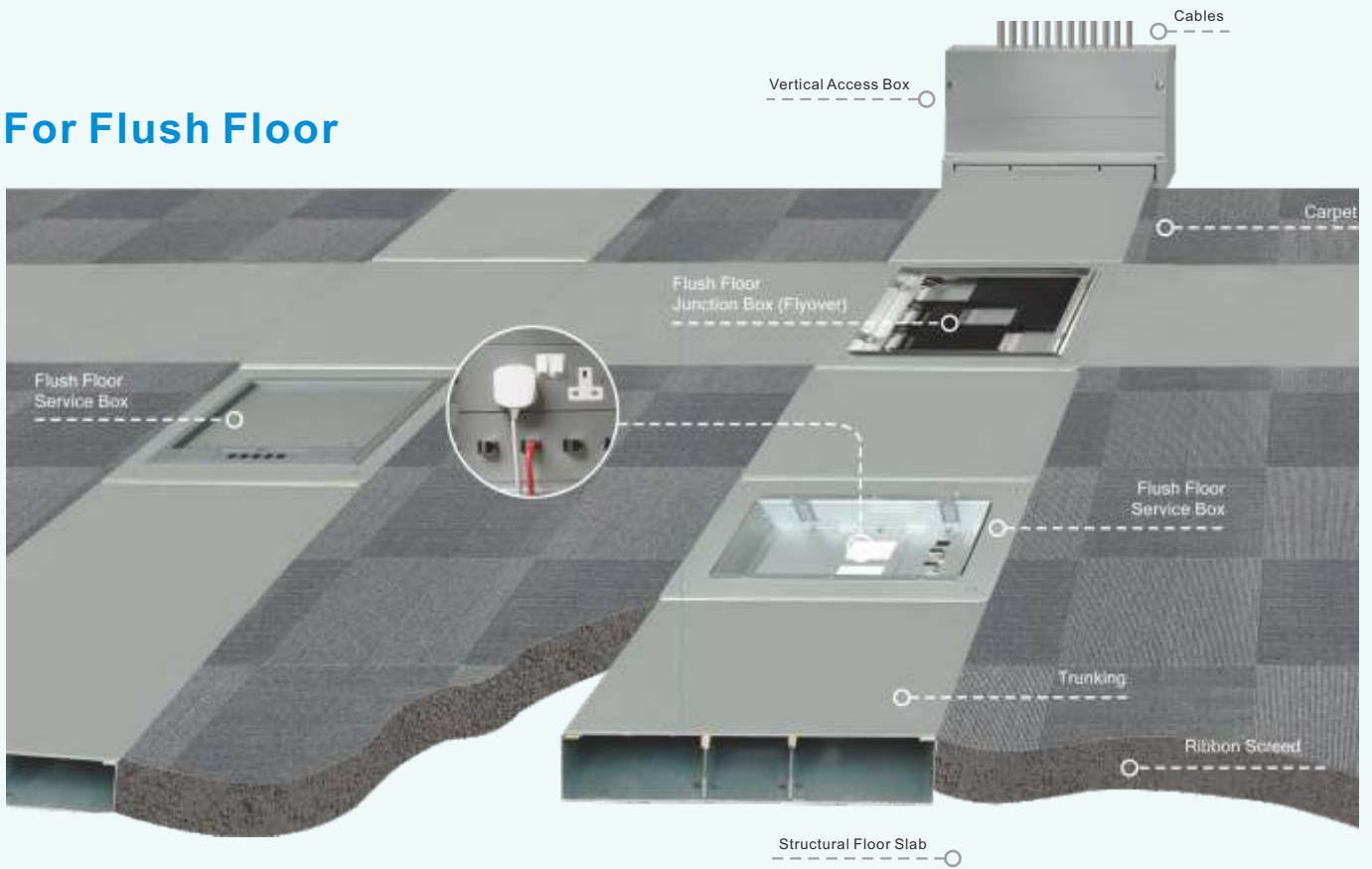


(Image is for reference only.)

Package:4 Pcs inner box into a master carton.Poly bag with box packing.

# Carpet Box Raised Floor Box Cavity Box

## For Flush Floor



## For Raised Floor Box





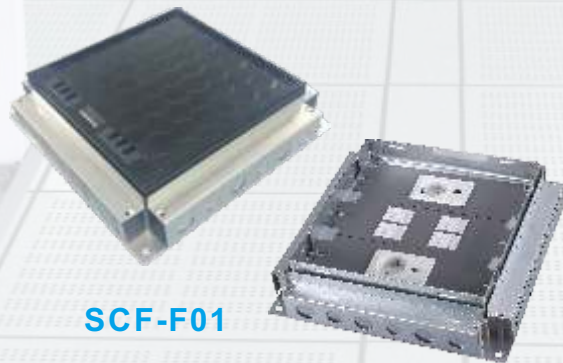
**SCF-A01**



**SCF-T01**



**SCF-Q01**



**SCF-F01**

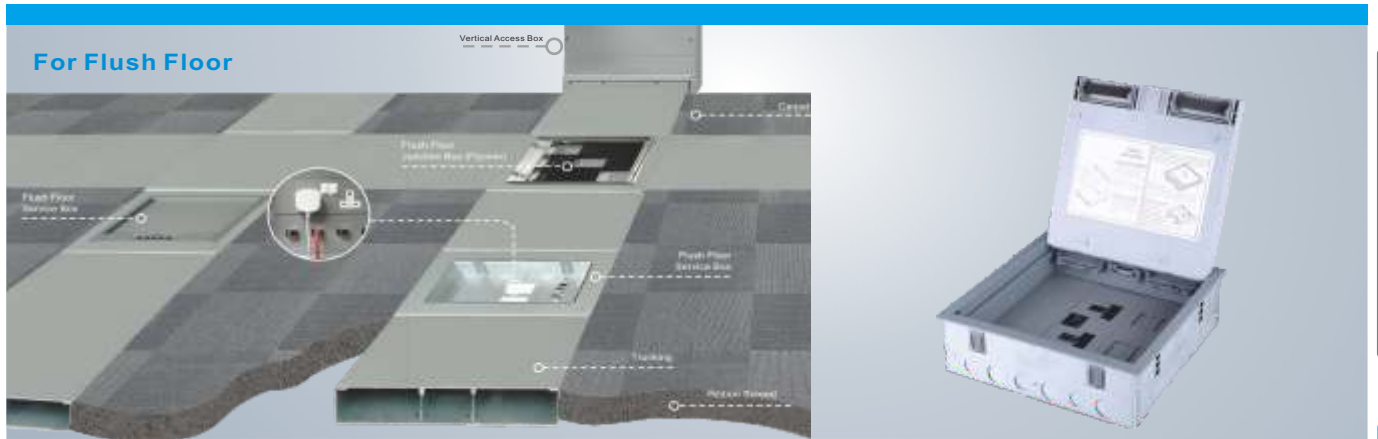
**Features:**

- Floor box manufactured from galvanized steel.
- 20mm knockouts to accept flexible conduit.
- Cavity depth 8~10mm.
- Galvanized lid insert for strength.
- Easy grip recessed lifting handle.
- Clamp fixing for fast installation.
- Large range of accessory plates.
- Special plates available to order.

**Accessory Plates**

 A grid of accessory plates with labels:
 

- Twin switch socket plate Item#SAP01
- 4 way perella data plate Item#SAP02
- Blank plate Item#SAP03
- SAP028
- SAP026
- SAP024
- SAP027
- SAP025
- SAP030
- SAP031
- SAP032



Desktop Socket

SCF Series Floor Socket

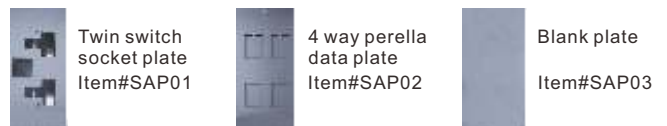
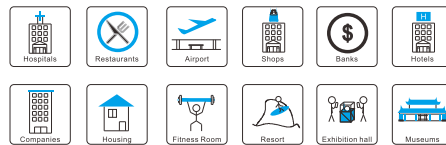
# SCF-A01 SCF Series: Raised/Concrete /Trunking system floor box

## Features:

1. Frame and lid:from ABS ,Static pressure>1000N.
2. Bottom box:from galvanized steel
3. More cavity depth:over 8~10mm;
4. Module Compartment :Clamp fixing BS standard 86/146 twins switch socket or international 45\*45mm receptacle and data.

## Technical Parameters :

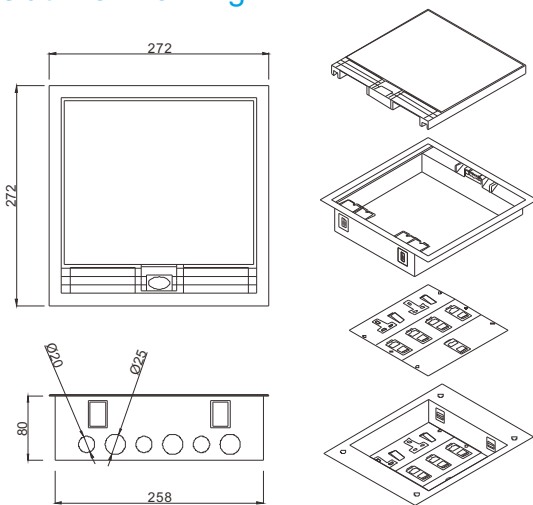
Parameter	Description
Floor Cut Out	270x270mm
Floor Box Depth	80mm
Plug Top Clearance	30mm
Overall Frame & Lid	270x270mm
Frame Lid Recess	8-10mm



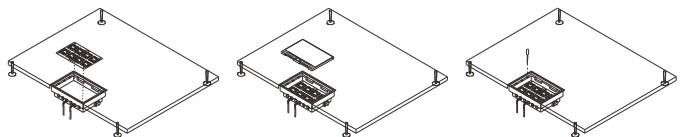
Switch

Accessories

## Outline Drawing:



## Installation Guide



(Image is for reference only.)

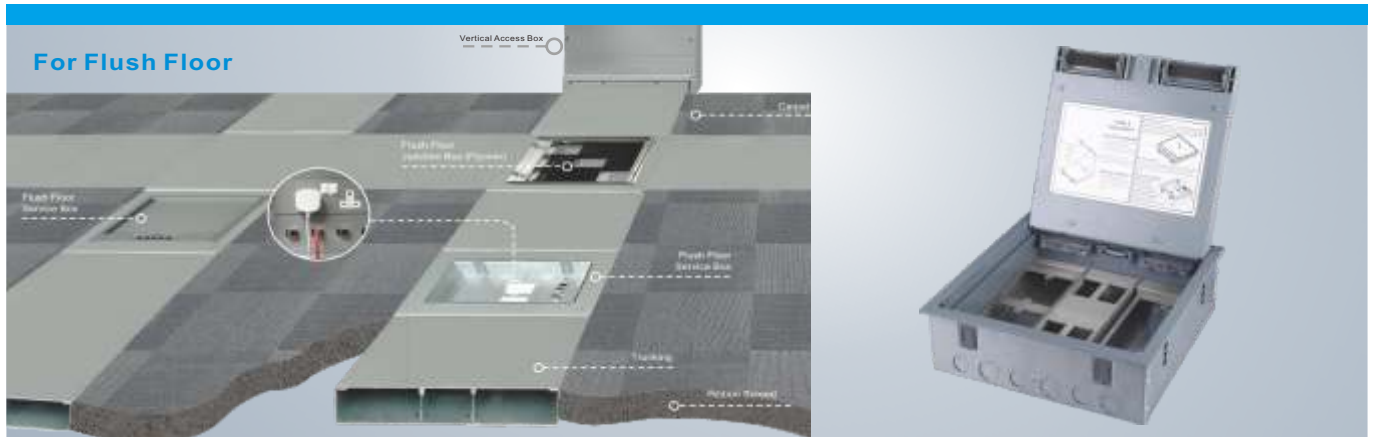
Package:6 Pcs inner box into a master carton.Poly bag with box packing.

Desktop Socket

SCF Series Floor Socket

Switch

Accessories



# SCF-T01

SCF Series: Raised/Concrete /Trunking system floor box

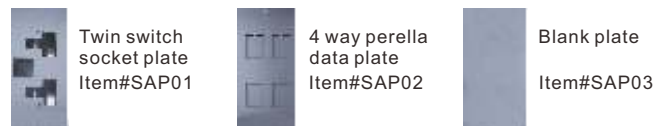
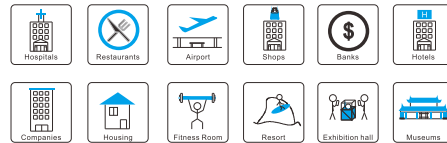
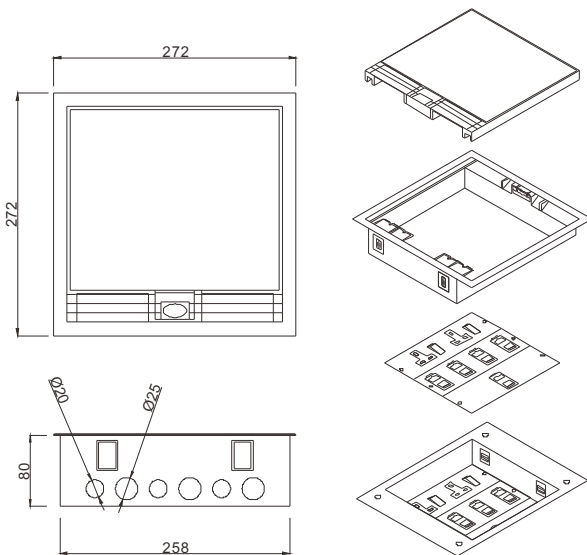
## Features:

1. Frame and lid:from ABS ,Static pressure>1000N.
2. Bottom box:from galvanized steel
3. More cavity depth:over 8~10mm;
4. Module Compartment :Clamp fixing BS standard 86/146 twins switch socket or international 45\*45mm receptacle and data.

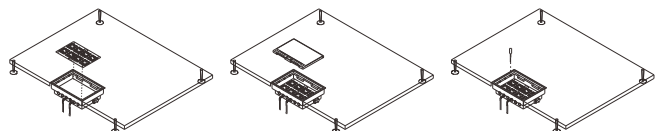
## Technical Parameters :

Parameter	Description
Floor Cut Out	254x254mm
Floor Box Depth	80mm
Plug Top Clearance	30mm
Overall Frame & Lid	272x272mm
Frame Lid Recess	8-10mm

## Outline Drawing: Unit:mm

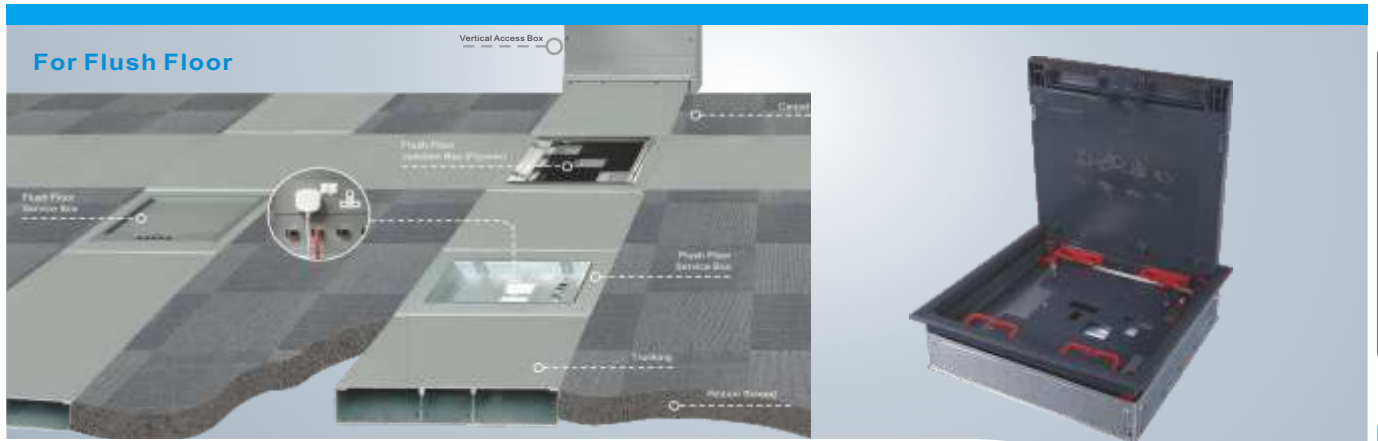


## Installation Guide



(Image is for reference only.)

Package:6 Pcs inner box into a master carton.Poly bag with box packing.



Desktop Socket

SCF Series Floor Socket

Switch

Accessories

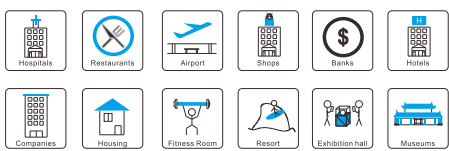
# SCF-Q01 SCF Series: Raised/Concrete /Trunking system floor box

## Features:

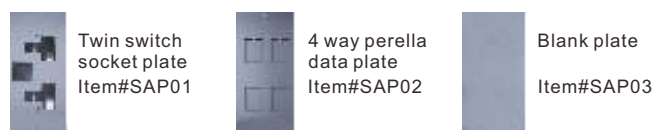
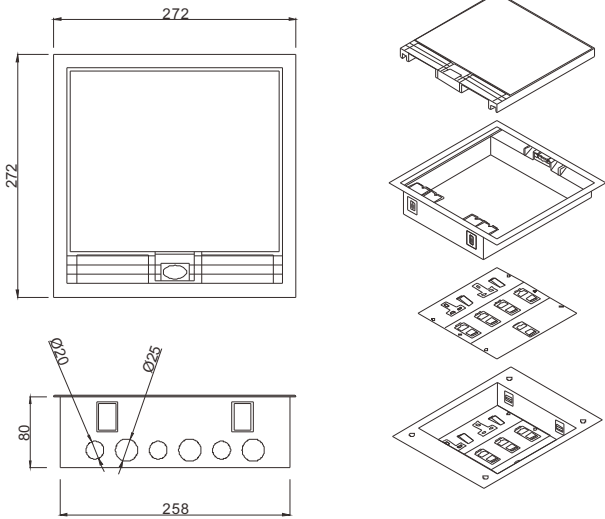
1. Applicable:raised floor/trunking system/concrete floor flushing mounting
2. Frame and lid:from ABS ,Static pressure>1000N.
3. Bottom box:from galvonisea steel
4. cavity depth:over8~10mm
5. International receptacle and data BS standard
6. clamp fixing of 86/146 twins switch socket or 45×45mm

## Technical Parameters :

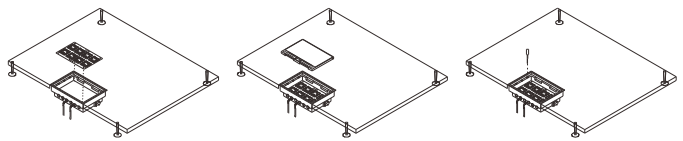
Parameter	Description
Floor Cut Out	260x260mm
Floor Box Depth	83mm
Plug Top Clearance	30mm
Overall Frame & Lid	273x273mm
Frame Lid Recess	8-10mm
Accessories Plates	250x77mm



## Outline Drawing:



## Installation Guide



(Image is for reference only.)

Package:6 Pcs inner box into a master carton.Poly bag with box packing.

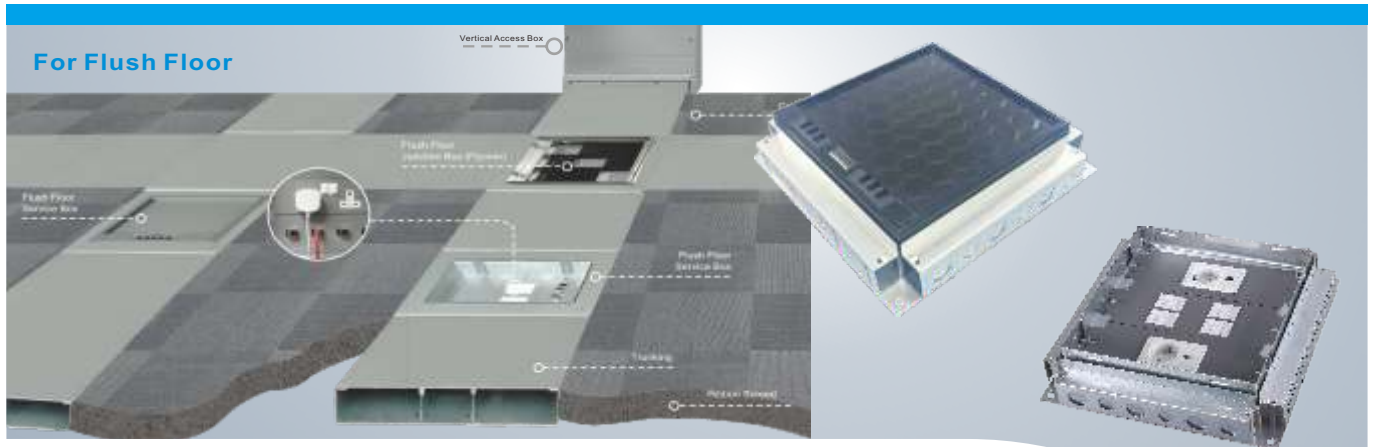


Desktop Socket

SCF Series Floor Socket

Switch

Accessories



# SCF-F01

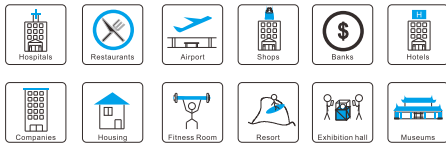
SCF Series: Raised/Concrete /Trunking system floor box

## Features:

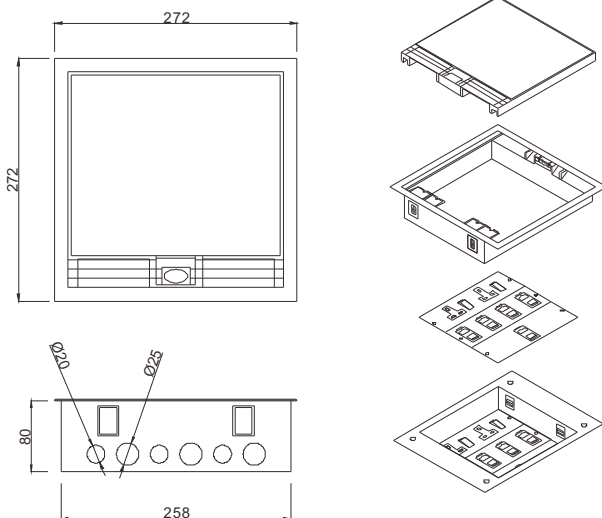
1. Applicable:raised floor/trunking system/concrete floor flushing mounting
2. Frame and lid:from ABS ,Static pressure>1000N.
3. Bottom box:from galvonisea steel
4. cavity depth:over8~10mm
5. International receptacle and data BS standard
6. clamp fixing of 86/146 twins switch socket or 45×45mm

## Technical Parameters :

Parameter	Description
Floor Cut Out	254x254mm
Floor Box Depth	76mm
Plug Top Clearance	20mm
Overall Frame & Lid	320x320mm
Frame Lid Recess	8-10mm
Accessories Plates	250x77mm

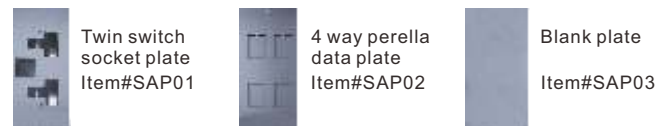


## Outline Drawing:

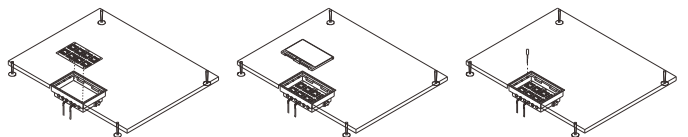


(Image is for reference only.)

Package:6 Pcs inner box into a master carton.Poly bag with box packing.



## Installation Guide





Desktop Socket

SCF Series Floor Socket

Switch

Accessories

# HTD-610S

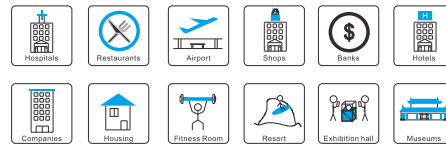
SCF Series: Raised/Concrete /Trunking system floor box

## Features:

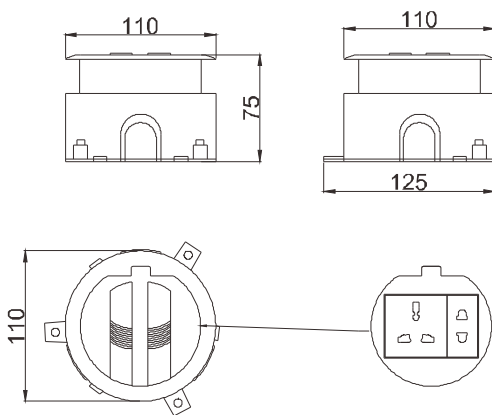
1. Depth adjustable: from 81mm adjustable up to 101mm;
2. Fit 3 modules (22.5\*45mm) as power socket, USB charger, data, switch;
3. The degree between modules and base box be rotate over 20 degree;

## Technical Parameters :

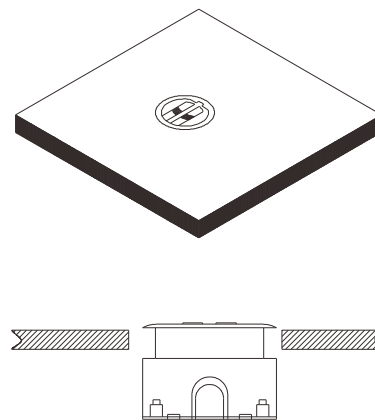
Parameter	Description
Panel Material	Plastic
Panel Dimension(mm)	Ø110
Base box Ga-Steel box body	Ø125
Capacity of modules	3 ways modules
IP Rating	IP Rated 40 Closed and IP30 open
Available modules	45*45mm Type series



## Outline Drawing: Unit:mm



## Installation Guide



(Image is for reference only.)

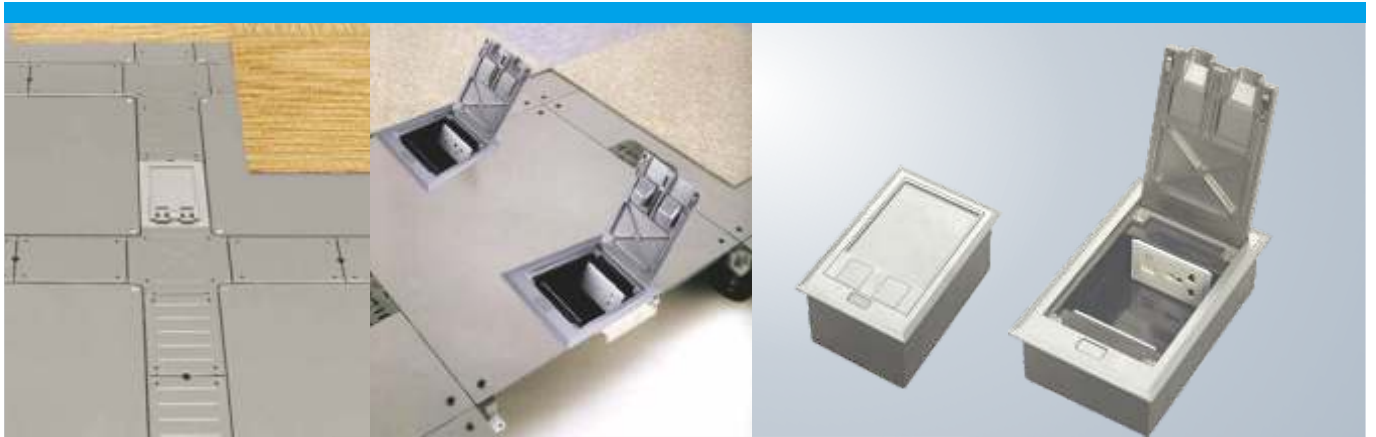
Package: 18 Pcs inner box into a master carton. Poly bag with box packing.

Desktop Socket

SCF Series Floor Socket

Switch

Accessories



# HTD-302AL

SCF Series: Raised/Concrete /Trunking system floor box

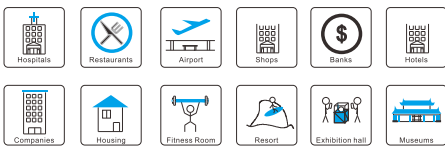
## Features:

- 1.Flush mounting or under floor with floor system.
- 2.Applicable for concrete floor/raised floor.
- 3.Protection of 4\*hidden cable exit.
4. More plug top clearance:side-mounting installation of socket or data outlet.

## Technical Parameters :

Parameter	Description
Panel Material	Aluminum alloy(6061)
Panel Dimension(mm)	210*140
Cutout(mm)	190x120
Capacity of modules	6 ways modules

- Brass  Alu alloy  Stainless



Concrete Floor

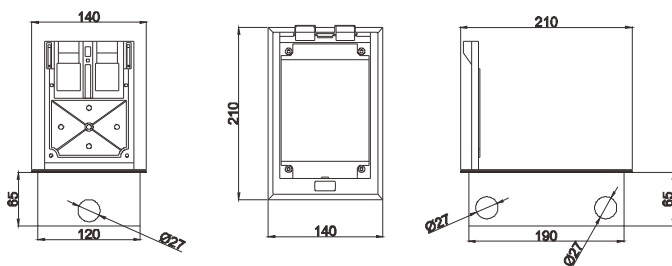


Raised Floor

## Installation Guide

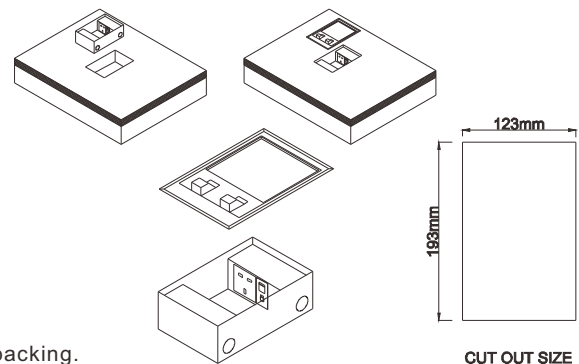
- 1.Remove the panel from the bottom box along with the electrical modules.
- 2.Fix the flooring with spare screws on the bottom box and place it in the embedded hole.
- 3.The flooring surface shall be at least level with the ground or 20mm below the ground.
- 4.Remove flooring surface ,Insert the 10--12mm lead head into the terminal of floor box.
- 5.Fix the panel to the bottom box with screws.

## Outline Drawing: Unit:mm



(Image is for reference only.)

Package: 10 Pcs inner box into a master carton.Poly bag with box packing.



CUT OUT SIZE



Desktop Socket

SCF Series Floor Socket

Switch

Accessories

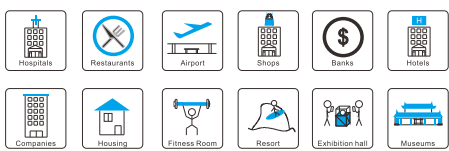
# SLB-86 SCF Series: Raised/Trunking system floor box

## Features:

1. Applicable: flushing mounting raised floor/trunking system.
2. Bottom box: from galvanized steel
3. height of bottom box : over 50mm
4. Screw fixing Compartment or modules : International BS standard 1363 switch socket or 45\*45mm receptacle and data .

## Technical Parameters :

Parameter	Description
Material	Galvanized steel
Dimension	272*181*47mm
Installation depth	47mm
Available receptacle	146/86/45*45mm



## Outline Drawing:

