

Pop-up Floor Socket

Full-range Optional



IP55,IP44,IP22 level



3 way/4way/6 way Capacity



Brass/Stainless/Aluminum Surface, Golden Color/ Silver Color



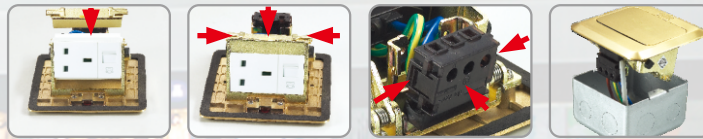
Square/Round Shape



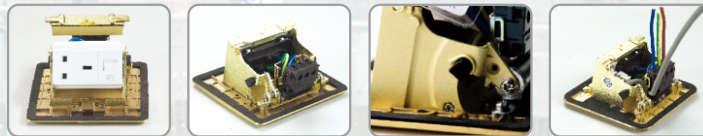


Feature

>> Easy Install



>> Easy Wiring



>> Patent Damping Device



Soft Pop-up
Code:ZN



Pop-up
Slowly



More
Safety



10 times
the floor socket equipped with soft
starting device, the opening speed
of which is 20 times slower than
regular products. state for opening:
uniform speed, slow.

>> Heavy Material Box



>> Ultrathin Lid



Floor Socket

Desktop Socket

Switch

Accessories



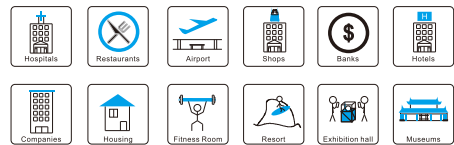
FD-777

Features:

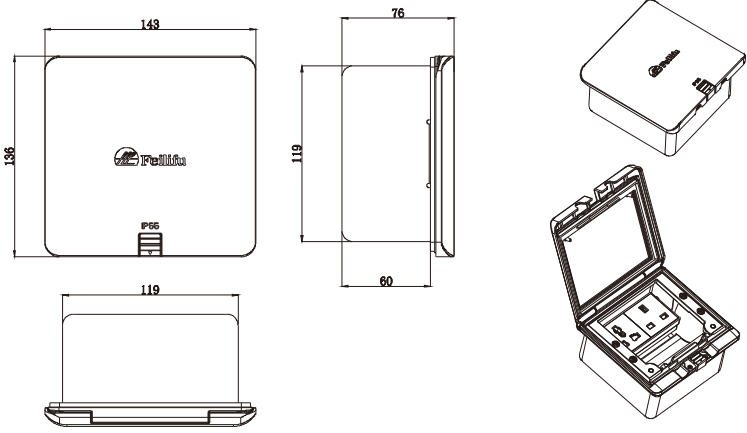
- 1.Nice appearance and safety design for floor management: Super quality Ultrathin plate with most options of surface color to decorate the upscale starred hotels, villas, first class residential apartments.
- 2.Protect stumbling: Flush mounting on floor and protect children stumbling comparing with other pop up floor socket.
- 3.IP55 protection:Connection cable and power supply with cover plate to ensure IP55 protection level.
- 4.Rotating modules mechanism: Provide more contact depth of insert plug/connector as modules rotating over 45 degree. Furthermore, this rotating modules mechanism will enhance lifetime of modules as keep stabilization of modules frame.
- 5.More strong scratch resistance: Static pressure over 1000N.
- 6.Protection of cable exit: Soft silica pad seal will protect cable exit from scratching from cover plate of floor boxes.

Technical Parameters :

Parameter	Description
Application	Residential ,Industrial or public
Panel Material	Brass alloy/stainless steel etc
Color	Golden, sliver, black, red, etc.
Available modules	Type 45*45mm series
Panel Dimension(mm)	143*136
Cutout(mm)	120x120
Capacity of modules /Interface size	4 ways modules
Sink box Thickness	Ga steel/1.2mm
IP Rating	IP Rated 55
Static Pressure force	Over 1000N



Outline Drawing: Unit:mm



(Image is for reference only.)

Package: 12 Pcs inner box into a master carton.Poly bag with box packing.

IP55



HTD-1L



Floor Socket

Desktop Socket

Switch

Accessories

Features:

1. Easy to install: Fast connect wire for terminal block as fast wiring connection.
2. More Strong Scratch Resistance: Surface finish made from Brass (H62) by combination of tough material, Aluminum (6061).
3. Durable socket receptacle: Using elastic phosphor copper, high conductivity, pulling and plugging over 15000 times. PC +ABS fireproof : 850 degree C temp.; Oxygen Insulation & Fire resistance in accordance with UL94 standard.
4. Long lifetime of push button: ,more than 5000 times of push button.
5. More soft and slow damping device: The damping speed of our device is 10 times slower than similar products. Our damping have been patented

Soft Pop-up
Code:ZN

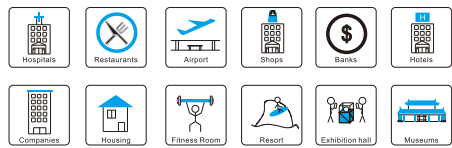
Pop-up
Slowly

More
safety

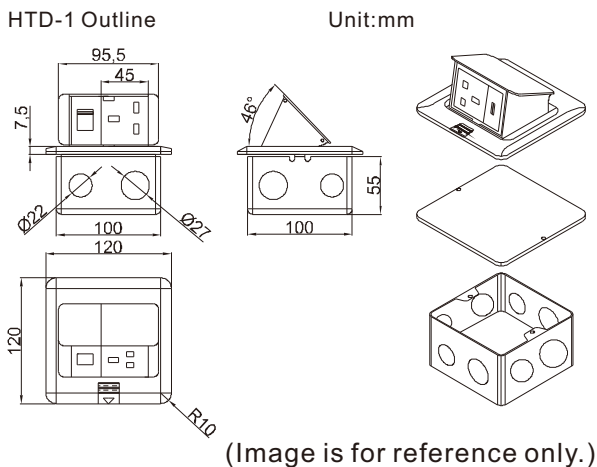
10 times
the floor socket equipped with soft
starting device, the opening speed
of which is 20 times slower than
regular products. state for opening
: uniform speed, slow.

Technical Parameters :

Parameter	Description
Panel Material	Brass alloy/Alu alloy
Surface finish	Wire drawing/Polishing/Spray painting
Panel Dimension(mm)	120*120
Cutout(mm)	103x103
Capacity of modules	3 ways modules
Bracket material	Zinc Alloy & Alu Alloy
Sink box Material	Steel+Zinc plated
Sink box Thickness:	1.2mm
Available modules:	45*45/45*22.5(mm)
Damping device (DP):	Normal Pop-up & Soft Pop-up available
N.W(kg)	0.89(Brass alloy);0.72(Alu alloy)
G.W(kg)	18.6 (Brass alloy);15.2(Alu alloy)
Carton size(cm)	44x28x27.3

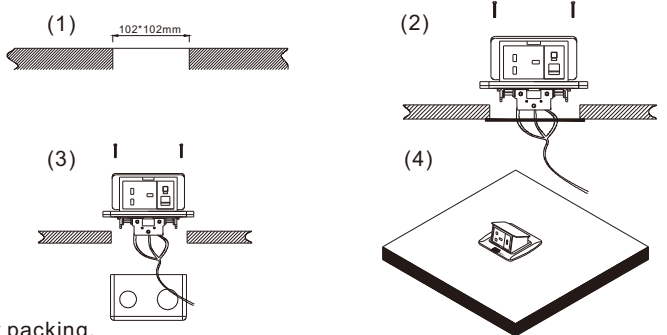


Outline Drawing:



Installation Guide

1. Cut out size : 120*120mm. Install the bottom box with panel into the specified location.
2. Screw mounting frame and panel (for desktop only).
3. Fix the panel and bottom box with screws (This item is for ground installation only).
4. Adjust the tightness of all wiring lines (no influence on opening).



Package:20 Pcs inner box into a master carton. Poly bag with box packing.

HTD-2P

Floor Socket

Desktop Socket

Switch

Accessories



HTD-2

Features:

1. Easy to install: Fast connect wire for terminal block as fast wiring connection.
2. More Strong Scratch Resistance: Surface finish made from Brass(H62)by combination of tough material, Aluminum (6061) .
3. Durable socket receptacle:Using elastic phosphor copper , high conductivity ,pulling and plugging over 15000 times. PC+ABS fireproof : 850 degree C temp.; Oxygen Insulation & Fire resistance in accordance with UL94 standard.
4. Long lifetime of push button: , more than 5000 times of push button.
5. More soft and slow damping device:The damping speed of our device is 10 times slower than similar products.Our damping have been patented



Soft Pop-up
Code:ZN



Pop-up
Slowly



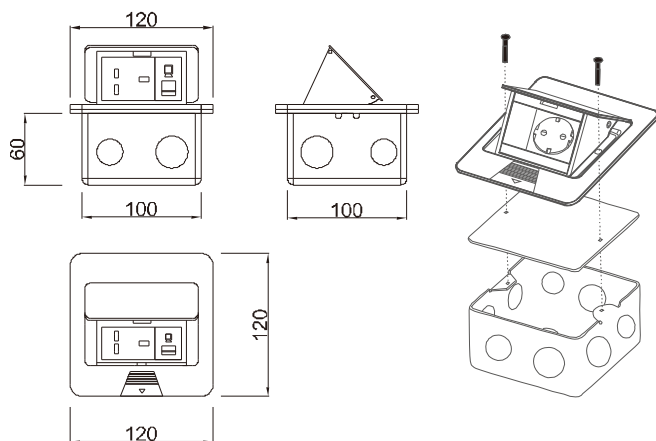
More
safety



10 times
the floor socket equipped with soft
starting device,the opening speed
of which is 20 times slower than
regular products.state for opening
:uniform speed,slow.

Outline Drawing:

Unit:mm

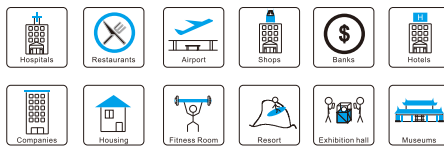


(Image is for reference only.)

Package:20 Pcs inner box into a master carton.Poly bag with box packing.

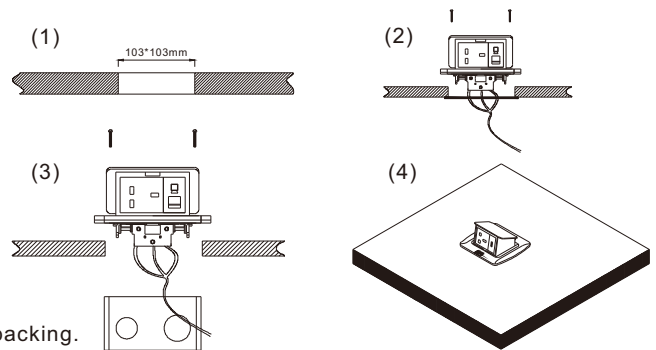
Technical Parameters :

Parameter	Description
Panel Material	Brass alloy/Alu alloy
Surface finish	Wire drawing/Polishing/Spray painting
Panel Dimension(mm)	120*120
Cutout(mm)	103*103
Capacity of modules	3 ways modules
Bracket material	Zinc Alloy & Alu Alloy
Sink box Material	Steel+Zinc plated
Sink box Thickness:	1.2mm
Available modules:	45*45mm or 45*22.5mm
Damping device (DP):	Normal Pop-up & Soft Pop-up available
N.W(kg)	21.4
G.W(kg)	22.4
Carton size(cm)	52.5*33.5*33.5



Installation Guide

- 1.Cut out size :103*103mm.Install the bottom box with panel into the specified location.
- 2.Screw mounting frame and panel(for desktop only).
- 3.Fix the panel and bottom box with screws(This item is for ground installation only).
- 4.Adjust the tightness of all wiring lines (no influence on opening).



HTD-3



HTD-3P

Floor Socket

Desktop Socket

Switch

Accessories

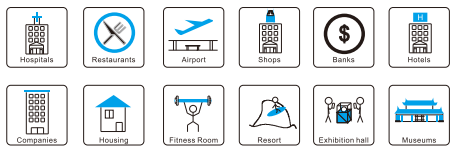
Features:

1. Easy to install: Fast connect wire for terminal block as fast wiring connection.
2. More Strong Scratch Resistance: Surface finish made from Brass by combination of tough material, Aluminum (ADC12).
3. Durable socket receptacle: Using elastic phosphor copper, high conductivity, pulling and plugging over 15000 times. PC +ABS fireproof : 850 degree C temp.; Oxygen Insulation & Fire resistance in accordance with UL94 standard.
4. Long lifetime of push button: ,more than 5000 times of push button.
5. More soft and slow damping device: The damping speed of our device is 10 times slower than similar products. Our damping have been patented
6. More heavy duty of bottom boxes: Thickness of bottom boxes body is over 1mm.

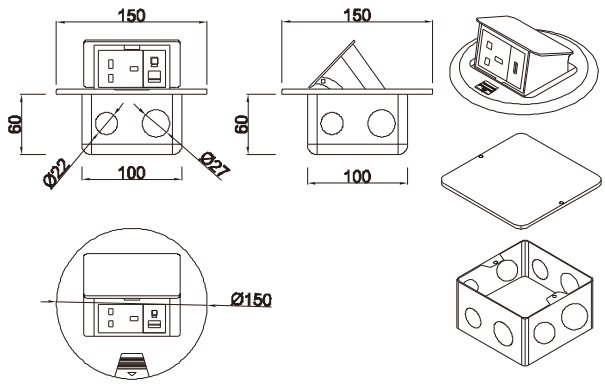
Soft Pop-up Code:ZN
 Pop-up Slowly
 More safety
 10 times the floor socket equipped with soft starting device, the opening speed of which is 20 times slower than regular products. state for opening :uniform speed,slow.

Technical Parameters :

Parameter	Description
Panel Material	Brass alloy/Alu alloy
Surface finish	Wire drawing/Polishing/Spray painting
Panel Dimension(mm)	Ø150
Cutout(mm)	103x103
Capacity of modules	3 ways modules
Bracket material	Zinc Alloy & Alu Alloy
Sink box Material	Steel+Zinc plated
Sink box Thickness:	1.2mm
Available modules:	45*45/45*22.5(mm)
Damping device (DP):	Normal Pop-up & Soft Pop-up available
N.W(kg)	20.3
G.W(kg)	21.6
Carton size(cm)	41.5*32.5*32.5



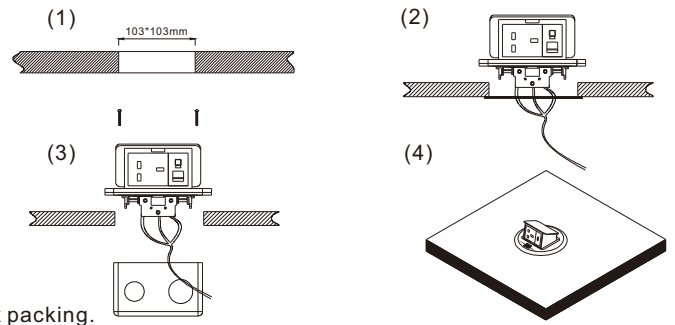
Outline Drawing: Unit:mm



(Image is for reference only.)

Installation Guide

1. Cut out size : 120*120mm. Install the bottom box with panel into the specified location.
2. Screw mounting frame and panel (for desktop only).
3. Fix the panel and bottom box with screws (This item is for ground installation only).
4. Adjust the tightness of all wiring lines (no influence on opening).



Package: 18 Pcs inner box into a master carton. Poly bag with box packing.

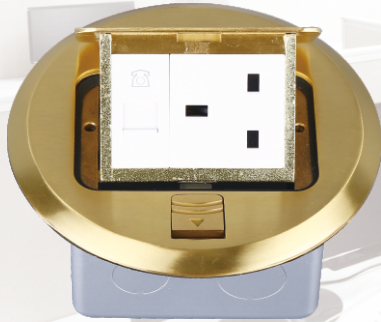
HTD-7

Floor Socket

Desktop Socket

Switch

Accessories



HTD-7L

Features:

1. Easy to install: Fast connect wire for terminal block as fast wiring connection.
2. More Strong Scratch Resistance: Surface finish made from Brass (H62) by combination of tough material, Aluminum (6061).
3. Durable socket receptacle: Using elastic phosphor copper, high conductivity, pulling and plugging over 15000 times. PC +ABS fireproof: 850 degree C temp.; Oxygen Insulation & Fire resistance in accordance with UL94 standard.
4. Long lifetime of push button: more than 5000 times of push button.
5. More soft and slow damping device: The damping speed of our device is 10 times slower than similar products. Our damping have been patented
6. More heavy duty of bottom boxes: Thickness of bottom boxes body is over 1mm.



Soft Pop-up
Code:ZN



Pop-up
Slowly



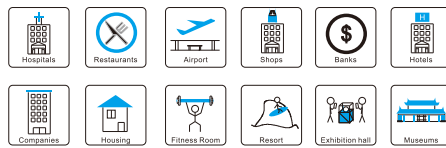
More
safety



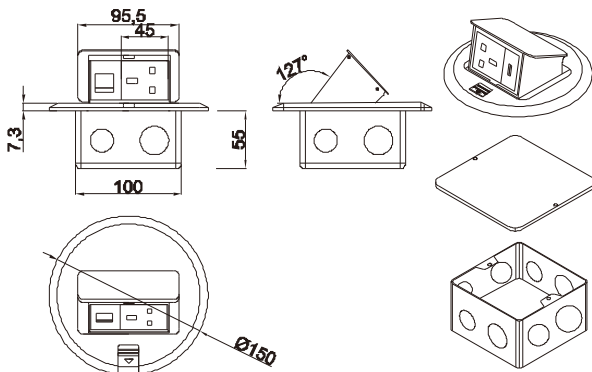
10 times
the floor socket equipped with soft starting device, the opening speed of which is 10 times slower than regular products. state for opening: uniform speed, slow.

Technical Parameters :

Parameter	Description
Panel Material	Brass alloy/Alu alloy
Surface finish	Wire drawing/Polishing/Spray painting
Panel Dimension(mm)	Ø150
Cutout(mm)	103x103
Capacity of modules	3 ways modules
Bracket material	Zinc Alloy & Alu Alloy
Sink box Material	Steel+Zinc plated
Sink box Thickness:	1.2mm
Available modules:	45*45/45*22.5(mm)
Damping device (DP):	Normal Pop-up & Soft Pop-up available
N.W(kg)	1.00(Brass alloy); 0.76(Alu alloy)
G.W(kg)	20.8 (Brass alloy); 16.0(Alu alloy)
Carton size(cm)	41.5x27x27



Outline Drawing: Unit:mm

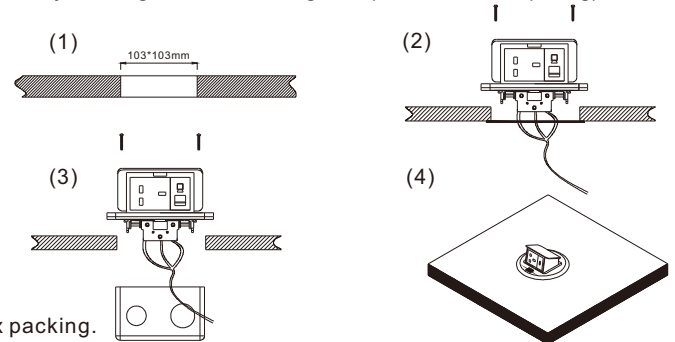


(Image is for reference only.)

Package: 18 Pcs inner box into a master carton. Poly bag with box packing.

Installation Guide

1. Cut out size : 120*120mm. Install the bottom box with panel into the specified location.
2. Screw mounting frame and panel (for desktop only).
3. Fix the panel and bottom box with screws (This item is for ground installation only).
4. Adjust the tightness of all wiring lines (no influence on opening).



HTD-16L



Floor Socket

Desktop Socket

Switch

Accessories

Features:

1. Easy to install: Fast connect wire for terminal block as fast wiring connection.
2. More Strong Scratch Resistance: Surface finish made from Brass (h62) by combination of tough material, Aluminum (6061).
3. Durable socket receptacle: Using elastic phosphor copper, high conductivity, pulling and plugging over 15000 times. PC +ABS fireproof: 850 degree C temp.; Oxygen Insulation & Fire resistance in accordance with UL94 standard.
4. Long lifetime of push button: more than 5000 times of push button.
5. More soft and slow damping device: The damping speed of our device is 10 times slower than similar products. Our damping have been patented
6. More heavy duty of bottom boxes: Thickness of bottom boxes body is over 1mm.



Soft Pop-up
Code:ZN



Pop-up
Slowly



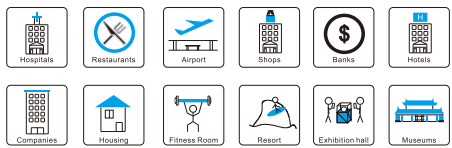
More
safety



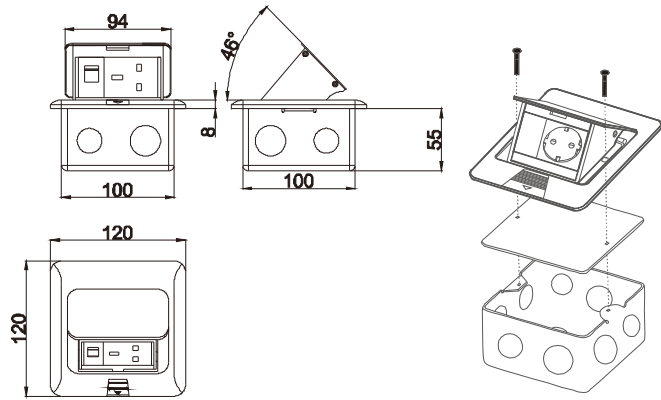
10 times
the floor socket equipped with soft starting device, the opening speed of which is 20 times slower than regular products. state for opening: uniform speed, slow.

Technical Parameters :

Parameter	Description
Panel Material	Brass alloy/Alu alloy
Surface finish	Wire drawing/Polishing/Spray painting
Panel Dimension(mm)	120*120
Cutout(mm)	103x103
Capacity of modules	3 ways modules
Bracket material	Zinc Alloy & Alu Alloy
Sink box Material	Steel+Zinc plated
Sink box Thickness:	1.2mm
Available modules:	45*45/45*22.5(mm)
Damping device (DP):	Normal Pop-up & Soft Pop-up available
N.W(kg)	1.00 (Brass alloy);0.76(Alu alloy)
G.W(kg)	20.8(Brass alloy);15.8(Alu alloy)
Carton size(cm)	41.5x27x27



Outline Drawing: Unit:mm

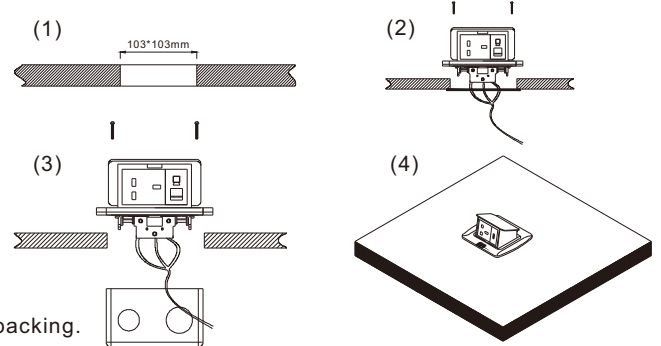


(Image is for reference only.)

Package:20 Pcs inner box into a master carton.Poly bag with box packing.

Installation Guide

1. Cut out size: 103*103mm. Install the bottom box with panel into the specified location.
2. Screw mounting frame and panel (for desktop only).
3. Fix the panel and bottom box with screws (This item is for ground installation only).
4. Adjust the tightness of all wiring lines (no influence on opening).



HTD-18

Floor Socket

Desktop Socket

Switch

Accessories



HTD-18L

Features:

1. Easy to install: Fast connect wire for terminal block as fast wiring connection.
2. More Strong Scratch Resistance: Surface finish made from Brass(H62) by combination of tough material, Aluminum (6061).
3. Durable socket receptacle: Using elastic phosphor copper, high conductivity, pulling and plugging over 15000 times. PC +ABS fireproof: 850 degree C temp.; Oxygen Insulation & Fire resistance in accordance with UL94 standard.
4. Long lifetime of push button: more than 5000 times of push button.
5. More soft and slow damping device: The damping speed of our device is 10 times slower than similar products. Our damping have been patented
6. More heavy duty of bottom boxes: Thickness of bottom boxes body is over 1mm.



Soft Pop-up
Code:ZN



Pop-up
Slowly

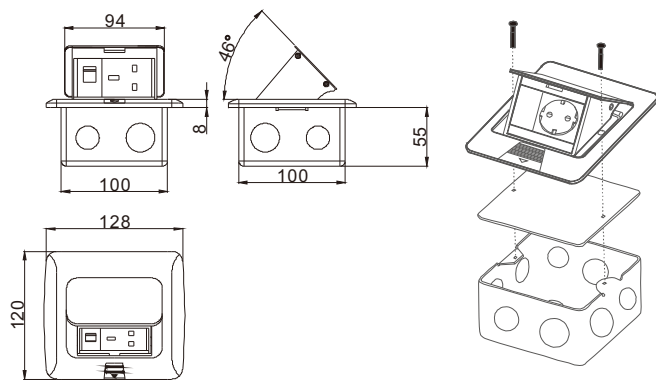


More
safety



10 times
the floor
socket equipped with soft
starting device, the opening
speed of which is 20 times
slower than regular
products. state for opening
:uniform speed, slow.

Outline Drawing: Unit:mm

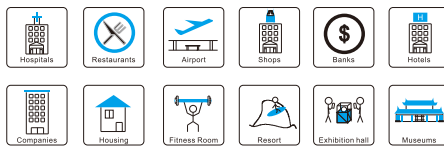


(Image is for reference only.)

Package:20 Pcs inner box into a master carton.Poly bag with box packing.

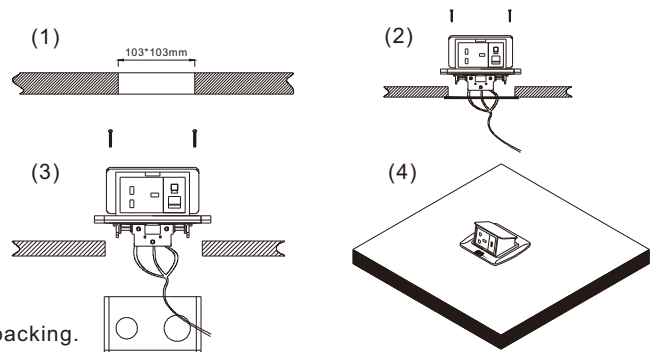
Technical Parameters :

Parameter	Description
Panel Material	Brass alloy/Alu alloy
Surface finish	Wire drawing/Polishing/Spray painting
Panel Dimension(mm)	128*120
Cutout(mm)	103*103
Capacity of modules	3 ways modules
Bracket material	Zinc Alloy & Alu Alloy
Sink box Material	Steel+Zinc plated
Sink box Thickness:	1.2mm
Available modules:	45*45/45*22.5(mm)
Damping device (DP):	Normal Pop-up & Soft Pop-up available
N.W(kg)	1.00 (Brass alloy);0.76(Alu alloy)
G.W(kg)	20.8 (Brass alloy);15.8(Alu alloy)
Carton size(cm)	41.5x27x27



Installation Guide

1. Cut out size: 103*103mm. Install the bottom box with panel into the specified location.
2. Screw mounting frame and panel (for desktop only).
3. Fix the panel and bottom box with screws (This item is for ground installation only).
4. Adjust the tightness of all wiring lines (no influence on opening).



HTD-26



Floor Socket

Desktop Socket

Switch

Accessories

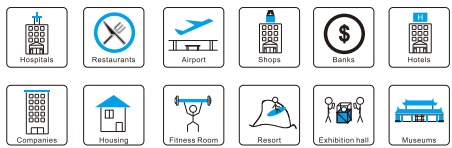
Features:

1. Easy to install: Fast connect wire for terminal block as fast wiring connection.
2. More Strong Scratch Resistance: Surface finish made from Brass(H62) by combination of tough material, Aluminum (6061).
3. Durable socket receptacle: Using elastic phosphor copper, high conductivity, pulling and plugging over 15000 times. PC +ABS fireproof: 850 degree C temp.; Oxygen Insulation & Fire resistance in accordance with UL94 standard.
4. Long lifetime of push button: more than 5000 times of push button.
5. More soft and slow damping device: The damping speed of our device is 10 times slower than similar products. Our damping have been patented
7. More heavy duty of bottom boxes: Thickness of bottom boxes body is over 1mm.

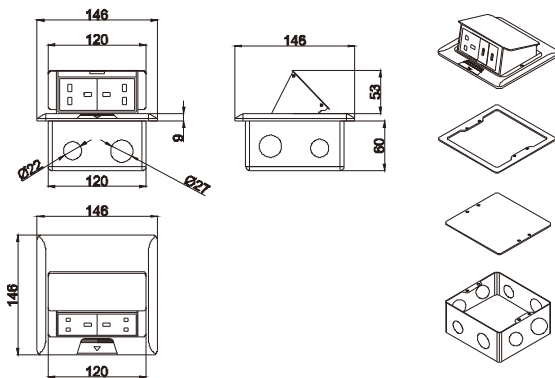
Technical Parameters :

Parameter	Description
Panel Material	Brass alloy/Alu alloy
Surface finish	Wire drawing/Polishing/Spray painting
Panel Dimension(mm)	146*146
Cutout(mm)	123*123
Capacity of modules	4 ways modules
Bracket material	Zinc Alloy & Alu Alloy
Sink box Material	Steel+Zinc plated
Sink box Thickness:	1.2mm
Available modules:	45*45mm or 45*22.5mm
Damping device (DP):	Normal Pop-up & Soft Pop-up available
N.W(kg)	1.50 (Brass alloy);1.20(Alu alloy)
G.W(kg)	18.6 (Brass alloy);14.6(Alu alloy)
Carton size(cm)	49x32x22

Soft Pop-up Code:ZN
 Pop-up Slowly
 More safety
 10 times the floor socket equipped with soft starting device, the opening speed of which is 20 times slower than regular products. state for opening: uniform speed, slow.



Outline Drawing: Unit:mm

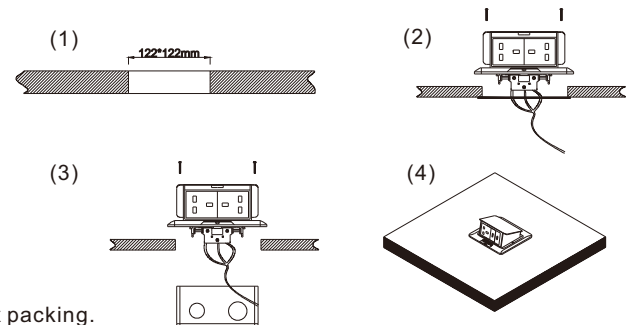


(Image is for reference only.)

Package: 12 Pcs inner box into a master carton. Poly bag with box packing.

Installation Guide

1. Cut out size : 123*123mm. Install the bottom box with panel into the specified location.
2. Screw mounting frame and panel (for desktop only).
3. Fix the panel and bottom box with screws (This item is for ground installation only).
4. Adjust the tightness of all wiring lines (no influence on opening).



HTD-28

Floor Socket

Desktop Socket

Switch

Accessories



HTD-28L

Features:

1. Easy to install: Fast connect wire for terminal block as fast wiring connection.
2. More Strong Scratch Resistance: Surface finish made from Brass by combination of tough material, Aluminum (ADC12).
3. Durable socket receptacle: Using elastic phosphor copper, high conductivity, pulling and plugging over 15000 times. PC +ABS fireproof : 850 degree C temp.; Oxygen Insulation & Fire resistance in accordance with UL94 standard.
4. Long lifetime of push button: more than 5000 times of push button.
5. More soft and slow damping device: The damping speed of our device is 10 times slower than similar products. Our damping have been patented
6. More heavy duty of bottom boxes: Thickness of bottom boxes body is over 1mm.



Soft Pop-up
Code:ZN



Pop-up
Slowly

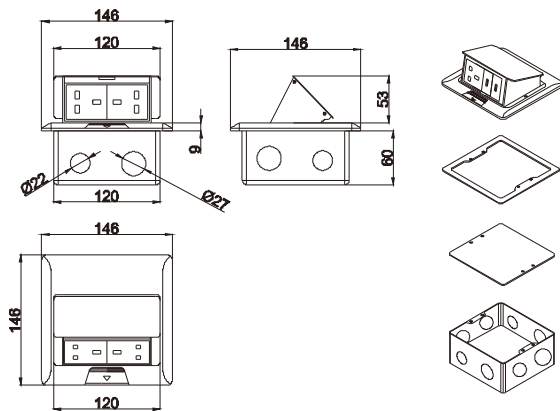


More
safety



10 times
the floor socket equipped with soft
starting device, the opening speed
of which is 20 times slower than
regular products. state for opening
:uniform speed, slow.

Outline Drawing: Unit:mm

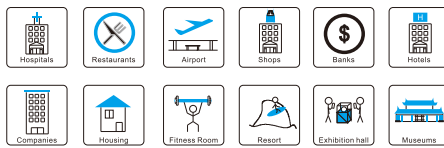


(Image is for reference only.)

Package: 12 Pcs inner box into a master carton. Poly bag with box packing.

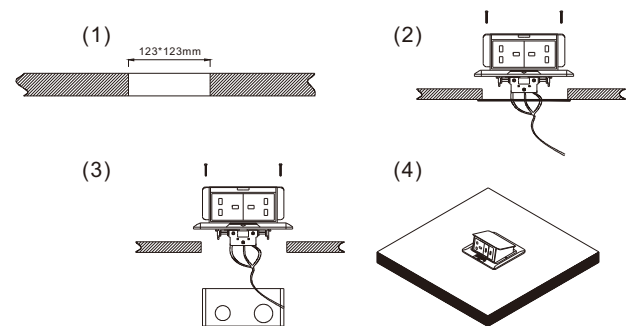
Technical Parameters :

Parameter	Description
Panel Material	Brass alloy/Alu alloy
Surface finish	Wire drawing/Polishing/Spray painting
Panel Dimension(mm)	154*146
Cutout(mm)	123x123
Capacity of modules	4 ways modules
Bracket material	Zinc Alloy & Alu Alloy
Sink box Material	Steel+Zinc plated
Sink box Thickness:	1.2mm
Available modules:	45*45/45*22.5(mm)
Damping device (DP):	Normal Pop-up & Soft Pop-up available
N.W(kg)	1.50 (Brass alloy);1.20(Alu alloy)
G.W(kg)	18.6 (Brass alloy);14.6(Alu alloy)
Carton size(cm)	49x32x22

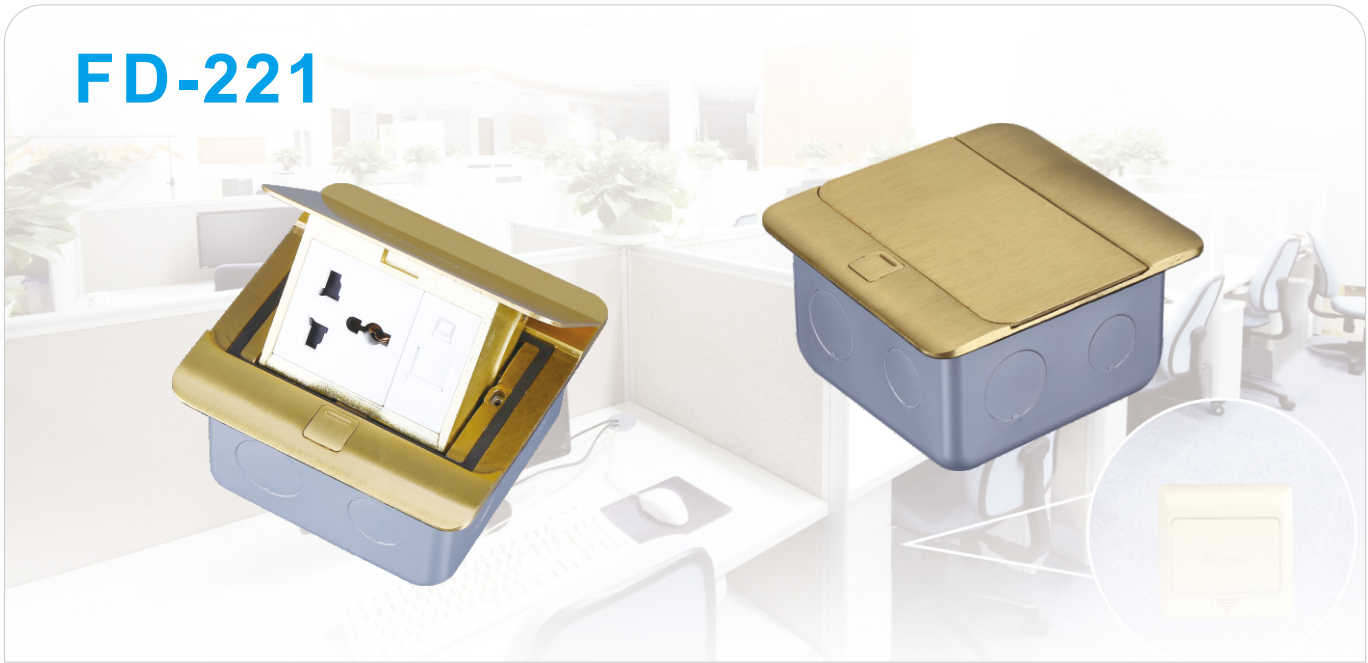


Installation Guide

1. Cut out size: 123*123mm. Install the bottom box with panel into the specified location.
2. Screw mounting frame and panel (for desktop only).
3. Fix the panel and bottom box with screws (This item is for ground installation only).
4. Adjust the tightness of all wiring lines (no influence on opening).



FD-221



Floor Socket

Desktop Socket

Switch

Accessories

Features:

1. Easy to install: Fast connect wire for terminal block as fast wiring connection.
2. More Strong Scratch Resistance: Surface finish made from Brass by combination of tough material, Aluminum (ADC12).
3. Durable socket receptacle: Using elastic phosphor copper, high conductivity, pulling and plugging over 15000 times. PC+ABS fireproof: 850 degree C temp.; Oxygen Insulation & Fire resistance in accordance with UL94 standard.
4. Long lifetime of push button: more than 5000 times of push button.
5. More soft and slow damping device: The damping speed of our device is 10 times slower than similar products. Our damping have been patented
7. More heavy duty of bottom boxes: Thickness of bottom boxes body is over 1mm.

Technical Parameters :

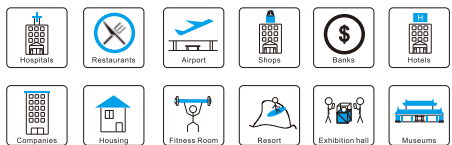
Parameter	Description
Panel Material	Brass alloy
Surface finish	Wire drawing/Polishing/Spray painting
Panel Dimension(mm)	120*120
Cutout(mm)	103x103
Capacity of modules /Interface size	3 ways modules
Bracket material	Zinc Alloy & Alu Alloy
Sink box Material	Steel+Zinc plated
Sink box Thickness:	1.2mm
Available modules:	45*45mm or 45*22.5mm
Damping device (DP):	Normal Pop-up & Soft Pop-up available

Soft Pop-up
Code:ZN

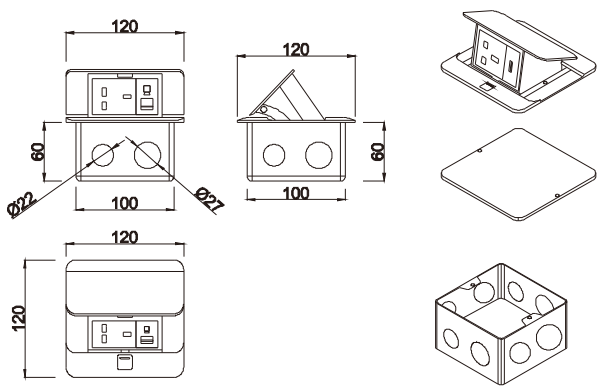
Pop-up
Slowly

More
safety

10 times
the floor socket equipped with soft
starting device, the opening speed
of which is 20 times slower than
regular products, state for opening
: uniform speed, slow.



Outline Drawing: Unit:mm

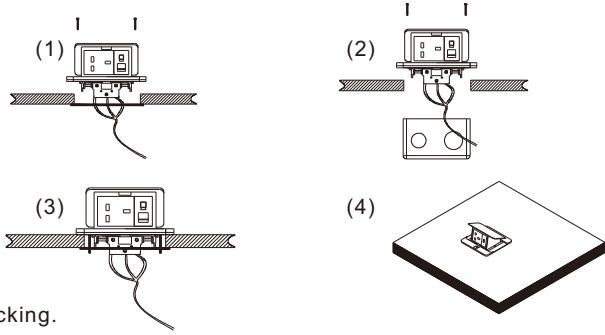


(Image is for reference only.)

Package: 20 Pcs inner box into a master carton. Poly bag with box packing.

Installation Guide

1. Swing out from its floor mounted frame thru a spring attached finger level. Outlet bracket is attached to its pop up cover.
2. Remove panel from the bottom box along with the electrical modules.
3. Remove lid surface, Insert the 10--12mm lead head into the terminal of floor box.
4. Fix the flooring with spare screws on bottom box and place it in embedded hole



HTD-1602

Floor Socket

Desktop Socket

Switch

Accessories



HTD-1602L

Features:

1. Easy to install: Fast connect wire for terminal block as fast wiring connection.
2. More Strong Scratch Resistance: Surface finish made from Brass by combination of tough material, Aluminum (ADC12).
3. Durable socket receptacle: Using elastic phosphor copper, high conductivity, pulling and plugging over 15000 times. PC+ABS fireproof: 850 degree C temp.; Oxygen Insulation & Fire resistance in accordance with UL94 standard.
4. Long lifetime of push button: more than 5000 times of push button.
5. More soft and slow damping device: The damping speed of our device is 10 times slower than similar products. Our damping have been patented
6. More heavy duty of bottom boxes: Thickness of bottom boxes body is over 1mm.



Soft Pop-up
Code:ZN



Pop-up
Slowly

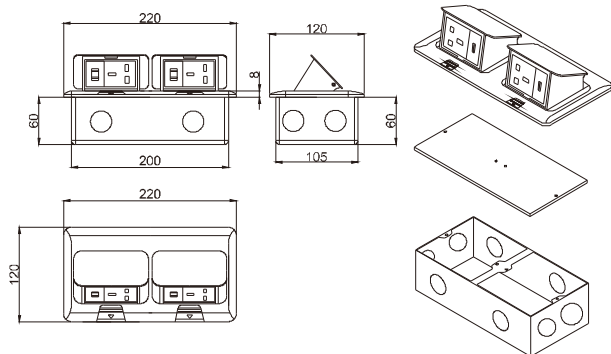


More
safety



10 times the floor socket equipped with soft starting device, the opening speed of which is 20 times slower than regular products, state for opening: uniform speed, slow.

Outline Drawing: Unit:mm

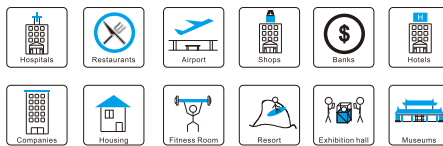


(Image is for reference only.)

Package: 12 Pcs inner box into a master carton. Poly bag with box packing.

Technical Parameters :

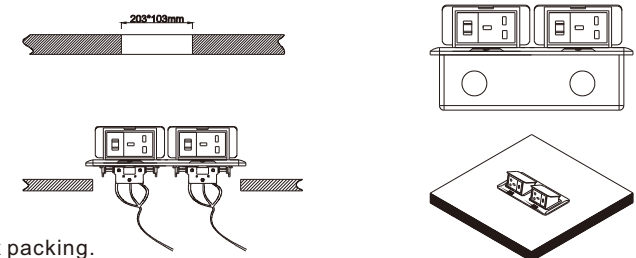
Parameter	Description
Panel Material	Brass alloy/Alu alloy
Surface finish	Wire drawing/Polishing/Spray painting
Panel Dimension(mm)	220*120
Cutout(mm)	203*108
Capacity of modules	6 ways modules
Bracket material	Zinc Alloy & Alu Alloy
Sink box Material	Steel+Zinc plated
Sink box Thickness:	1.2mm
Available modules:	45*45mm or 45*22.5mm
Damping device (DP):	Normal Pop-up & Soft Pop-up available
N.W(kg)	2.20 (Brass alloy);1.70(Alu alloy)
G.W(kg)	22.4 (Brass alloy);17.8(Alu alloy)
Carton size(cm)	42.5x24x27



Installation Guide

Hold the lid down with your hand, Pull the push button as the direction, Panel popup

1. Remove panel from the bottom box along with the electrical modules.
2. Fix the flooring with spare screws on bottom box and place it in embedded hole.
3. The flooring surface shall be at least level with the ground or 20mm below the ground.
4. Remove lid surface, Insert the 10--12mm lead head into the terminal of floor box.
5. Fix the panel to the bottom box with screws.





HTD-8

HTD-8P

Floor Socket

Desktop Socket

Switch

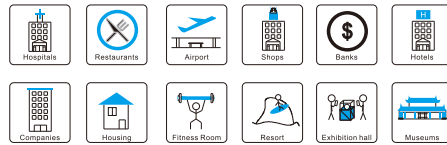
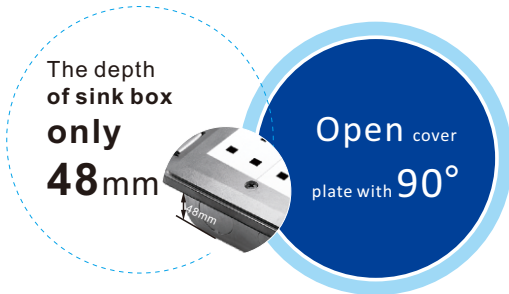
Accessories

Features:

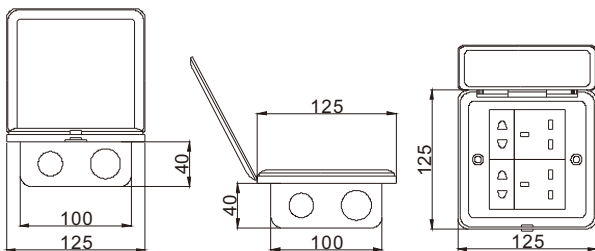
- 1.Compact,sleek & aesthetically designed units ideal for smaller outlet spaces.
- 2.Suitable for wall, table or floor mounting.
- 3.Surface seamless design and tight cover, preventing the dust and impurities entering into.
- 4.Made from high quality rust proof stainless steel or copper.
- 5.User friendly spring loaded lid.
- 6.Can be customized as per requirement.

Technical Parameters :

Parameter	Description
Panel Material	Brass alloy/Alu alloy
Surface finish	Wire drawing/Polishing/Spray painting
Panel Dimension(mm)	125*125
Cutout(mm)	103x103
Base case size	100mm x 100mm x 48mm (L.W.H)
Capacity of modules /Interface size	6 ways modules
Bracket material	Zinc Alloy & Alu Alloy
Sink box Material	Steel+Zinc plated
Sink box Thickness	Ga steel/1.2mm
Available modules	45*45/22.5*45(mm)

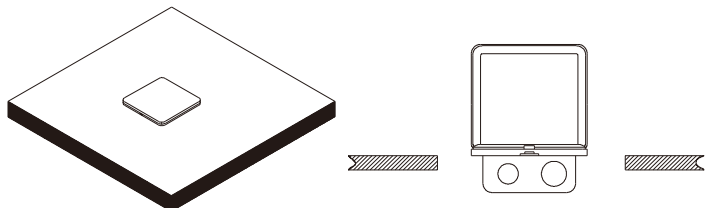


Outline Drawing: Unit:mm



Installation Guide

- 1.Remove the panel from the bottom box along with the electrical modules.
- 2.Fix the flooring with spare screws on the bottom box and place it in the embedded hole.
- 3.The flooring surface shall be at least level with the ground or 20mm below the ground.
- 4.Remove flooring surface ,Insert the 10--12mm lead head into the terminal of floor box.
- 5.Fix the panel to the bottom box with screws.



(Image is for reference only.)

Package:20 Pcs inner box into a master carton.Poly bag with box packing.