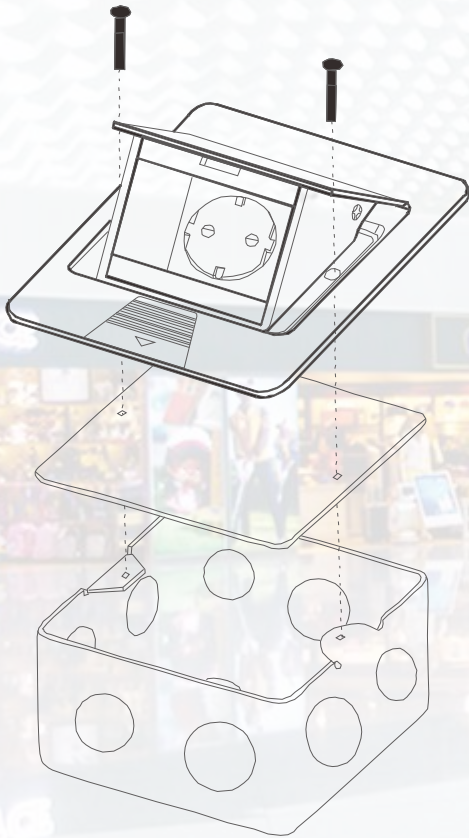


Service Outlet Box

Full-range Optional



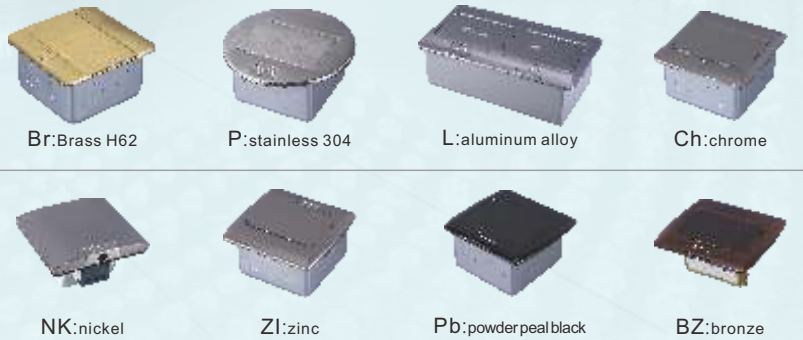
IP44,IP22 level



3 way/4way/6 way Capacity



Color Sample(Remark:or refer to RAL or Pantone)



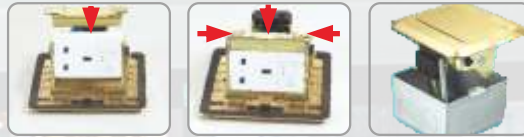
Square/Round Shape





Feature

>> Easy-Install



>> Fast-Wiring



>> Patent Damping Device



Soft Pop-up
Code:ZN



Pop-up
Slowly



More
Safety



10 times the floor socket equipped with soft starting device, the opening speed of which is 10 times slower than regular products. state for opening: uniform speed, slow.

>> Heavy Material Box

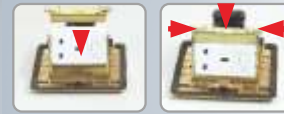


>> Ultrathin Lid

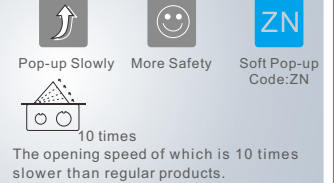




1. Easy-Installation



3. Safety Damping Device



2. Fast-Wiring



4. Heavy Material Box



Desktop Socket

SOB Series Floor Socket

Switch

Accessories

FD-221 SOB Series: Service Outlet Box

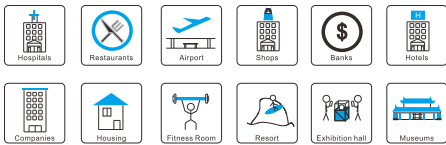
Features:

1. Ultrathin plate: < 5mm..
2. Reliable press button: >5000 times.
3. Fast-wiring: more terminal block for 1~2.5m² rigid wire or 0.5~6m² prepared flexible wire.

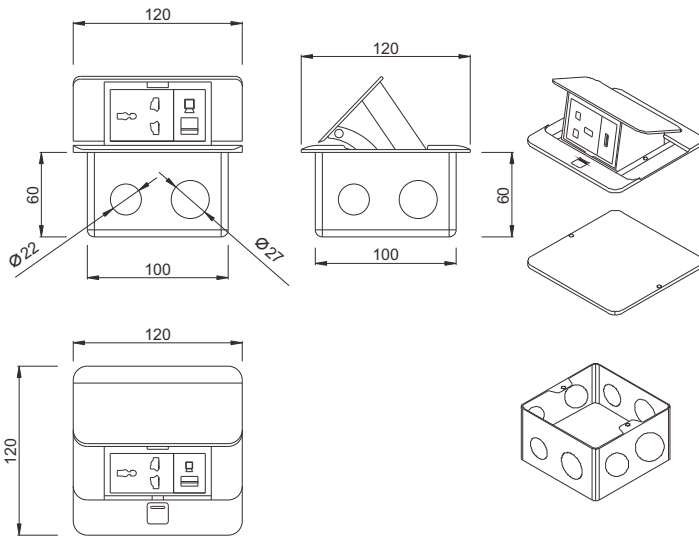
Technical Parameters :

Parameter	Description
Panel Material	Brass alloy(H62)
Panel Dimension(mm)	120*120
Cutout(mm)	105x105
Capacity of modules	3 ways modules
Sink box Thickness	1.2mm

Brass
 Alu alloy
 Stainless



Outline Drawing: Unit:mm

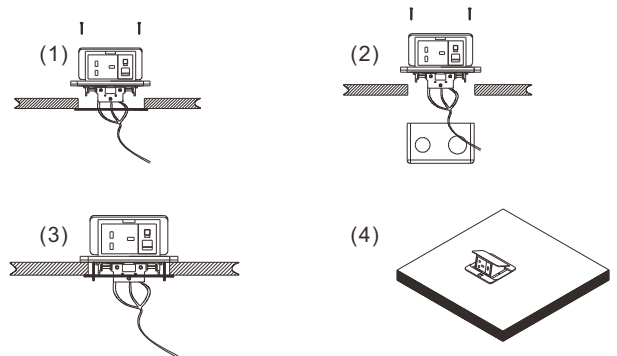


(Image is for reference only.)

Package: 20 Pcs inner box into a master carton. Poly bag with box packing.

Installation Guide

1. Swing out from its floor mounted frame thru a spring attached finger level. Outlet bracket is attached to its pop up cover .
2. Remove panel from the bottom box along with the electrical modules.
3. Remove lid surface , Insert the 10--12mm lead head into the terminal of floor box.
4. Fix the flooring with spare screws on bottom box and place it in embedded hole



Desktop Socket

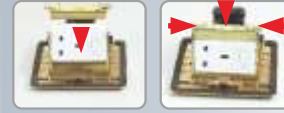
SOB Series Floor Socket

Switch

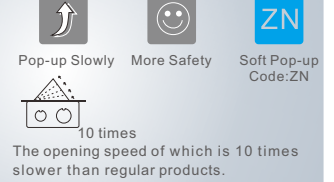
Accessories



1.Easy-Installation



3.Safety Damping Device



2.Fast-Wiring



4.Heavy Material Box



HTD-1/1L

 SOB Series: Service Outlet Box

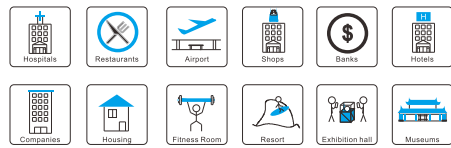
Features:

- 1.Fast-wiring: more terminal block for 1~2.5m² rigid wire or 0.5~6m² prepared flexible wire.
- 2.Easy-Installation: Patented technology of clip flush mounting frame of modules replacement. Save labor cost.
- 3.Reliable push button: >5000 times.

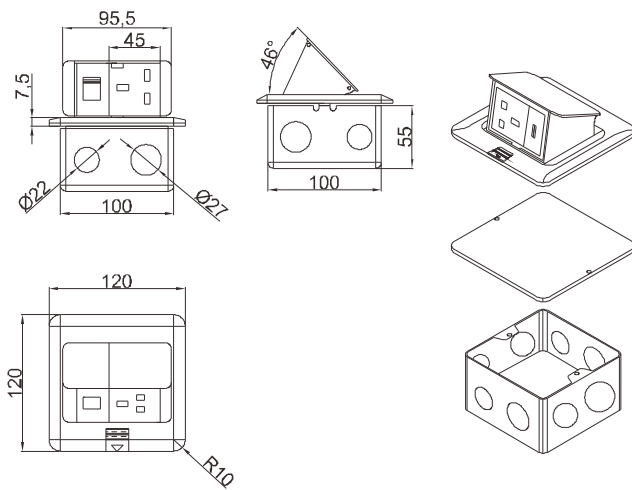
Technical Parameters :

Parameter	Description
Panel Material	Brass alloy(H62)/Alu alloy(6061)
Panel Dimension(mm)	120*120
Cutout(mm)	105x105
Capacity of modules	3 ways modules
Sink box Thickness	1.2mm

Brass
 Alu alloy
 Stainless



Outline Drawing: Unit:mm

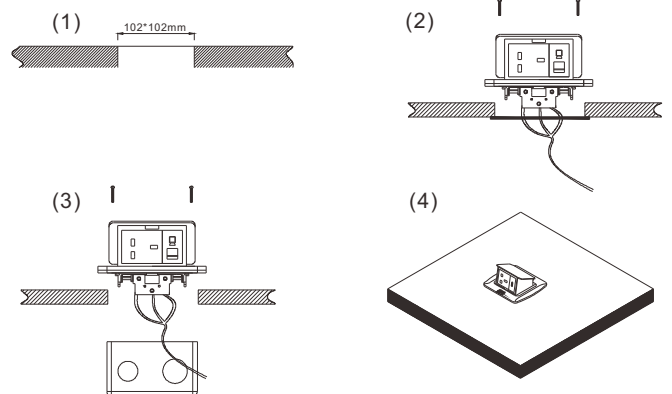


(Image is for reference only.)

Package:20 Pcs inner box into a master carton.Poly bag with box packing.

Installation Guide

- 1.Cut out size : 120*120mm.Install the bottom box with panel into the specified location.
- 2.Screw mounting frame and panel(for desktop only).
- 3.Fix the panel and bottom box with screws(This item is for ground installation only).
- 4.ADjust the tightness of all wiring lines (no influence on opening).





Desktop Socket

SOB Series Floor Socket

Switch

Accessories

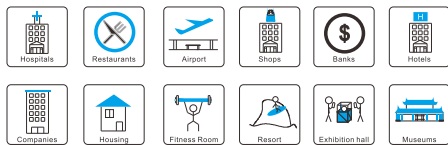
HTD-2/HTD-2P SOB Series: Service Outlet Box

Features:

- 1.Fast-wiring: more terminal block for 1~2.5m² rigid wire or 0.5~6m² prepared flexible wire.
- 2.Easy-Installation: Patented technology of clip flush mounting frame of modules replacement. Save labor cost.
- 3.Reliable push button: >5000 times.

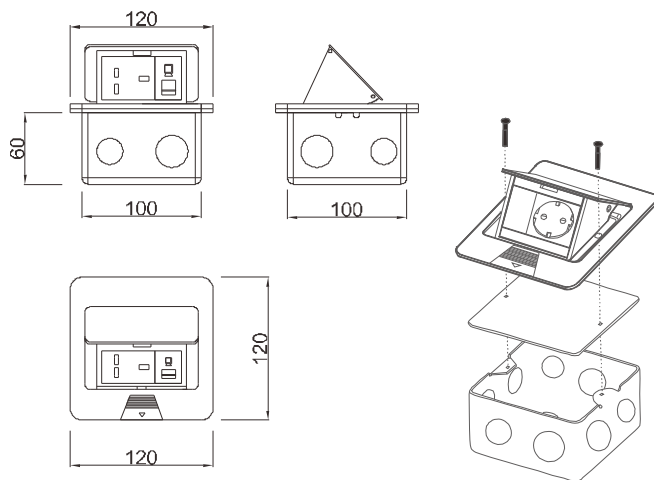
Technical Parameters :

Parameter	Description
Panel Material	Brass alloy(H62)/Stainless(304)
Panel Dimension(mm)	120*120
Cutout(mm)	105*105
Capacity of modules	3 ways modules
Available modules	45*45mm or 45*22.5mm
Sink box Thickness	1.2mm



- Brass Alu alloy Stainless

Outline Drawing: Unit:mm

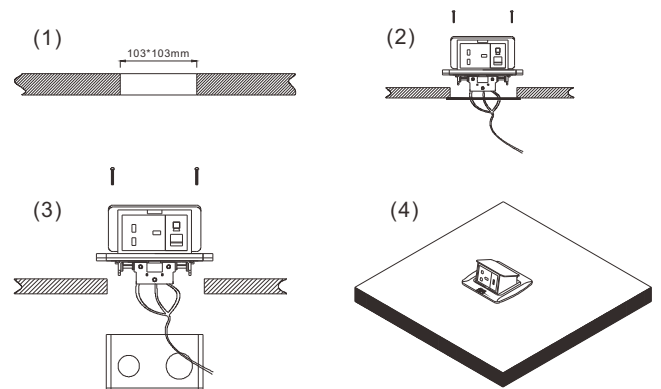


(Image is for reference only.)

Package:20 Pcs inner box into a master carton.Poly bag with box packing.

Installation Guide

- 1.Cut out size :103*103mm.Install the bottom box with panel into the specified location.
- 2.Screw mounting frame and panel(for desktop only).
- 3.Fix the panel and bottom box with screws(This item is for ground installation only).
- 4.Adjust the tightness of all wiring lines (no influence on opening).



Desktop Socket

SOB Series Floor Socket

Switch

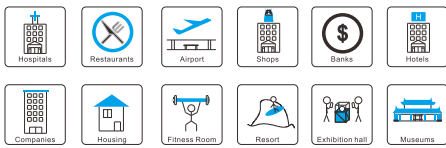
Accessories



HTD-3/HTD-3P SOB Series: Service Outlet Box

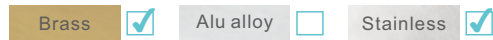
Features:

- 1.Easy Die-cut: round shape of Ø120mm.
- 2.Fast-wiring: more terminal block for 1~2.5m² rigid wire or 0.5~6m² prepared flexible wire.
- 3.Easy-Installation: Patented technology of clip flush mounting frame of modules replacement. Save labor cost.

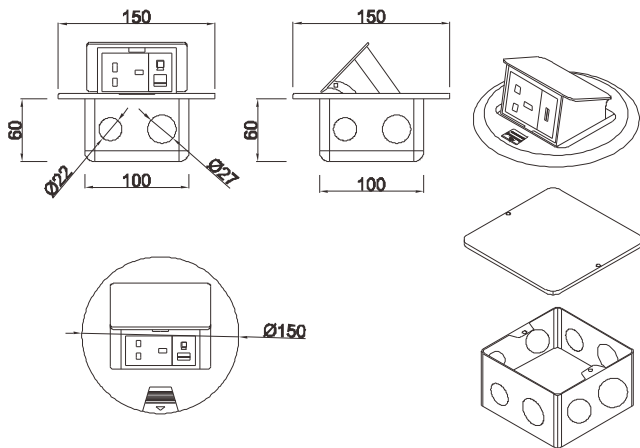


Technical Parameters :

Parameter	Description
Panel Material	Brass alloy(H62)/Stainless(304)
Panel Dimension(mm)	Ø120
Cutout(mm)	Ø105
Capacity of modules	3 ways modules
Available modules	45*45/45*22.5(mm)
Sink box Thickness	1.2mm



Outline Drawing: Unit:mm

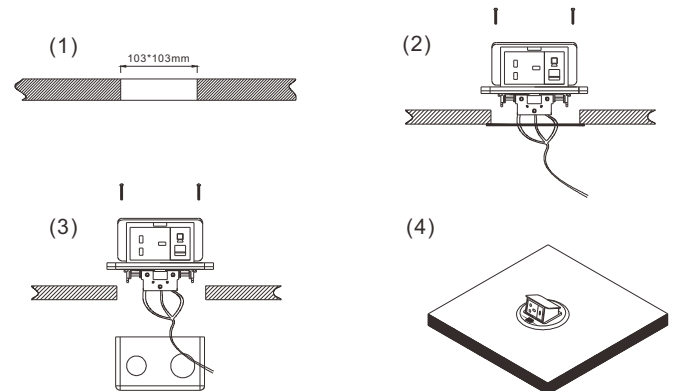


(Image is for reference only.)

Package: 18 Pcs inner box into a master carton.Poly bag with box packing.

Installation Guide

- 1.Cut out size : 120*120mm.Install the bottom box with panel into the specified location.
- 2.Screw mounting frame and panel(for desktop only).
- 3.Fix the panel and bottom box with screws(This item is for ground installation only).
- 4.Adjust the tightness of all wiring lines (no influence on opening).





Desktop Socket

SOB Series Floor Socket

Switch

Accessories

HTD-7/7L SOB Series: Service Outlet Box

Features:

1. Easy Die-cut: round shape of $\varnothing 150\text{mm}$.
2. Fast-wiring: more terminal block for 1~2.5m² rigid wire or 0.5~6m² prepared flexible wire.
3. Easy-Installation: Patented technology of clip flush mounting frame of modules replacement. Save labor cost.

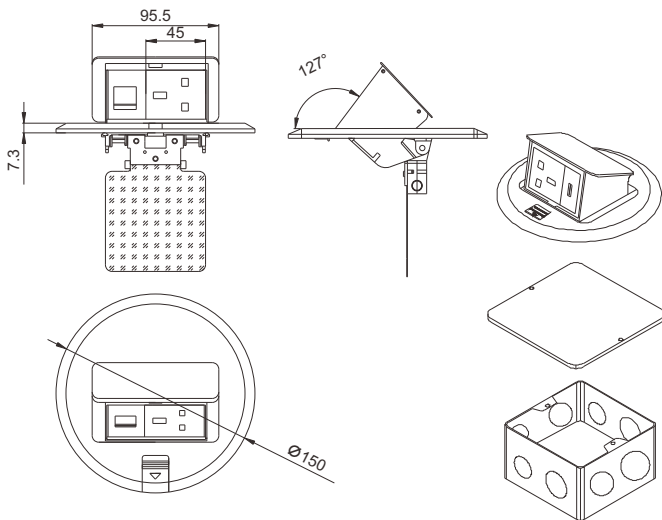
Technical Parameters :

Parameter	Description
Panel Material	Brass alloy(H62)/Alu alloy(6061)
Panel Dimension(mm)	$\varnothing 150$
Cutout(mm)	105x105
Capacity of modules / Interface size	3 ways modules(36*36 mm)
Sink box Thickness	1.2mm

- Brass Alu alloy Stainless



Outline Drawing: Unit:mm

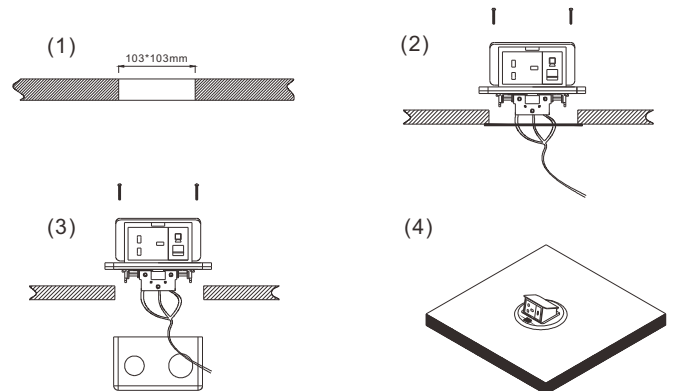


(Image is for reference only.)

Package: 18 Pcs inner box into a master carton. Poly bag with box packing.

Installation Guide

1. Cut out size : 120*120mm. Install the bottom box with panel into the specified location.
2. Screw mounting frame and panel(for desktop only).
3. Fix the panel and bottom box with screws(This item is for ground installation only).
4. Adjust the tightness of all wiring lines (no influence on opening).



Desktop Socket

SOB Series Floor Socket

Switch

Accessories



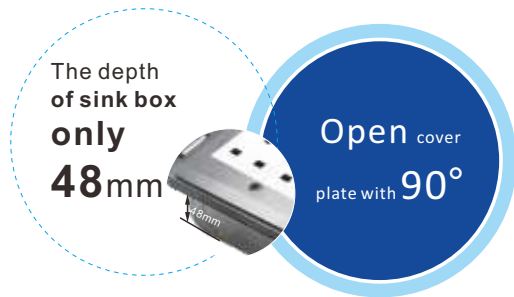
HTD-8/8P SOB Series: Service Outlet Box

Features:

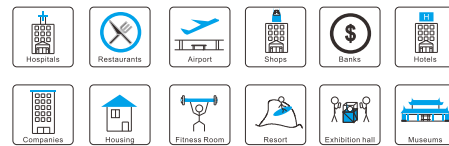
1. The depth of sink box :only 48mm ,especially for lower height floor ;
2. Surface seamless spring loaded lid IP44 level, preventing the dust and impurities entering into.
3. Made from high quality rust proof stainless steel(304) or copper(H62).

Technical Parameters :

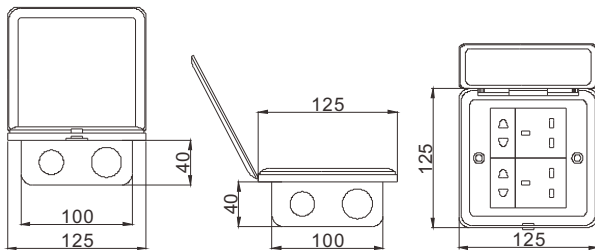
Parameter	Description
Panel Material	Brass alloy(H62)/Stainless(304)
Panel Dimension(mm)	125*125
Cutout(mm)	105*105
Capacity of modules /	6 ways modules
Interface size	
Available modules	45*45/22.5*45(mm)



Brass Alu alloy Stainless

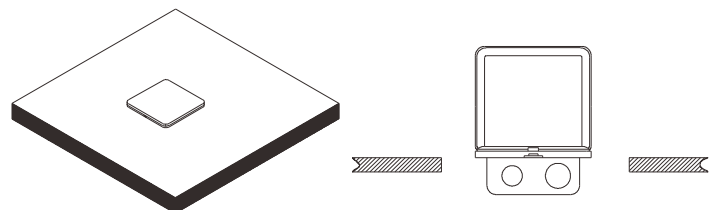


Outline Drawing: Unit:mm



Installation Guide

1. Remove the panel from the bottom box along with the electrical modules.
2. Fix the flooring with spare screws on the bottom box and place it in the embedded hole.
3. The flooring surface shall be at least level with the ground or 20mm below the ground.
4. Remove flooring surface , Insert the 10--12mm lead head into the terminal of floor box.
5. Fix the panel to the bottom box with screws.

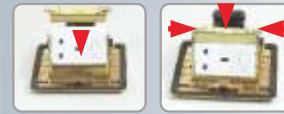


(Image is for reference only.)

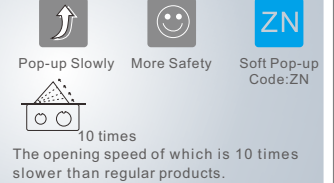
Package:20 Pcs inner box into a master carton.Poly bag with box packing.



1.Easy-Installation



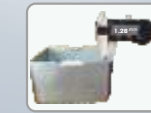
3.Safety Damping Device



2.Fast-Wiring



4.Heavy Material Box



Desktop Socket

SOB Series Floor Socket

Switch

Accessories

HTD-16/16L SOB Series: Service Outlet Box

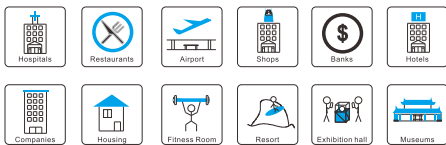
Features:

- 1.Fast-wiring: more terminal block for 1~2.5m² rigid wire or 0.5~6m² prepared flexible wire.
- 2. Easy-Installation: Patented technology of clip flush mounting frame of modules replacement. Save labor cost.
- 3. Reliable press button:>5000 times.

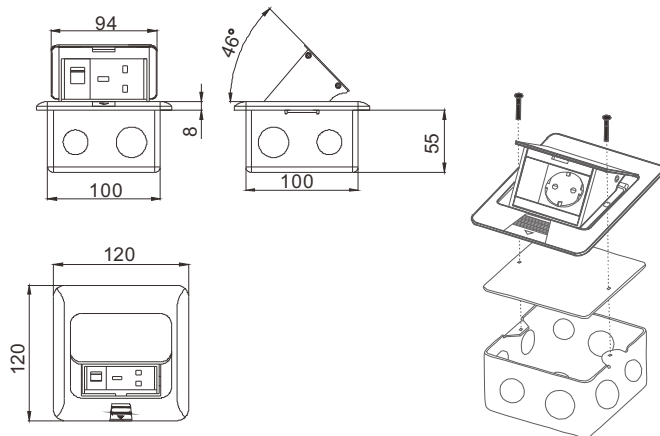
Technical Parameters :

Parameter	Description
Panel Material	Brass alloy(H62)/Alu alloy(6061)
Panel Dimension(mm)	120*120
Cutout(mm)	105x105
Capacity of modules / Interface size	3 ways modules(45*45 mm)
Sink box Thickness	1.2mm

Brass Alu alloy Stainless

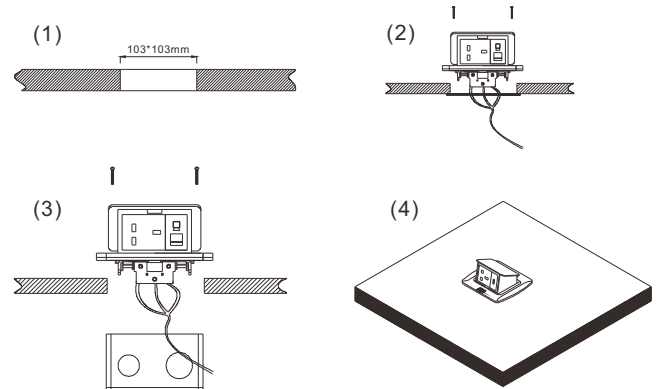


Outline Drawing: Unit:mm



Installation Guide

- 1.Cut out size: 103*103mm.Install the bottom box with panel into the specified location.
- 2.Screw mounting frame and panel(for desktop only).
- 3.Fix the panel and bottom box with screws(This item is for ground installation only).
- 4.Adjust the tightness of all wiring lines (no influence on opening).



(Image is for reference only.)

Package:20 Pcs inner box into a master carton.Poly bag with box packing.

Desktop Socket

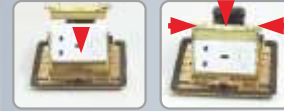
SOB Series Floor Socket

Switch

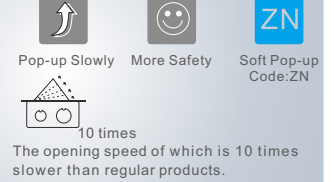
Accessories



1.Easy-Installation



3.Safety Damping Device



2.Fast-Wiring



4.Heavy Material Box



HTD-18/18L

 SOB Series: Service Outlet Box

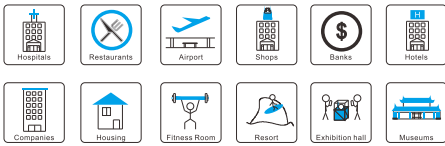
Features:

- 1.Fast-wiring: more terminal block for 1~2.5m² rigid wire or 0.5~6m² prepared flexible wire.
2. Easy-Installation: Patented technology of clip flush mounting frame of modules replacement. Save labor cost.
3. Reliable press button:>5000 times.

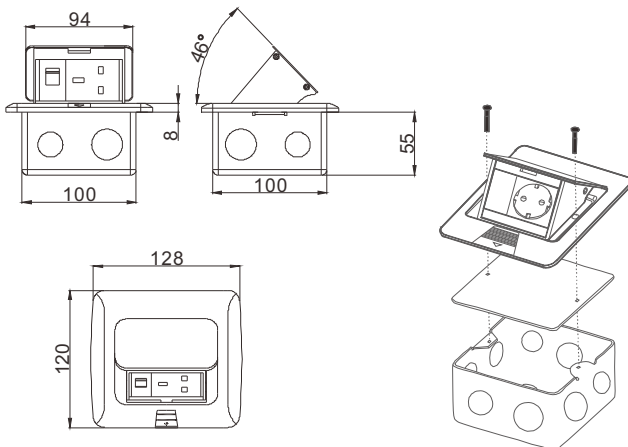
Technical Parameters :

Parameter	Description
Panel Material	Brass alloy(H62)/Alu alloy(6061)
Panel Dimension(mm)	128*120
Cutout(mm)	105x105
Capacity of modules / Interface size	3 ways modules(45*45 mm)
Sink box Thickness	1.2mm

- Brass Alu alloy Stainless



Outline Drawing: Unit:mm

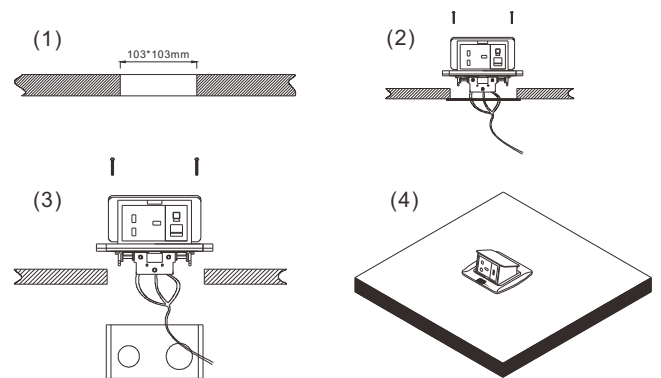


(Image is for reference only.)

Package:20 Pcs inner box into a master carton.Poly bag with box packing.

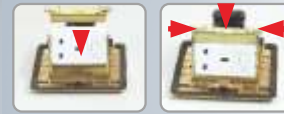
Installation Guide

- 1.Cut out size:103*103mm.Install the bottom box with panel into the specified location.
- 2.Screw mounting frame and panel(for desktop only).
- 3.Fix the panel and bottom box with screws(This item is for ground installation only).
- 4.Adjust the tightness of all wiring lines (no influence on opening).

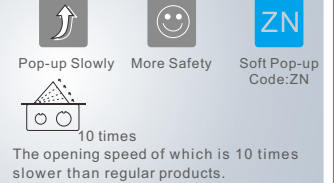




1.Easy-Installation



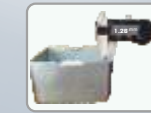
3.Safety Damping Device



2.Fast-Wiring



4.Heavy Material Box



Desktop Socket

SOB Series Floor Socket

Switch

Accessories

HTD-26/26L SOB Series: Service Outlet Box

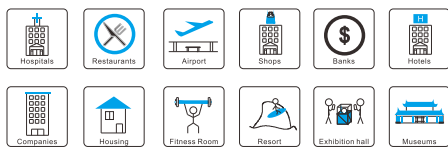
Features:

1. More outlet capacity: double power socket or one power socket + RJ45 computer +RJ11 telephone/2.1A USB charger. .
2. Reliable press button:>5000 times
3. Durable receptacle: Elastic phosphor copper ,high conductivity, pulling and plugging > 15000 times.

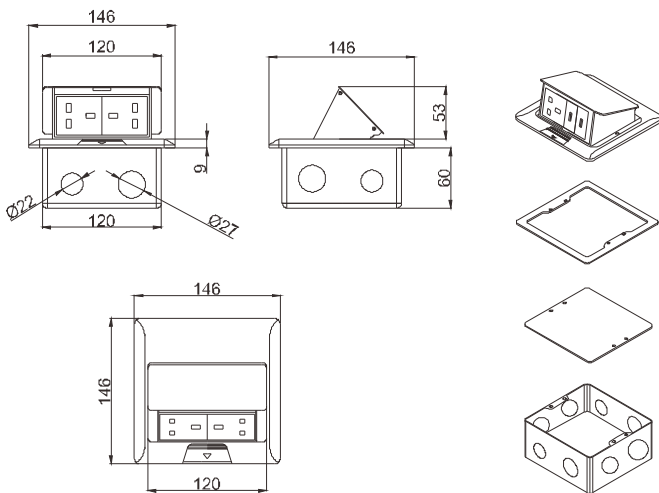
Technical Parameters :

Parameter	Description
Panel Material	Brass alloy(H62)/Alu alloy(6061)
Panel Dimension(mm)	146x146
Cutout(mm)	125*125
Capacity of modules / Interface size	4 ways modules(45*45 mm)
Sink box Thickness	1.2mm

- Brass Alu alloy Stainless

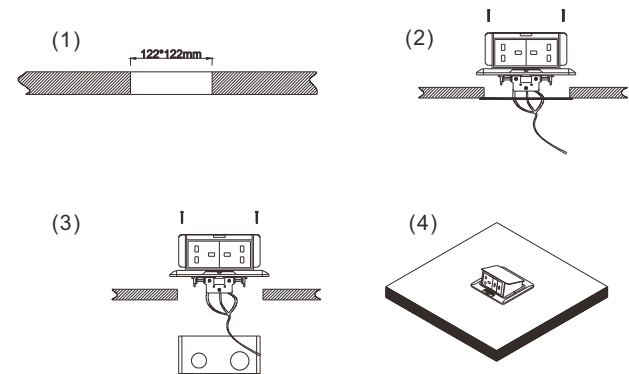


Outline Drawing: Unit:mm



Installation Guide

- 1.Cut out size : 123*123mm.Install the bottom box with panel into the specified location.
- 2.Screw mounting frame and panel(for desktop only).
- 3.Fix the panel and bottom box with screws(This item is for ground installation only).
- 4.Adjust the tightness of all wiring lines (no influence on opening).



(Image is for reference only.)

Package: 12 Pcs inner box into a master carton.Poly bag with box packing.

Desktop Socket

SOB Series Floor Socket

Switch

Accessories



HTD-28/28L SOB Series: Service Outlet Box

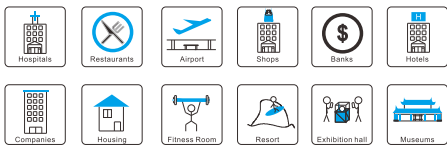
Features:

1. More outlet capacity: double power socket or one power socket + RJ45 computer + RJ11 telephone/2.1A USB charger. .
2. Reliable press button:>5000 times
3. Durable receptacle: Elastic phosphor copper ,high conductivity, pulling and plugging > 15000 times.

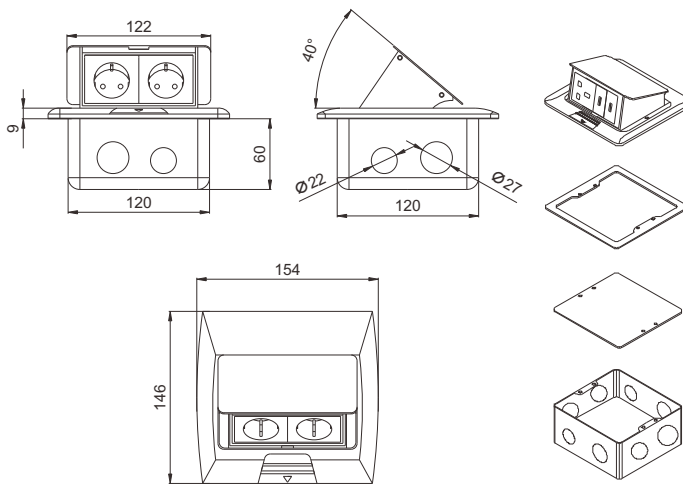
Technical Parameters :

Parameter	Description
Panel Material	Brass alloy(H62)/Alu alloy(6061)
Panel Dimension(mm)	154x146
Cutout(mm)	125*125
Capacity of modules /	4 ways modules(45*45 mm)
Interface size	
Sink box Thickness	1.2mm

- Brass Alu alloy Stainless

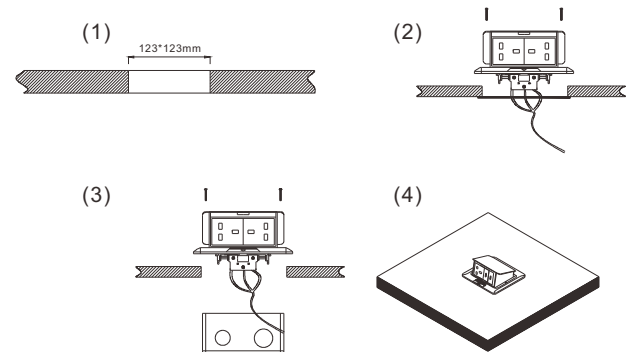


Outline Drawing: Unit:mm



Installation Guide

1. Cut out size: 123*123mm. Install the bottom box with panel into the specified location.
2. Screw mounting frame and panel(for desktop only).
3. Fix the panel and bottom box with screws(This item is for ground installation only).
4. Adjust the tightness of all wiring lines (no influence on opening).



(Image is for reference only.)

Package: 12 Pcs inner box into a master carton.Poly bag with box packing.



Desktop Socket

SOB Series Floor Socket

Switch

Accessories

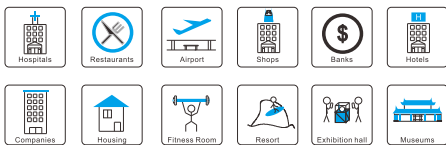
HTD-1602/1602L SOB Series: Service Outlet Box

Features:

1. Duplex receptacle with power socket and network.
2. With 2*Patent damping device, more soft speed.
3. Silver and brass color surface finish are optional.

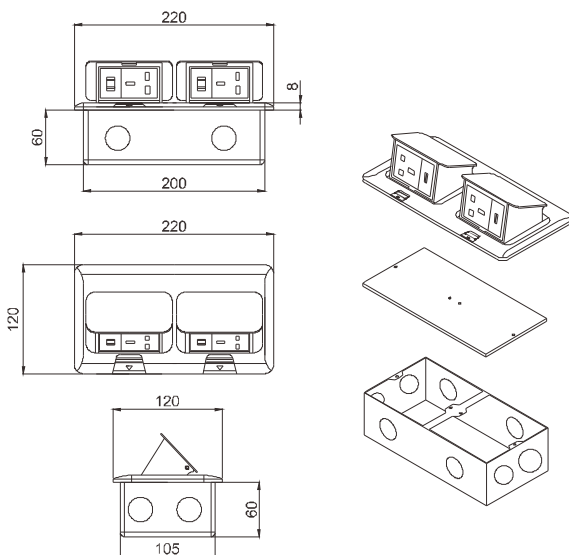
Technical Parameters :

Parameter	Description
Panel Material	Brass alloy(H62)/Alu alloy(6061)
Panel Dimension(mm)	220x120
Cutout(mm)	205*110
Capacity of modules /	6 ways modules((45*45 mm)
Interface size	
Sink box Thickness	1.2mm



- Brass Alu alloy Stainless

Outline Drawing: Unit:mm



(Image is for reference only.)

Package: 12 Pcs inner box into a master carton. Poly bag with box packing.

Installation Guide

1. Hold the lid down with your hand, Pull the push button as the direction, Panel popup
2. Remove panel from the bottom box along with the electrical modules.
3. Fix the flooring with spare screws on bottom box and place it in embedded hole.
4. The flooring surface shall be at least level with the ground or 20mm below the ground.
5. Remove lid surface, Insert the 10--12mm lead head into the terminal of floor box.
6. Fix the panel to the bottom box with screws.

