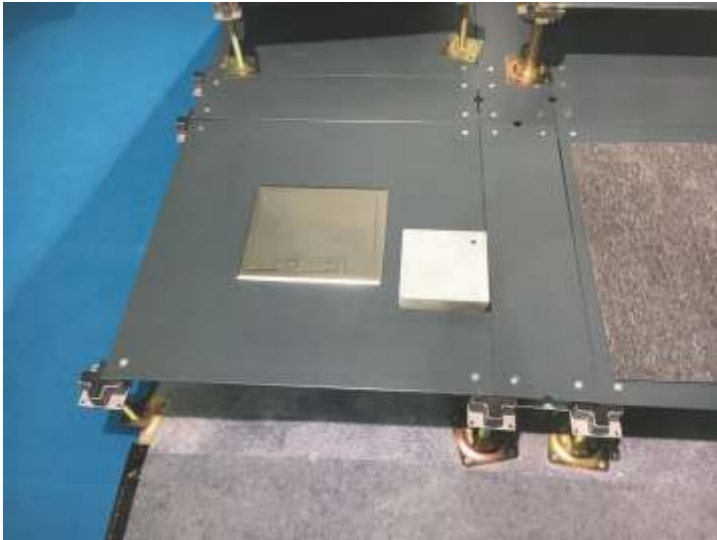


Junction Box/Power Box/Ground Tank



Raised Floor

Concrete Floor



Lid/Coverplate

Novel design for panel, the top cover keeps parallel with floor (180°) when opening. Can be used for special plug socket or more plugs at the same time. It can avoid fallback of cover when taking power (information), which improves the security for product during using.



Flat open
Code: NK



Panel and cover
keep parallel

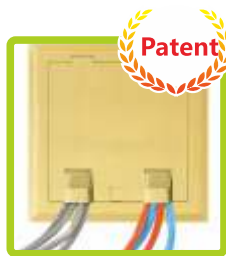


Material: Brass

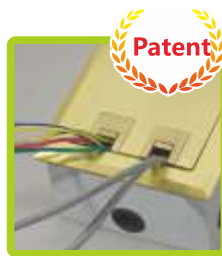


Material:
Stainless steel

Cable Exit Protective Port



DK cable outlet fixing



HK cable outlet fixing

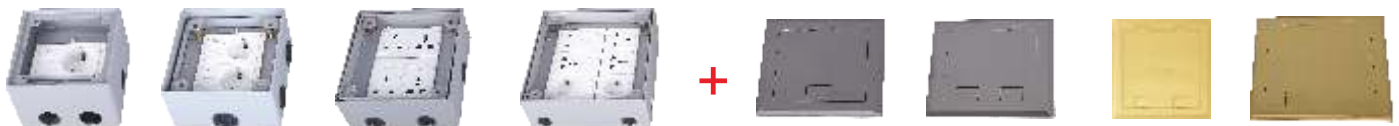
DK DK Cable Exit
Code: DK



HK HK Cable Exit
Code: HK



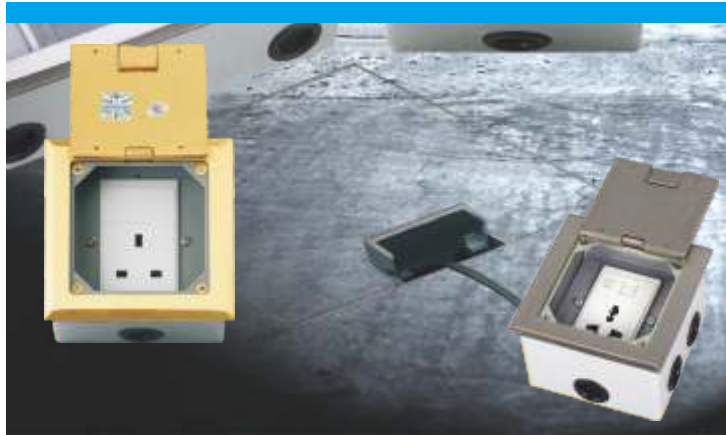
CKD/SKD is welcome!



Bottom Box

Cover Plate

Desktop Socket



HTD-120JH
Bottom Box



HTD120-CP
Cover Plate

CKD/SKD is welcome!

POB Series
Floor Socket

HTD-120K/KP/NK/NKP

POB Series:
Junction Box/Power Box/Ground Tank

Features:

1. Application: Recessed stage floor box provides versatile solution to accessing power, audio and visual equipment through floor .
2. Lid degree against floor:90/180 degree.
- 3.Hinged lid thickness over 4~4.5m , static pressure over 1000N .
- 4.Cold-rolled Steel box thickness over 1.5~2.0mm with powder coated..

Technical Parameters :

Parameter	Description
Panel Material	Brass alloy(H62)/Stainless steel(304)
Panel Dimension(mm)	120*120
Cutout(mm)	110*110
Capacity of modules	3 ways modules

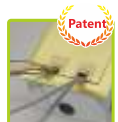
Brass
 Alu alloy
 Stainless



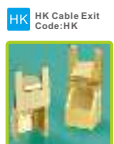
Cable Exit Protective Port



DK cable outlet fixing

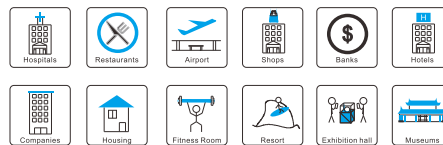


HK cable outlet fixing

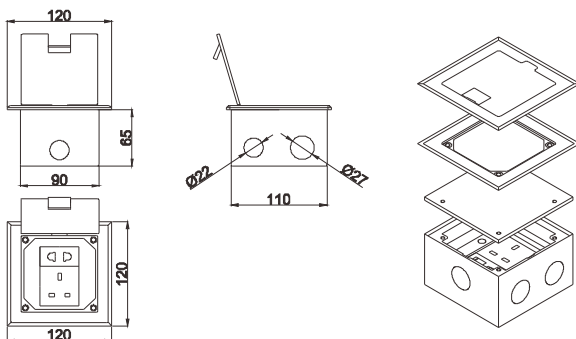


HTD-XXX-NK/NKP

Top cover keeps parallel with floor (180°) when opening.

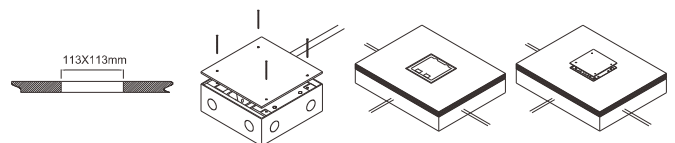


Outline Drawing: Unit:mm



Installation Guide

- 1.Remove the panel from the bottom box along with the electrical modules.
- 2.Fix the flooring with spare screws on the bottom box and place it in the embedded hole.
- 3.The flooring surface shall be at least level with the ground or 20mm below the ground.
- 4.Remove flooring surface ,Insert the 10--12mm lead head into the terminal of floor box.
- 5.Fix the panel to the bottom box with screws.

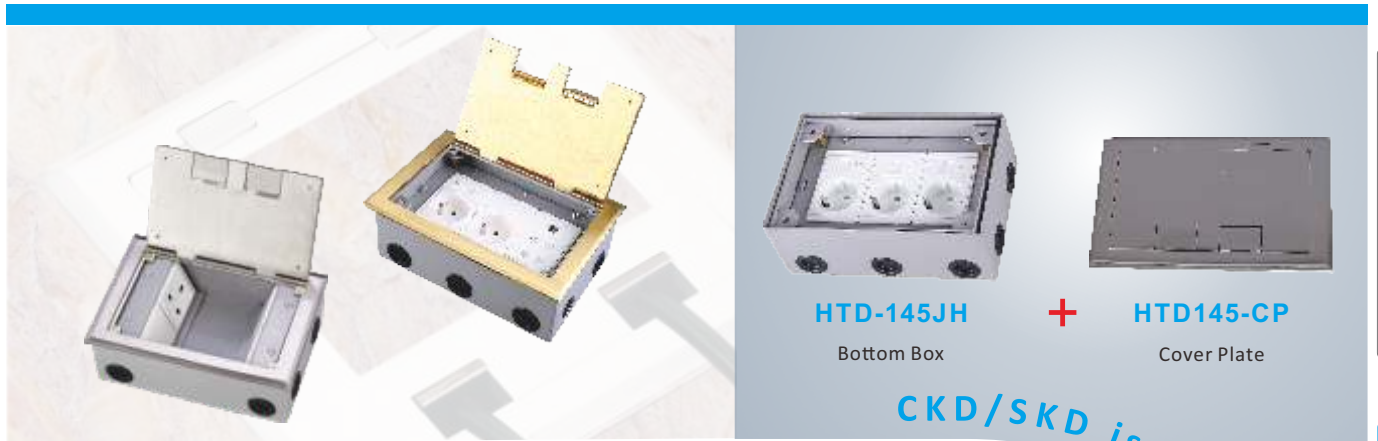


(Image is for reference only.)

Package: 10 Pcs inner box into a master carton.Poly bag with box packing.

Switch

Accessories



HTD-145JH + **HTD145-CP**
Bottom Box + Cover Plate

CKD/SKD is welcome!

HTD-145K/KP/CK/CKP

POB Series:
Junction Box/Power Box/Ground Tank

Features:

- 1.Application: Recessed stage floor box provides versatile solution to accessing power, audio and visual equipment through floor .
- 2.Modules Inside installation:horizontally/side-mounting.
- 3.Hinged lid thickness over 4~4.5m , static pressure over 1000N .
- 4.Cold-rolled Steel box thickness over 1.5~2.0mm with powder coated.

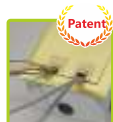
Technical Parameters :

Parameter	Description
Panel Material	Brass alloy(H62)/Stainless steel(304)
Panel Dimension(mm)	210*145
Cutout(mm)	200*135
Capacity of modules	6/9 ways(Horizontallation: 9 ways; Side-mounting: 6 ways)

Cable Exit Protective Port



DK cable outlet fixing



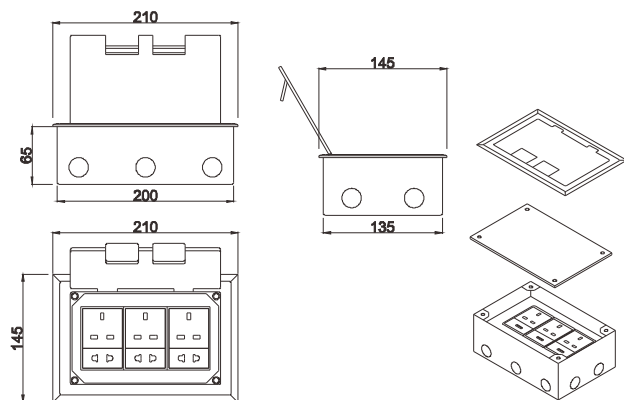
HK cable outlet fixing



Material Selection: Brass Alu alloy Stainless

Application Icons: Hospitals, Restaurants, Airport, Shops, Banks, Hotels, Companies, Housing, Fitness Room, Resort, Exhibition hall, Museums.

Outline Drawing: Unit:mm

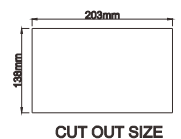
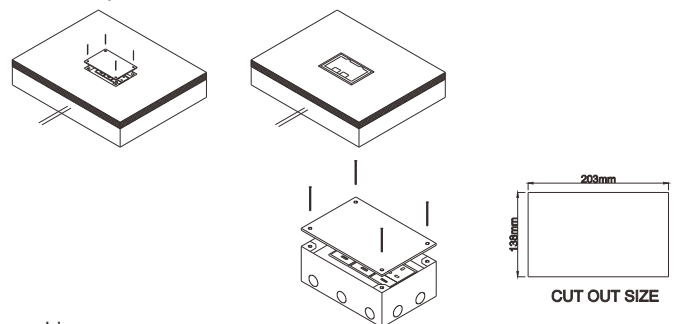


(Image is for reference only.)

Package:8 Pcs inner box into a master carton.Poly bag with box packing.

Installation Guide

- 1.Remove the panel from the bottom box along with the electrical modules.
- 2.Fix the flooring with spare screws on the bottom box and place it in the embedded hole.
- 3.The flooring surface shall be at least level with the ground or 20mm below the ground.
- 4.Remove flooring surface ,Insert the 10--12mm lead head into the terminal of floor box.
- 5.Fix the panel to the bottom box with screws.



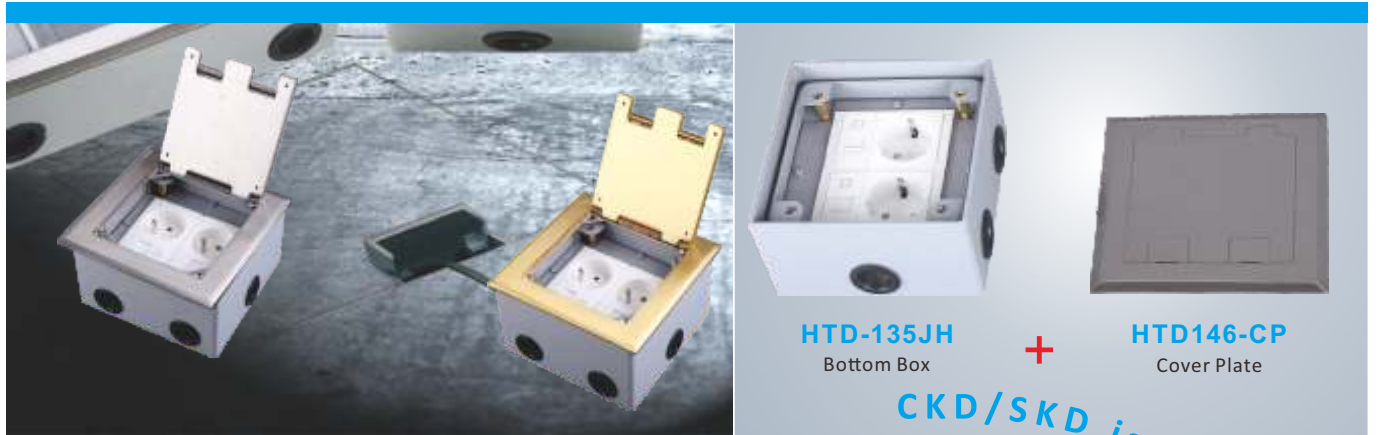
Desktop Socket

POB Series Floor Socket

Switch

Accessories

Desktop Socket



HTD-135JH
Bottom Box

HTD146-CP
Cover Plate

CKD/SKD is welcome!

POB Series
Floor Socket

HTD-146K/KP/NP/NKP POB Series: Junction Box/Power Box/Ground Tank

Features:

- 1.Application: Recessed stage floor box provides versatile solution to accessing power, audio and visual equipment through floor .
- 2.Lid degree against floor:90/180 degree.
- 3.Hinged lid thickness over 4~4.5m , static pressure over 1000N .
- 4.Cold-rolled Steel box thickness over 1.5~2.0mm with powder coated

Technical Parameters :

Parameter	Description
Panel Material	Brass alloy(H62)/Stainless steel(304)
Panel Dimension(mm)	146*146
Cutout(mm)	135*135
Capacity of modules	6 ways modules

Switch

Cable Exit Protective Port



DK cable outlet fixing



HK cable outlet fixing

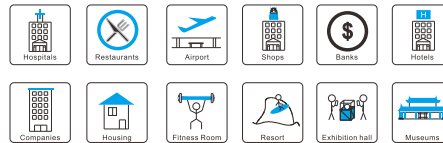


DK DK Cable Exit Code:DK



HK HK Cable Exit Code:HK

- Brass Alu alloy Stainless



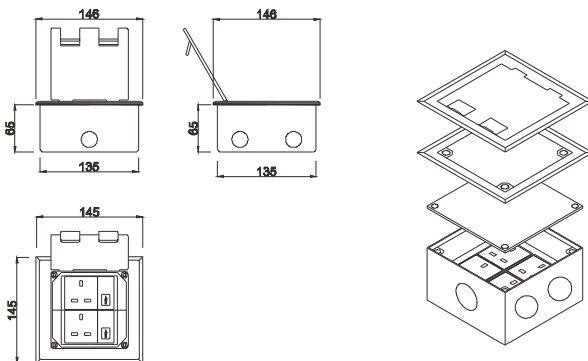
Accessories



HTD-XXX-NK/NKP

Top cover keeps parallel with floor (180°) when opening.

Outline Drawing: Unit:mm

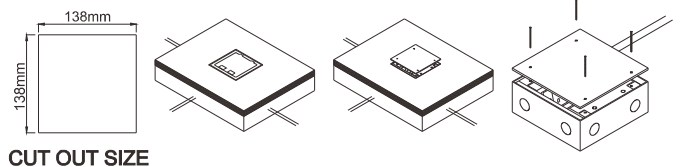


(Image is for reference only.)

Package:8 Pcs inner box into a master carton.Poly bag with box packing.

Installation Guide

- 1.Remove the panel from the bottom box along with the electrical modules.
- 2.Fix the flooring with spare screws on the bottom box and place it in the embedded hole.
- 3.The flooring surface shall be at least level with the ground or 20mm below the ground.
- 4.Remove flooring surface ,Insert the 10--12mm lead head into the terminal of floor box.
- 5.Fix the panel to the bottom box with screws.





HTD-170JH Bottom Box + HTD180-CP Cover Plate

CKD/SKD is welcome!

Desktop Socket

POB Series Floor Socket

Switch

Accessories

HTD-180K(P)/NK(P)/AK(P) POB Series: Junction Box/Power Box/Ground Tank

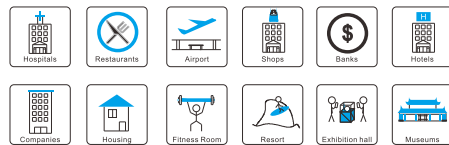
Features:

- 1.Application: Recessed stage floor box provides versatile solution to accessing power, audio and visual equipment through floor .
- 2.Lid degree against floor:90/180 degree.HTD-180NK(P) : Top cover keeps parallel with floor (180°) when opening.
- 3.Hinged lid thickness over 4~4.5mm , static pressure over 1000N .
- 4.Cold-rolled Steel box thickness over 1.5~2.0mm with powder coated.
- 5.HTD-180AK(P) : with cavity depth 20mm.

Technical Parameters :

Parameter	Description
Panel Material	Brass alloy(H62)/Stainless steel(304)
Panel Dimension(mm)	180*180
Cutout(mm)	170*170
Capacity of modules	10 ways modules

- Brass Alu alloy Stainless



Cable Exit Protective Port



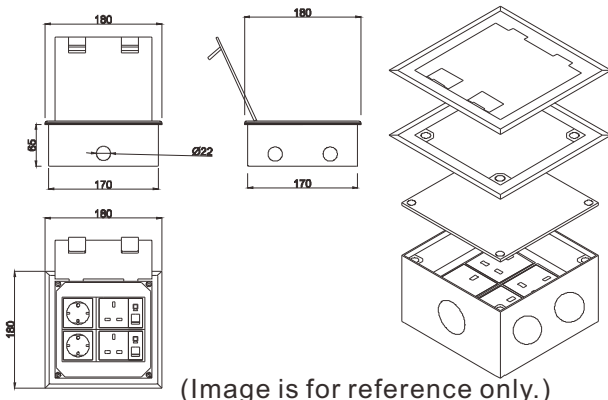
DK cable outlet fixing HK cable outlet fixing



HTD-XXX-NK/NKP

Top cover keeps parallel with floor (180°) when opening.

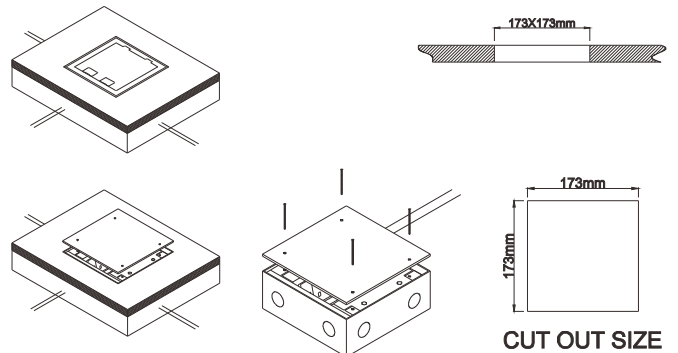
Outline Drawing: Unit:mm



(Image is for reference only.)

Installation Guide

- 1.Cut out 173*173(mm):Powering the slurry.
- 2.Remove the pre-installed temporary lid,wiring and installing modules.
- 3.Per-installthe cable pipe as per your request .
- 4.Install cover lid and tighten with screws.
- 5.Conceal the cut edge of carpet of flooring



CUT OUT SIZE

Package:6 Pcs inner box into a master carton.Poly bag with box packing.

Desktop Socket

POB Series Floor Socket

Switch

Accessories



HTD-240CJH Bottom Box + HTD-210-CP Cover Plate

CKD/SKD is welcome!

HTD-210K(P)/NK(P)/AK(P) POB Series: Junction Box/Power Box/Ground Tank

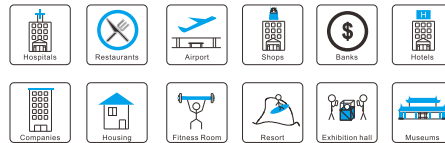
Features:

- 1.Application: Recessed stage floor box provides versatile solution to accessing power, audio and visual equipment through floor .
- 2.Lid degree against floor:90/180 degree.HTD-210NK(P) : Top cover keeps parallel with floor (180°) when opening.
- 3.Hinged lid thickness over 4~4.5mm , static pressure over 1000N .
- 4.Cold-rolled Steel box thickness over 1.5~2.0mm with powder coated.
- 5.HTD-210AK(P) : with cavity depth 20mm.

Technical Parameters :

Parameter	Description
Panel Material	Brass alloy(H62)/Stainless steel(304)
Panel Dimension(mm)	210*210
Cutout(mm)	198*198
Capacity of modules	15 ways modules

Brass Alu alloy Stainless



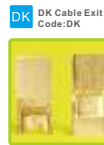
Cable Exit Protective Port



DK cable outlet fixing



HK cable outlet fixing



DK DK Cable Exit Code:DK



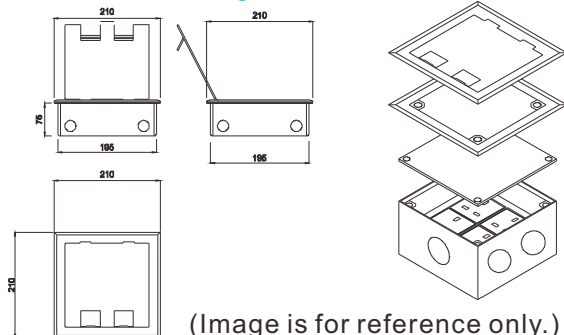
HK HK Cable Exit Code:HK



HTD-XXX-NK/NKP

Top cover keeps parallel with floor (180°) when opening.

Outline Drawing: Unit:mm

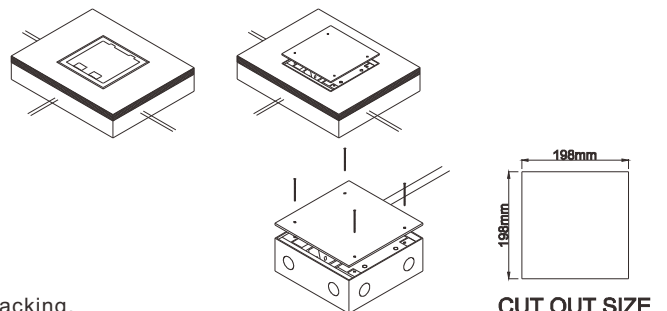


(Image is for reference only.)

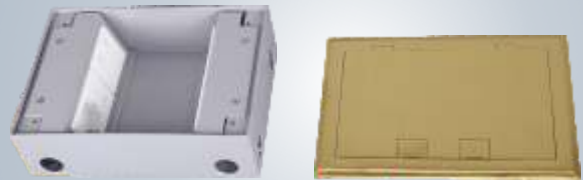
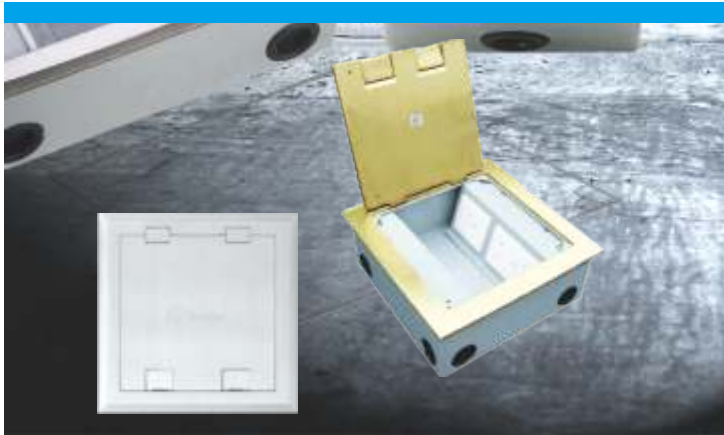
Package:6 Pcs inner box into a master carton.Poly bag with box packing.

Installation Guide

- 1.Remove the panel from the bottom box along with the electrical modules.
- 2.Fix the flooring with spare screws on the bottom box and place it in the embedded hole.
- 3.The flooring surface shall be at least level with the ground or 20mm below the ground.
- 4.Remove flooring surface ,insert the 10--12mm lead head into the terminal of floor box.
- 5.Fix the panel to the bottom box with screws.



CUT OUT SIZE



HTD-240CJH Bottom Box + **HTD-210-CP** Cover Plate

CKD/SKD is welcome!

Desktop Socket

POB Series Floor Socket

Switch

Accessories

HTD-210CK(P) POB Series: Junction Box/Power Box/Ground Tank

Features:

1. Application: Recessed stage floor box provides versatile solution to accessing power, audio and visual equipment through floor .
2. More plug top clearance:side-mounting installation of frame/modules.
3. Hinged lid thickness over 4~4.5m , static pressure over 1000N .
4. Cold-rolled Steel box thickness over 1.5~2.0mm with powder coated.

Technical Parameters :

Parameter	Description
Panel Material	Brass alloy(H62)/Stainless steel(304)
Panel Dimension(mm)	210*210
Cutout(mm)	190*190
Capacity of modules	10 ways modules

Brass Alu alloy Stainless

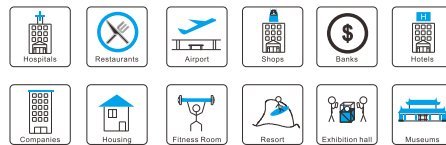
Cable Exit Protective Port



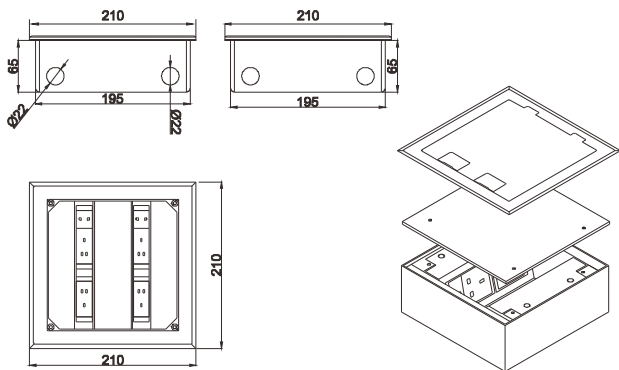
DK cable outlet fixing



HK cable outlet fixing



Outline Drawing: Unit:mm

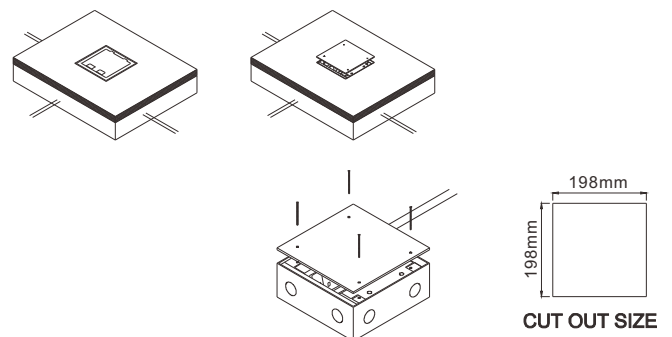


(Image is for reference only.)

Package:6 Pcs inner box into a master carton.Poly bag with box packing.

Installation Guide

- 1.Cut out 198*198Powering the slurry.
- 2.Remove the pre-installed temporary lid,wiring and installing modules.
- 3.Per-installthe cable pipe as per your request .
- 4.Install cover lid and tighten with screws.
- 5.Conceal the cut edge of carpet of flooring.

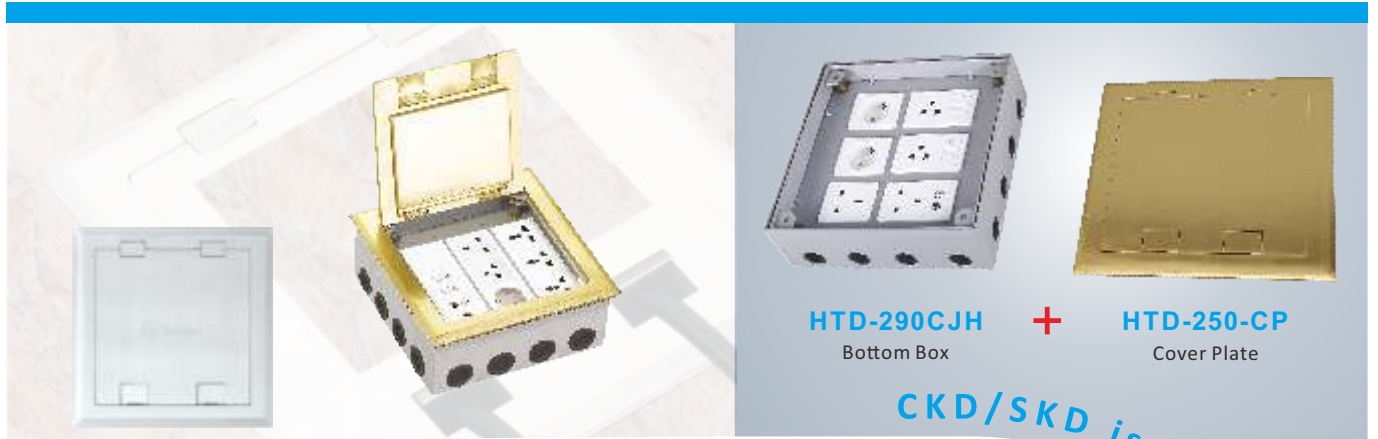


Desktop Socket

POB Series Floor Socket

Switch

Accessories



HTD-290CJH + **HTD-250-CP**
Bottom Box + Cover Plate

CKD/SKD is welcome!

HTD-250K/KP/AK/AKP

POB Series: Junction Box/Power Box/Ground Tank

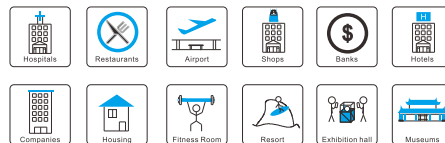
Features:

- 1.Application: Recessed stage floor box provides versatile solution to accessing power, audio and visual equipment through floor .
- 2.Lid degree against floor:90 degree.
- 3.Hinged lid thickness over 4~4.5mm , static pressure over 1000N .
- 4.Cold-rolled Steel box thickness over 1.5~2.0mm with powder coated.
- 5.HTD-250AK(P) : with cavity depth /frame lid recess :20mm.

Technical Parameters :

Parameter	Description
Panel Material	Brass alloy(H62)/Stainless steel(304)
Panel Dimension(mm)	250*250
Cutout(mm)	230*230
Capacity of modules	18 ways modules

Brass
 Alu alloy
 Stainless



Cable Exit Protective Port



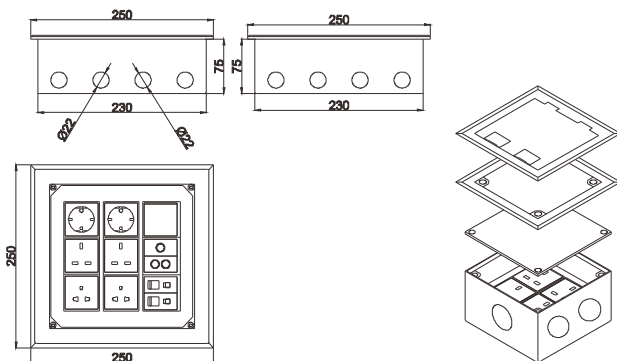
DK cable outlet fixing



HK cable outlet fixing



Outline Drawing: Unit:mm

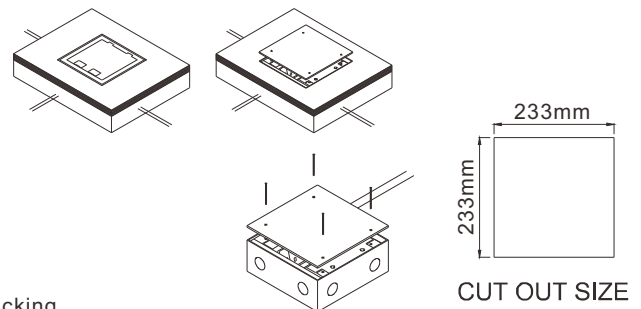


(Image is for reference only.)

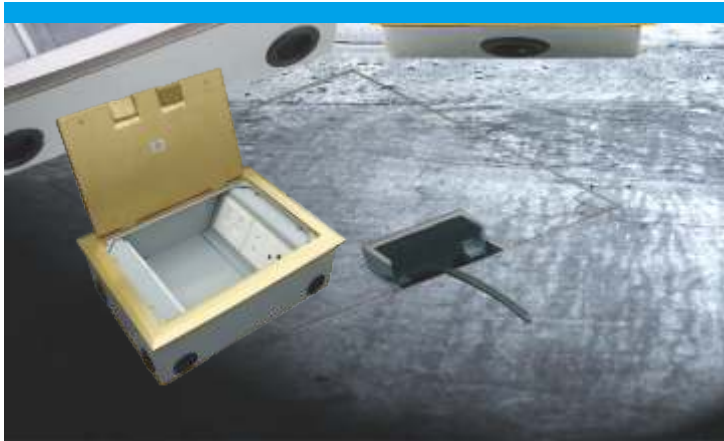
Package:4 Pcs inner box into a master carton.Poly bag with box packing.

Installation Guide

- 1.Remove the panel from the bottom box along with the electrical modules.
- 2.Fix the flooring with spare screws on the bottom box and place it in the embedded hole.
- 3.The flooring surface shall be at least level with the ground or 20mm below the ground.
- 4.Remove flooring surface ,Insert the 10--12mm lead head into the terminal of floor box.
- 5.Fix the panel to the bottom box with screws.



233mm
233mm
CUT OUT SIZE



HTD-240JH
Bottom Box



HTD-251-CP
Cover Plate

CKD/SKD is welcome!

Desktop Socket

POB Series
Floor Socket

Switch

Accessories

HTD-251CK(P) POB Series: Junction Box/Power Box/Ground Tank

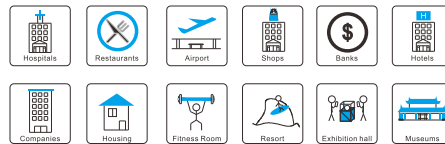
Features:

- 1.Application: Recessed stage floor box provides versatile solution to accessing power, audio and visual equipment through floor .
- 2.More plug top clearance:side-mounting installation of frame /modules.
- 3.Hinged lid thickness over 4~4.5m , static pressure over 1000N .
- 4.Cold-rolled Steel box thickness over 1.5~2.0mm with powder coated.

Technical Parameters :

Parameter	Description
Panel Material	Brass alloy(H62)/Stainless steel(304)
Panel Dimension(mm)	250*180
Cutout(mm)	240*170
Capacity of modules	10 ways modules

- Brass Alu alloy Stainless



Cable Exit Protective Port



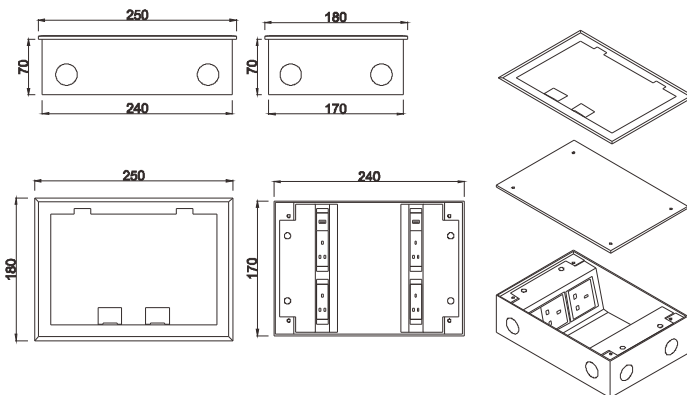
DK cable outlet fixing



HK cable outlet fixing



Outline Drawing: Unit:mm

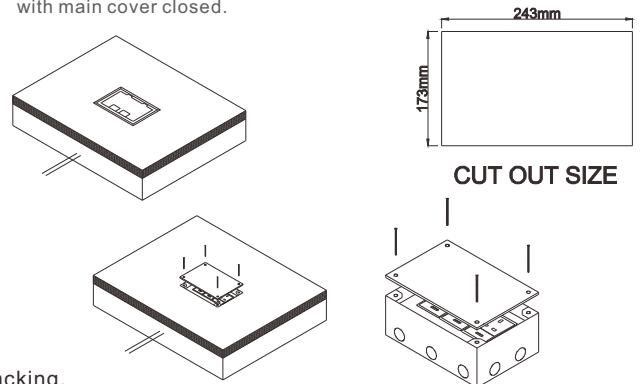


(Image is for reference only.)

Package:6 Pcs inner box into a master carton.Poly bag with box packing.

Installation Guide

- 1.The lid was opened at 90 degrees : Open the cover with the ground 90 degrees, furthermore , open and ground into a 180 degree flat is also available.When using, open the cover horizontally to the floor to avoid accident potential and product damage caused by cover erection.
- 2.Simple installation: Hinged cover with screw fix to steel box body.
- 3.The outlet way of the line can be chosen,DK type cable exit or HK type cable exit:The outlet port(reverse) can lead multi-strand wire cable out of the floor socket and effectively protect the wire cable skin against damaging. This cord outlet flaps fold down when in use to all cords out with main cover closed.



Desktop Socket

POB Series Floor Socket

Switch

Accessories



HTD-290JH Bottom Box + **HTD-300-CP** Cover Plate

CKD/SKD is welcome!

HTD-300K(P) POB Series: Junction Box/Power Box/Ground Tank

Features:

- 1.Application: Recessed stage floor box provides versatile solution to accessing power, audio and visual equipment through floor .
- 2.Lid degree against floor:90.
- 3.Hinged lid thickness over 4~4.5m , static pressure over 1000N .
- 4.Cold-rolled Steel box thickness over 1.5~2.0mm with powder coated.

Technical Parameters :

Parameter	Description
Panel Material	Brass alloy(H62)/Stainless steel(304)
Panel Dimension(mm)	2300*150
Cutout(mm)	290*140
Capacity of modules	12 ways modules

- Brass
 Alu alloy
 Stainless

Cable Exit Protective Port



DK cable outlet fixing



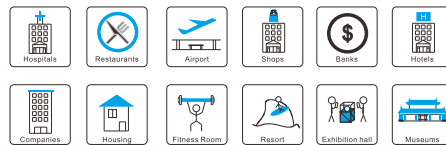
HK cable outlet fixing



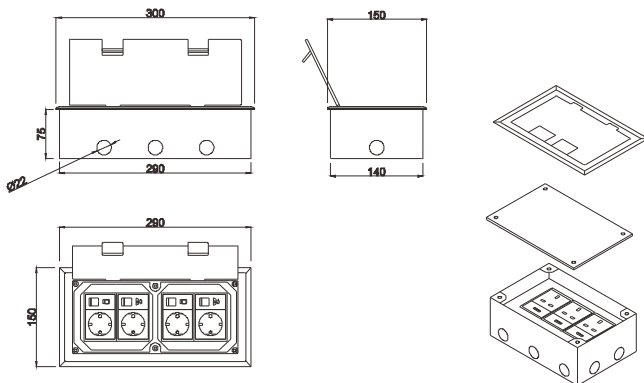
DK Cable Exit Code:DK



HK Cable Exit Code:HK



Outline Drawing: Unit:mm

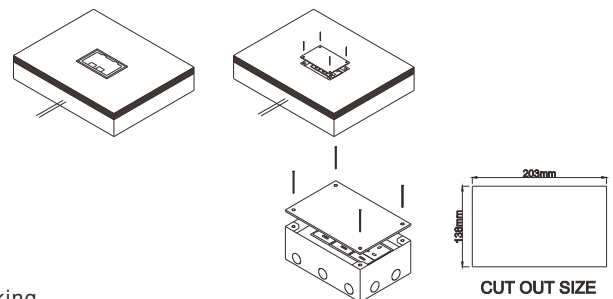


(Image is for reference only.)

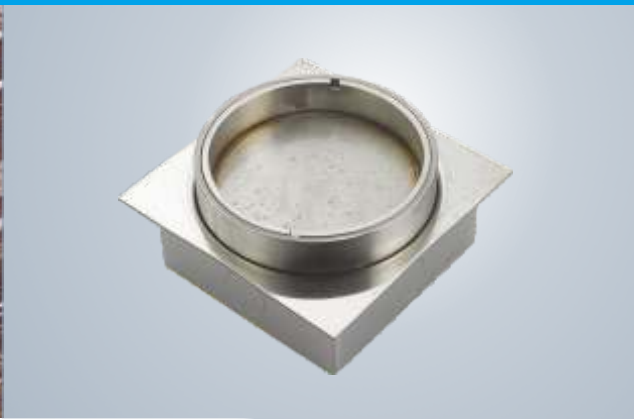
Package:6 Pcs inner box into a master carton.Poly bag with box packing.

Installation Guide

- 1.Remove the panel from the bottom box along with the electrical modules.
- 2.Fix the flooring with spare screws on the bottom box and place it in the embedded hole.
- 3.The flooring surface shall be at least level with the ground or 20mm below the ground.
- 4.Remove flooring surface ,Insert the 10--12mm lead head into the terminal of floor box.
- 5.Fix the panel to the bottom box with screws.



CUT OUT SIZE



Desktop Socket

POB Series Floor Socket

Switch

Accessories

HTD-127ZAP

POB Series: Junction Box/Power Box/Ground Tank

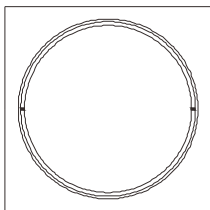
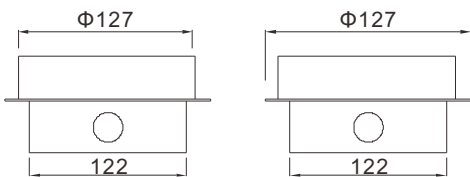
Features:

1. Swivel type floor socket
2. Larger capacity for power and communication outlets recessed in the floor.
3. Frame lid recess : with cavity depth 20mm.

Technical Parameters :

Parameter	Description
Panel Material	Stainless steel (304)
Panel Dimension(mm)	Φ127
Cutout(mm)	125*125
Capacity of modules	3 ways modules
Horizontal mounting	Horizontal installation
Available module	45*45/22.5*45(mm)

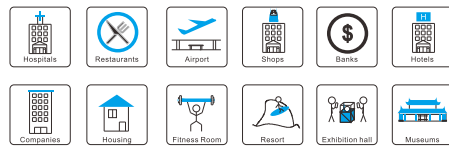
Outline Drawing: Unit:mm



(Image is for reference only.)

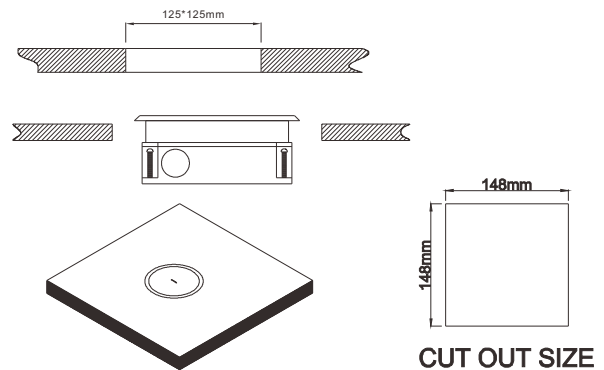
Package:8 Pcs inner box into a master carton. Poly bag with box packing.

- Stainless Alu alloy Brass

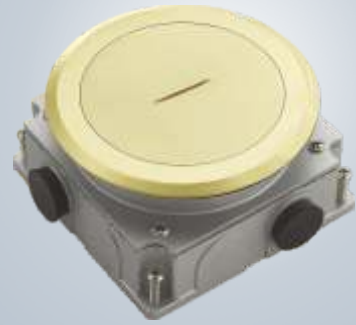


Installation Guide

1. Remove the panel from the bottom box along with the electrical modules.
2. Fix the flooring with spare screws on the bottom box and place it in the embedded hole.
3. The flooring surface shall be at least level with the ground or 20mm below the ground.
4. Remove flooring surface ,Insert the 10--12mm lead head into the terminal of floor box.
5. Fix the panel to the bottom box with screws.



Desktop Socket



POB Series Floor Socket

HTD-130LX/HTD-130LXP

POB Series: Junction Box/Power Box/Ground Tank

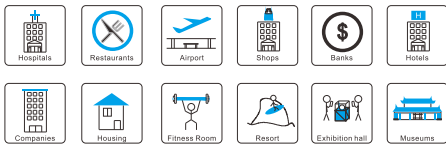
Features:

1. 4 direction junction boxes :configured with up to four opening sides in combinations to provide for a wide variety of duct applications.
2. Junction boxes have adjustable cover plate assemblies which allow for adjustment upwards permitting accurate leveling to the finished floor.
3. A series of stainless or brass pans and rings are available to accept a wide range of floor finishes.

Technical Parameters :

Parameter	Description
Panel Material	Brass alloy (H62)/Stainless steel(304)
Panel Dimension(mm)	Φ130
Cutout(mm)	122*122
Capacity of modules	2 ways modules
Horizontal mounting	Horizontal installation
Base box dimension(mm)	120*120*60
Available modules	45*45/22.5*45(mm)

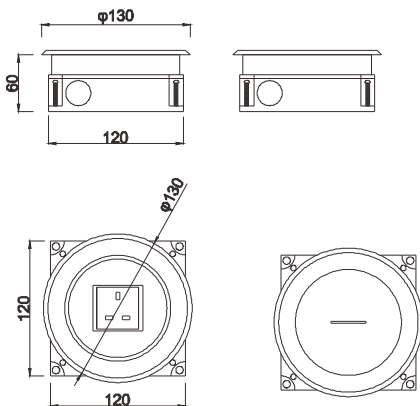
Switch



Brass Alu alloy Stainless

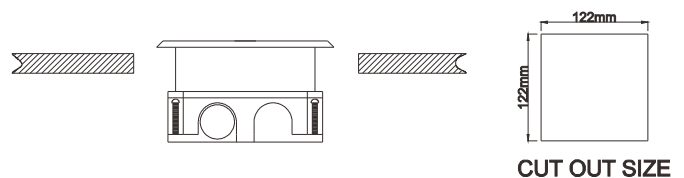
Accessories

Outline Drawing: Unit:mm



Installation Guide

1. Remove the panel from the bottom box along with the electrical modules.
2. Fix the flooring with spare screws on the bottom box and place it in the embedded hole.
3. The flooring surface shall be at least level with the ground or 20mm below the ground.
4. Remove flooring surface ,Insert the 10--12mm lead head into the terminal of floor box.
5. Fix the panel to the bottom box with screws.



(Image is for reference only.)
Package:8 Pcs inner box into a master carton.Poly bag with box packing.



Desktop Socket

POB Series
Floor Socket

Switch

Accessories

HTD-140YK/HTD-140YKP

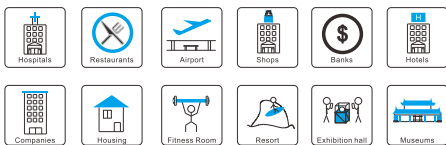
POB Series:
Junction Box/Power Box/
Ground Tank

Features:

1. 4 direction junction boxes :configured with up to four opening sides in combinations to provide for a wide variety of duct applications.
2. Junction boxes have adjustable cover plate assemblies which allow for adjustment upwards permitting accurate leveling to the finished floor.
3. A series of stainless or brass pans and rings are available to accept a wide range of floor finishes.

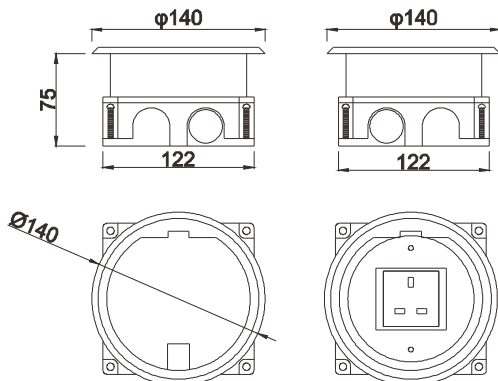
Technical Parameters :

Parameter	Description
Panel Material	Brass alloy (H62)/Stainless steel(304)
Panel Dimension(mm)	Φ140
Cutout(mm)	125*125
Capacity of modules	2 ways modules
Horizontal mounting	Horizontal installation
Sink box Material	Steel+Zinc plated
Base box dimension(mm)	125*125*60
Available modules	45*45/22.5*45(mm)



Brass
 Alu alloy
 Stainless

Outline Drawing: Unit:mm

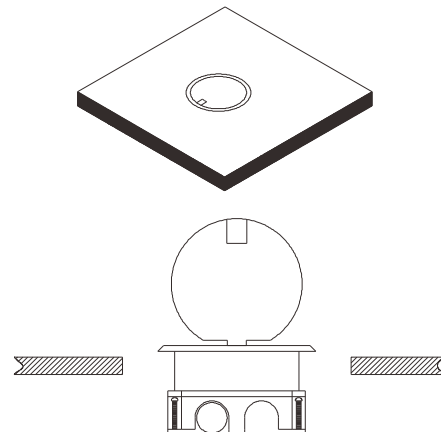


(Image is for reference only.)

Package:8 Pcs inner box into a master carton.Poly bag with box packing.

Installation Guide

The concrete is then added to keep it level with the ground



Desktop Socket



POB Series Floor Socket

HTD-160LX/HTD-160LXP

POB Series: Junction Box/Power Box/ Ground Tank

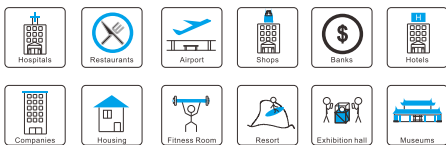
Features:

1. 4 direction junction boxes :configured with up to four opening sides in combinations to provide for a wide variety of duct applications.
2. Junction boxes have adjustable cover plate assemblies which allow for adjustment upwards permitting accurate leveling to the finished floor.
3. A series of stainless or brass pans and rings are available to accept a wide range of floor finishes.
4. More Capacity: Switched socket single.

Technical Parameters :

Parameter	Description
Panel Material	Brass alloy (H62)/Stainless steel(304)
Panel Dimension(mm)	Φ160
Cutout(mm)	148*148
Capacity of modules	3 ways modules
Horizontal mounting	Horizontal installation
Sink box Material	Steel+Zinc plated
Base box dimension(mm)	145*145*60
Available modules	45*45/22.5*45(mm)

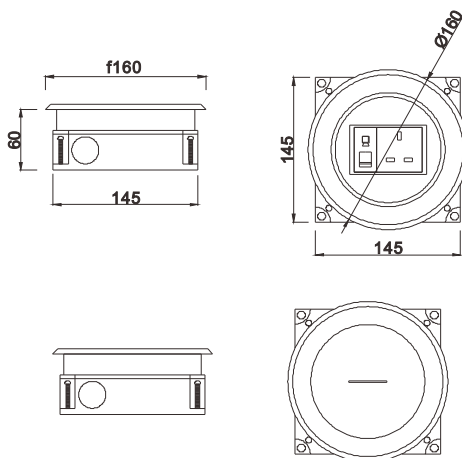
Switch



Accessories

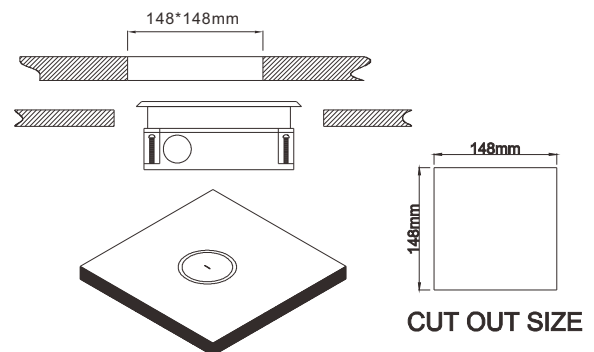
Brass Alu alloy Stainless

Outline Drawing:



Installation Guide

1. Remove the panel from the bottom box along with the electrical modules.
 2. Fix the flooring with spare screws on the bottom box and place it in the embedded hole.
 3. The flooring surface shall be at least level with the ground or 20mm below the ground.
 4. Remove flooring surface ,Insert the 10--12mm lead head into the terminal of floor box.
 5. Fix the panel to the bottom box with screws.
- The concrete is then added to keep it level with the ground



(Image is for reference only.)

Package:8 Pcs inner box into a master carton.Poly bag with box packing.