

# Office Furniture Socket OPDU/Table Modular



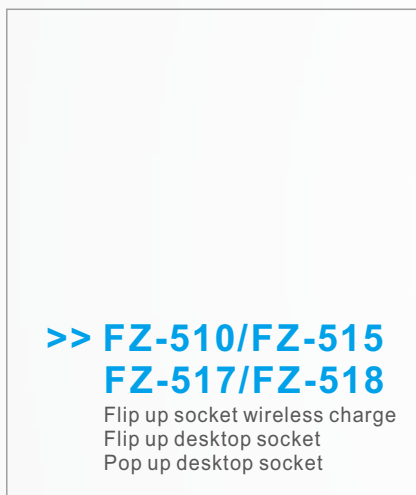
>> **FZ-501/FZ-536/HTD610**

Embedded desktop socket



>> **FZ-525/FZ-561**

Dual side open flip up desk-top box  
Electric motor rotate hidden socket



>> **FZ-510/FZ-515**  
**FZ-517/FZ-518**

Flip up socket wireless charge  
Flip up desktop socket  
Pop up desktop socket

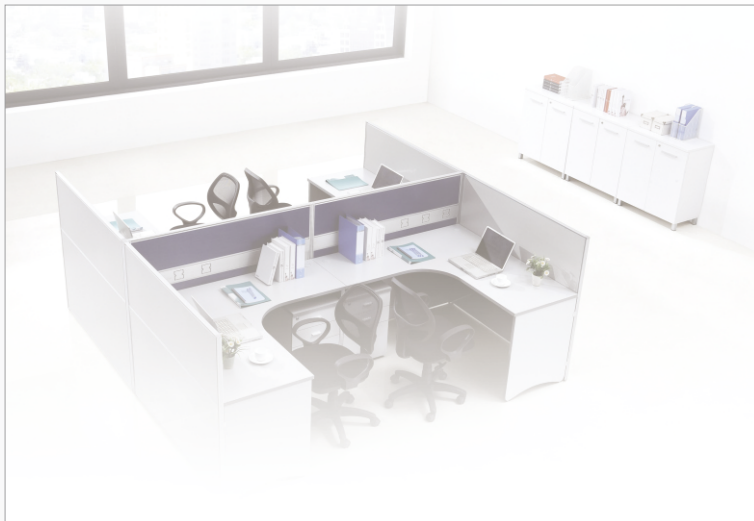


>> **FZ-531/FZ-532/FZ-551** Mobility-Installation Mini-cloumns stand pole socket



**>> FZ-520  
FZ-526  
FZ-527**

Vertical aluminum liftable up socket  
IP54 Vertical pop up socket with brass  
Stainless coverplate



**>> FZ-507  
FZ-508  
FZ-TB-B  
FZ-PFB01**

Screen Mounting PDU  
Screen clamped PDU  
Table clamped PDU  
Slide coverplate desktop socket



**>> FZ-521/FZ-522/FZ-528** Flush-mounting single flap lid /duplex flap lid desk socket

# FZ-501

Floor Socket

Desktop Socket

Switch

Accessories

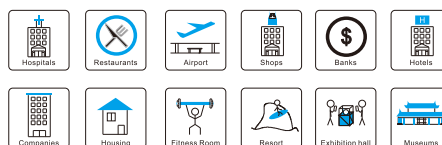


## Features:

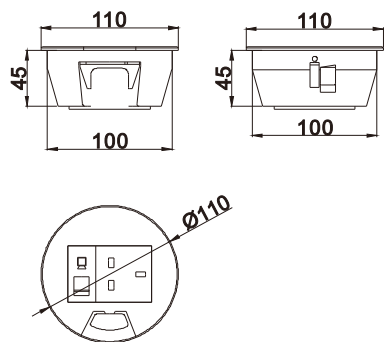
1. Easy installation: Round shape to die out hole and save labor cost.
2. More durable: The material of socket product body is from high quality zinc alloy by process of pressure casting as integration design. It be high intensity so more durable.
3. More anti corrosion under heavy humidity environment: Surface of product is processed by power painting .
4. More safety : Complete closed plastic bottom case and with conduit of cord .

## Technical Parameters :

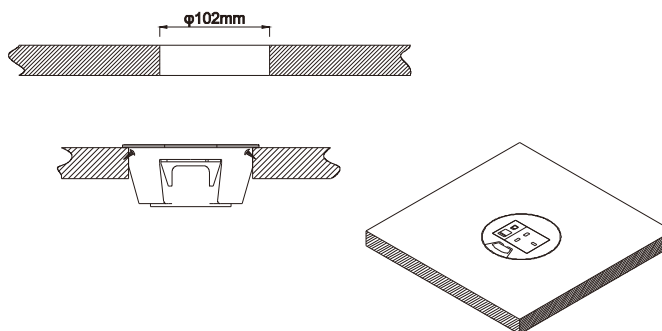
Parameter	Description
Panel Material	Zinc alloy
Bottom box Material	Engineering PC
Socket material	Phosphor copper
Panel Dimension(mm)	Ø110
Cutout(mm)	Ø102
Base box dimension	Ø110*45
Capacity of modules / Interface size	3 ways 128 type(36*36mm)modules
Available Structure	Round/ Without coverplate/ Concealed installation
Available modules	Type 45



## Outline Drawing: Unit:mm



## Installation Guide



(Image is for reference only.)

Package: 18 Pcs inner box into a master carton.Poly bag with box packing.



# FZ-536



Floor Socket

Desktop Socket

Switch

Accessories

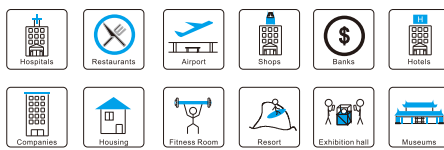
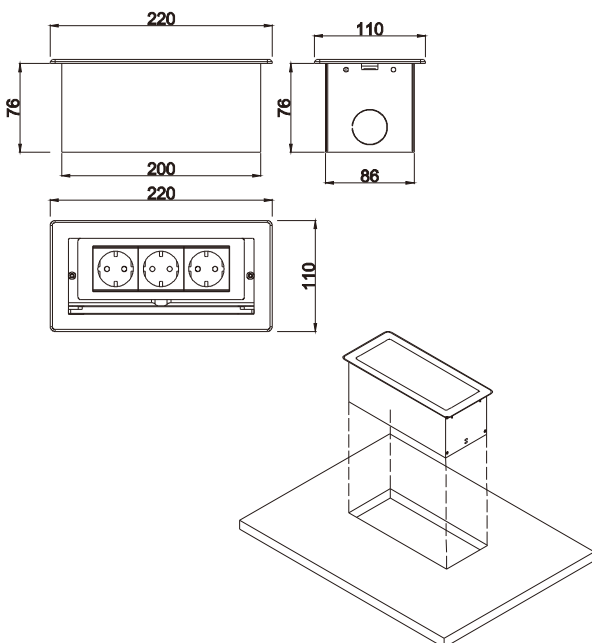
## Features:

- 1. Open hidden structure:** Open coverplate when used and the plate is embedded into socket body inside.
2. With plastic bottom boxes;
3. Applicable for wide range of 45\*45mm modules of power socket and intelnet data.

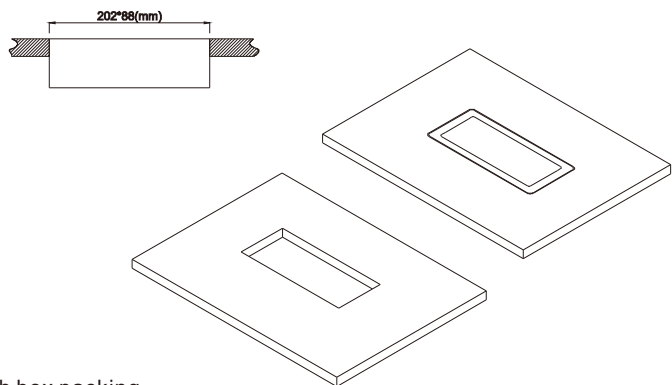
## Technical Parameters :

Parameter	Description
Panel Material	Aluminum alloy
Surface finish	Electroplated/Painted/Power sprayed
Panel Dimension(mm)	220*110
Cutout(mm)	201x90
Height of product(mm)	85
Bottom box size(mm)	200*86*76
Bottom box material	Plastic
Capacity of modules / Interface size	6 ways
Configuration	Power outlet+Data outlet or USB charging : Customized as required
Cable length	1.5m, 2m,2m or required length
Available modules	45*45mm Type series

## Outline Drawing: Unit:mm



## Installation Guide



(Image is for reference only.)

Package: 18 Pcs inner box into a master carton.Poly bag with box packing.



# FZ-515

Floor Socket

Desktop Socket

Switch

Accessories

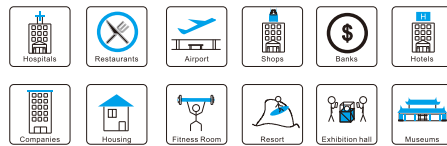


## Features:

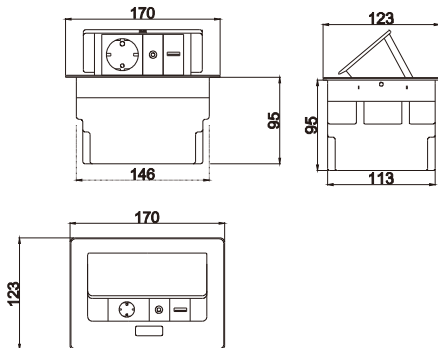
1. With damping device, press button and pop up with slow speed;
2. With screws and complete plastic bottom box, more easy to installation;
3. The panel is by aluminum alloy of intergrate diacasting structure, more reliable surface protect from scratch ;
4. Silver or black painting finish of optional surface .

## Technical Parameters :

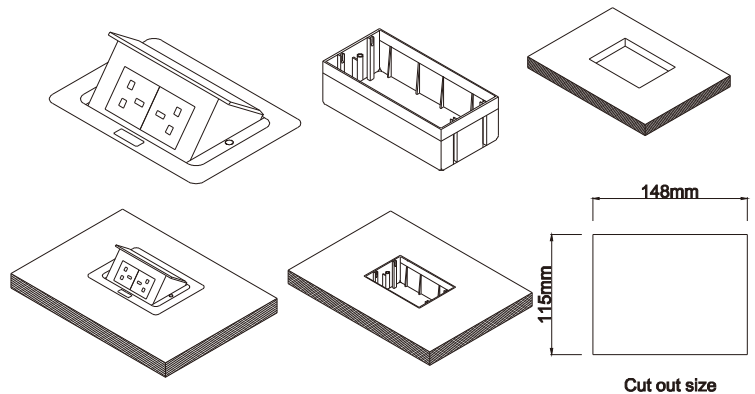
Parameter	Description
Material	Zinc Alloy/Steel
Panel Material	Aluminum alloy
Surface finish	Electroplated/Painted/Power sprayed
Panel Dimension(mm)	170*123
Cutout(mm)	148*115
Height of product(mm)	97.6
Bottom box size(mm)	146*113*97.6
Bottom box material	Plastic
Capacity of modules / Interface size	4 ways 45*45mm modules
Configuration	Power outlet+Data outlet or USB charging : Customized as required
Cable length	1.5m, 2m,2m or required length
Available modules	45*45mm Type series



## Outline Drawing: Unit:mm



## Installation Guide



(Image is for reference only.)

Package: 18 Pcs inner box into a master carton. Poly bag with box packing.

# FZ-518



Floor Socket

Desktop Socket

Switch

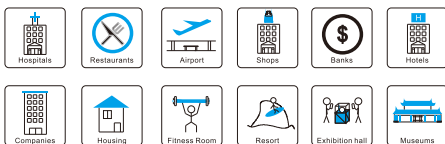
Accessories

## Features:

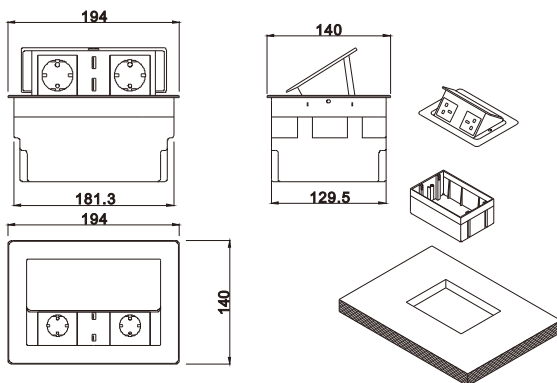
1. With damping device, press button and pop up with slow speed;
2. With screws and complete plastic bottom box, more easy to installation;
3. The panel is by aluminum alloy of intergrate diacasting structure, more reliable surface protect from scratch ;
4. Silver or black painting finish of optional surface .

## Technical Parameters :

Parameter	Description
Material	Aluminum alloy & ABS plastic
Panel Material	Aluminum alloy
Surface finish	Anodised
Panel Dimension(mm)	194*140
Cutout(mm)	183*132
Height of product(mm)	90
Bottom box size(mm)	181.3*129.5
Bottom box material	Plastic
Capacity of modules / Interface size	6 ways 45*45mm modules
Configuration	Power outlet+Data outlet or USB charging : Customized as required
Cable length	1.5m, 2m,2m or required length
Available modules	45*45mm Type series



## Outline Drawing: Unit:mm

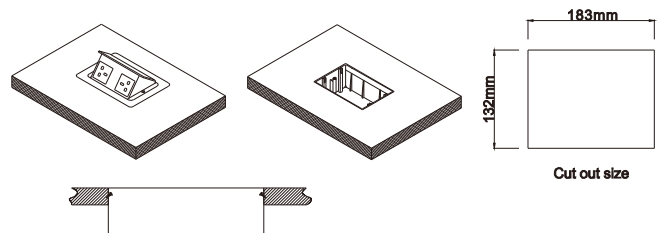


(Image is for reference only.)

Package: 12 Pcs inner box into a master carton. Poly bag with box packing.

## Installation Guide

1. Remove the panel from the bottom box along with the electrical modules.
2. Fix the flooring with spare screws on the bottom box and place it in the embedded hole.
3. The flooring surface shall be at least level with the ground or 20mm below the ground.
4. Remove flooring surface ,Insert the 10--12mm lead head into the terminal of floor box.
5. Fix the panel to the bottom box with screws.



# FZ-517

Floor Socket

Floor Socket

Desktop Socket

Desktop Socket



## Features:

- 1.The panel is by aluminum alloy of integrate die casting structure,more reliable surface protect from scratch.
- 2.Easy Installation:Only need screw the bottom box through hole of panel. Fast wiring 3 screw terminal block HTJ-002 tight by screw,0.5~6mm2soft/hard wire.
- 3.Replace modules no need to change complete desktop socket,save labor lost.
- 4.Fire retardant PC plastic bottom box.

## Technical Parameters :

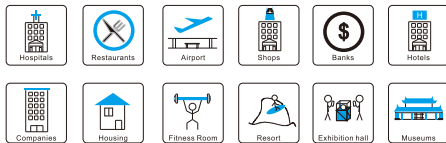
Parameter	Description
Panel Material	Aluminum alloy
Surface finish	Silver/black/white
Panel Dimension(mm)	240x120
Cutout(mm)	231x112
Height of product(mm)	70
Bottom box size(mm)	229*110*70
Bottom box material	Plastic
Capacity of modules / Interface size	6 ways 45*45/45*22.5(mm) modules
Configuration	Power outlet+Data outlet or USB charging : Customized as required
Cable length	1.5m, 2m,2m or required length

Switch

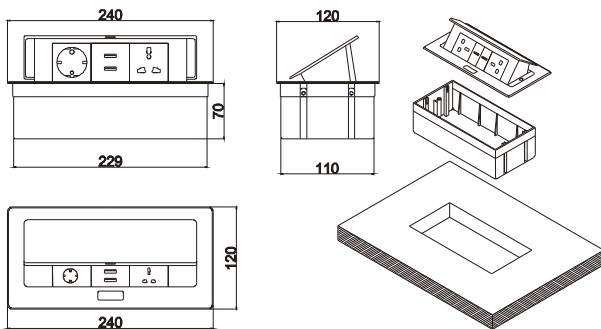
Switch

Accessories

Accessories

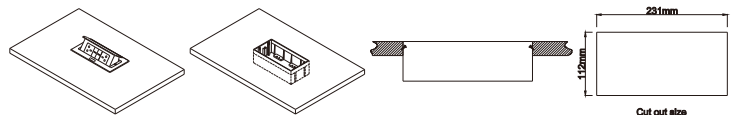


## Outline Drawing: Unit:mm



## Installation Guide

- 1.Cut out as specification sheet.
- 2.put the bottom box into cut-out hole,punch the self-tapping screw and fix the bottom box.
- 3.Remove plastic frame fixing socket modules.Assemble the socket or data Jack into the plastic frame and press frame ensure them combine tightly.
- 4.Keep socket modules connected by inner wire (it should be copper core 1.5mm29~20 wire and length should be suitable).Then earthing and ensure inner wire tightly with modules.For fast connector terminal block,Just insert wire into block.
- 5.Phone line ,TV receiving line sound box wire:it should thin wire:Just the wire length and tighten stop screw comathen.
- 6.Put the panel on the bottom box and it with the hole.



(Image is for reference only.)

Package: 12 Pcs inner box into a master carton.Poly bag with box packing.



# FZ-510



Floor Socket

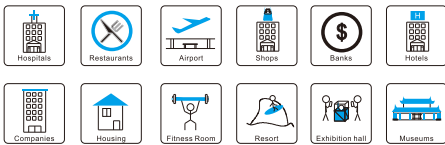
Desktop Socket

Switch

Accessories

## Features:

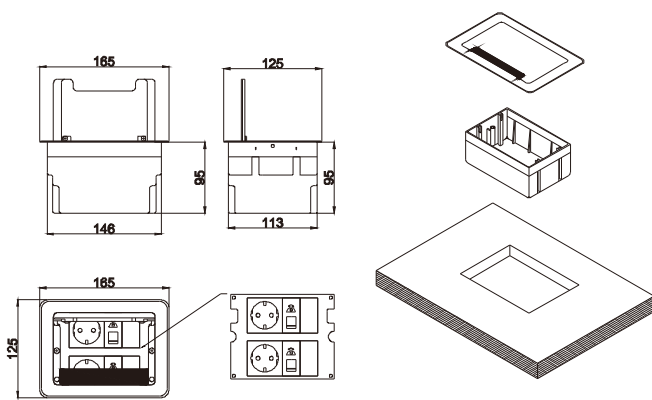
1. Wireless charging function as per Qi standard;
2. Black wire drawing oxidation finish with wireless charging;
3. Dual USB port, full-voltage USB smart quick charge, supporting QC3.0; Carrying QUALCOMM identification chip, power conversion rate of above 80%, and at the same time, a variety of intelligent protection functions including overcharge protection, over-temperature protection, overvoltage protection, short circuit protection, under-voltage protection, overload protection, etc. overvoltage protection, short-circuit protection, under-voltage protection, overload protection, etc.;



## Technical Parameters :

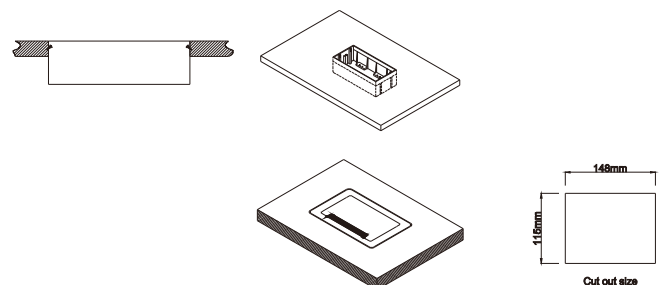
Parameter	Description
Panel Material	Aluminum alloy
Surface finish	Electroplated/Painted/Power sprayed
Panel Dimension(mm)	165*125;
Cutout(mm)	148x115
Height of product(mm)	95
Bottom box size(mm)	146*113*95
Bottom box material	Plastic
Capacity of modules /Interface size	6 ways
Configuration	Power outlet+Data outlet or USB charging : Customized as required
Cable length	1.5m, 2m,2m or required length
Available modules:	45*45mm Type series

## Outline Drawing: Unit:mm



## Installation Guide

1. Remove the panel from the bottom box along with the electrical modules.
2. Fix the flooring with spare screws on the bottom box and place it in the embedded hole.
3. The flooring surface shall be at least level with the ground or 20mm below the ground.
4. Remove flooring surface , Insert the 10--12mm lead head into the terminal of floor box.
5. Fix the panel to the bottom box with screws.



(Image is for reference only.)

Package: 18 Pcs inner box into a master carton. Poly bag with box packing.

# FZ-521

Floor Socket

Desktop Socket

Switch

Accessories

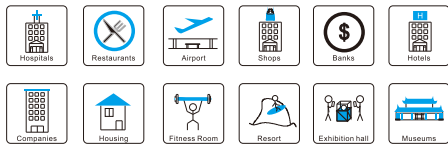


## Features:

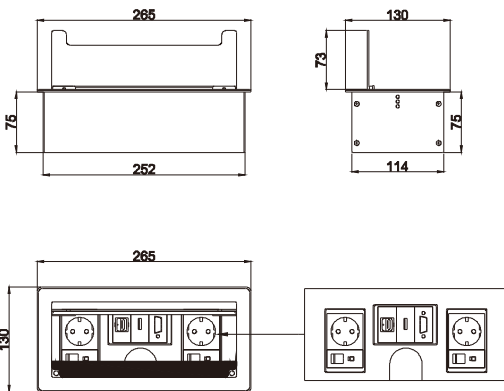
1. This hidden structure provides the user with a compact, clean and convenient connectivity solution;
2. Made from die-casting aluminum alloy and painted ;
3. Manually open with slower flip up from single side;
4. With brush to protect cables from scratch;
5. Applicable for wide international 45\*45mm modules including power and internet data accessories to meet requirement.

## Technical Parameters :

Parameter	Description
Panel Material	Aluminum alloy
Surface finish	Electroplated/Painted/Power sprayed
Panel Dimension(mm)	265*130
Cutout(mm)	254*116
Height of product(mm)	75
Bottom box size(mm)	252*114
Bottom box material	Plastic
Capacity of modules / Interface size	9 ways 45*45mm modules
Configuration	Power outlet+Data outlet or USB charging : Customized as required
Cable length	1.5m, 2m,2m or required length

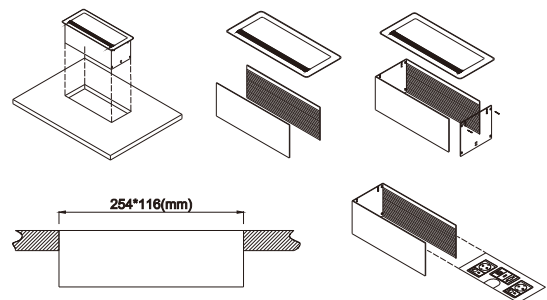


## Outline Drawing: Unit:mm



## Installation Guide

1. Before installation, please tapping the table-board which is asked to install according to related product specification. (unit:mm)
2. Load the function key panel into a base box.
3. Mounting the panel and bottom box
4. Mounting the surrounding bottom box with eight screws
5. Place the product in a pre-opened table top



(Image is for reference only.)

Package:2 Pcs inner box into a master carton.Poly bag with box packing.

# FZ-522



Floor Socket

Desktop Socket

Switch

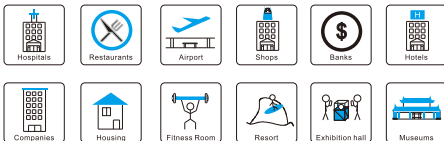
Accessories

## Features:

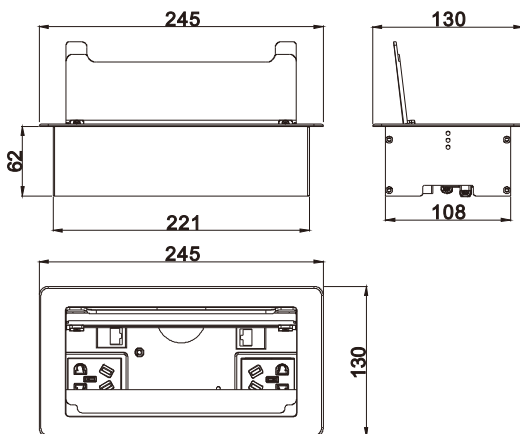
1. This hidden structure provides the user with a compact, clean and convenient connectivity solution;
2. Made from die-casting aluminum alloy and painted ;
3. Manually open with slower flip up from single side;
4. With brush to protect cables from scratch;
5. Applicable for wide international 45\*45mm modules including power and internet data accessories to meet requirement.

## Technical Parameters :

Parameter	Description
Panel Material	Aluminum alloy
Surface finish	Electroplated/Painted/Power sprayed
Panel Dimension(mm)	245*130
Cutout(mm)	223*110
Height of product(mm)	62
Bottom box size(mm)	221*108
Bottom box material	ABS Plastic
Capacity of modules / Interface size	9 ways 45*45mm modules
Configuration	Power outlet+Data outlet or USB charging : Customized as required
Cable length	1.5m, 2m,2m or required length

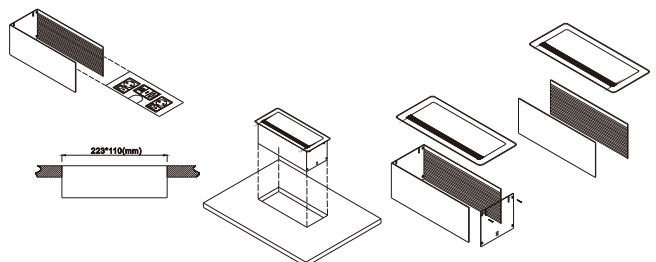


## Outline Drawing: Unit:mm



## Installation Guide

1. Remove the panel from the bottom box along with the electrical modules.
2. Fix the flooring with spare screws on the bottom box and place it in the embedded hole.
3. The flooring surface shall be at least level with the ground or 20mm below the ground.
4. Remove flooring surface ,Insert the 10--12mm lead head into the terminal of floor box.
5. Fix the panel to the bottom box with screws.



(Image is for reference only.)

Package:2 Pcs inner box into a master carton.Poly bag with box packing.



Floor Socket

Desktop Socket

Switch

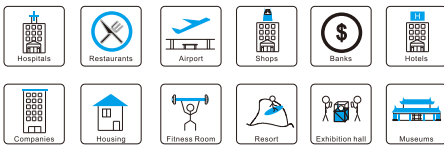
Accessories



FZ-525

### Features:

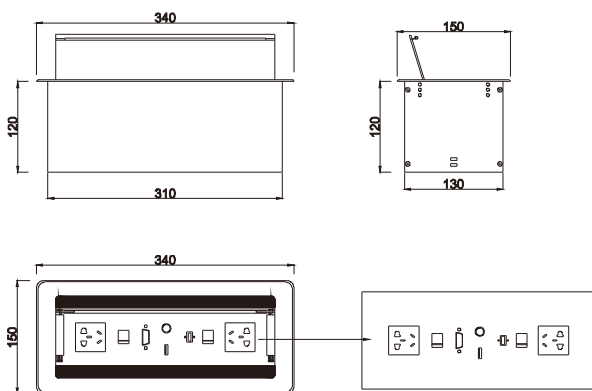
1. home/office/hotels/libraries/training rooms/meeting rooms and conference halls multi-media networking system.
2. Installation way: The embedded installation desktop socket.
3. Opening way: manually can be slowly open up from both sides; with on/off switch.
4. The hidden desktop socket provides a compact, beautiful desktop signal connection solution for the user.
5. The length of product & cord cable are customized by requirement; Support wide range of power and data accessories available to meet all requirement.



### Technical Parameters :

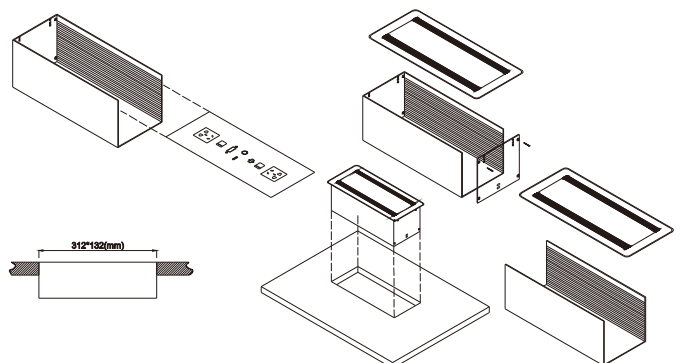
Parameter	Description
Panel Material	Aluminum alloy
Surface finish	Electroplated/Painted/Power sprayed
Panel Dimension(mm)	340*150
Cutout(mm)	312*132
Bottom box size(mm)	310*130*120
Bottom box material	Plastic
Capacity of modules / Interface size	8 ways 45*45mm modules
Configuration	Power outlet+Data outlet or USB charging : Customized as required
Cable length	1.5m, 2m,2m or required length

### Outline Drawing: Unit:mm



### Installation Guide

1. Before installation, please tapping pore on the table-board which is asked to install according to related product specification. (unit:mm)
2. Load the function key panel into a base box.
3. Mounting the panel and bottom box
4. Mounting the surrounding bottom box with eight screws
5. Place the product in a pre-opened table top



(Image is for reference only.)

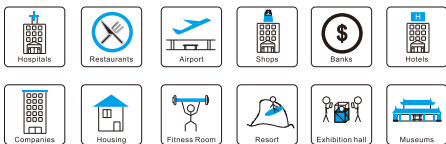
Package: 2 Pcs inner box into a master carton. Poly bag with box packing.



# FZ-528

## Features:

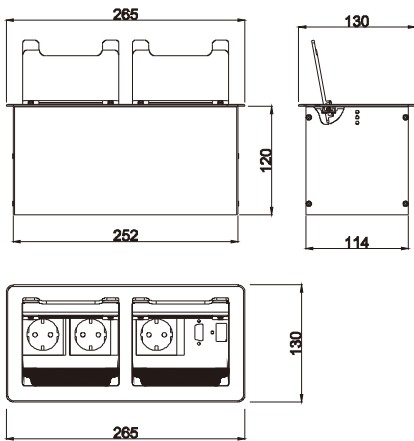
1. This hidden structure provides the user with a compact, clean and convenient connectivity solution;
2. Made from die-casting aluminum alloy and painted;
3. Manually open with slower flip up from single side;
4. With brush to protect cables from scratch;
5. Applicable for wide international 45\*45mm modules including power and internet data accessories to meet requirement.



## Technical Parameters :

Parameter	Description
Panel Material	Aluminum alloy
Surface finish	Electroplated/Painted/Power sprayed
Panel Dimension(mm)	265*130
Cutout(mm)	254*116
Height of product(mm)	120
Bottom box size(mm)	252*114
Bottom box material	ABS Plastic
Capacity of modules /Interface size	8 ways 45*45mm modules
Configuration	Power outlet+Data outlet or USB charging : Customized as required
Cable length	1.5m, 2m,2m or required length

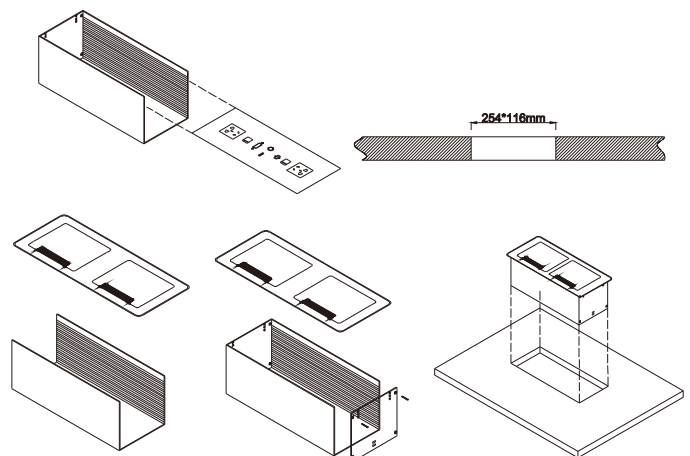
## Outline Drawing: Unit:mm



(Image is for reference only.)

Package:2 Pcs inner box into a master carton.Poly bag with box packing.

## Installation Guide





Floor Socket

Desktop Socket

Switch

Accessories

# FZ-561

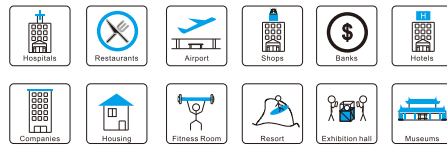


## Features:

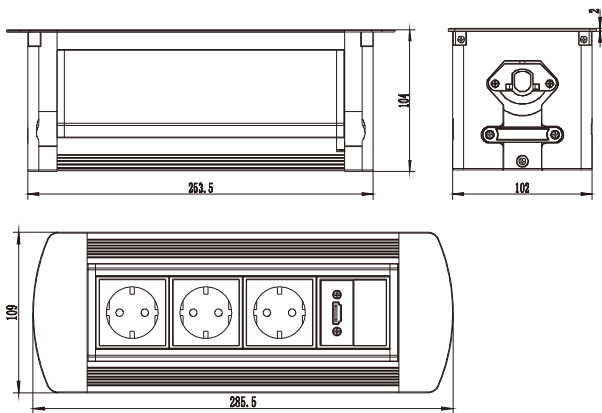
1. Application to furniture, conference tables, workstations, hotel room, healthcare settings, training and educational applications
2. In the closed position, the socket is flush with furniture and prevent accidental spillage of fluids into electrical socket/outlets;
3. Have photoelectric lock of detector and emitter that prevents the sockets from closing when anything is plugged into unit.
4. The socket will rotate to the open position automatically so that facilitate installation of the unit;

## Technical Parameters :

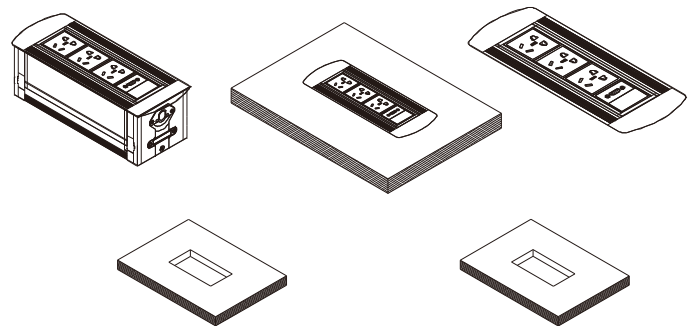
Parameter	Description
Panel Material	Aluminum alloy+PC
Panel Dimension(mm)	405*110*103
Capacity of modules /Interface size	10 ways 45*45mm modules
Cable length	1 M cord with chuko standard plug; This configurations and length of wire is customization
Electrical rating	220V/50HZ or 120V/60HZ



## Outline Drawing: Unit:mm



## Installation Guide



(Image is for reference only.)  
Package: Poly bag with box packing.





**FZ-PFB01**

Floor Socket

Desktop Socket

Switch

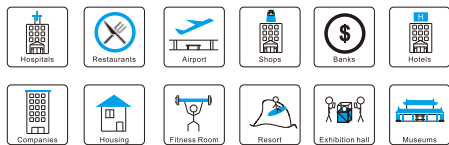
Accessories

**Features:**

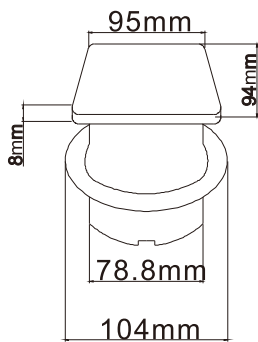
- 1.Application: Embedded in Sofa or table furniture;
- 2.IP44 protection level;
- 3.Slide coverplate surface finish by Power painting;
- 4.With two power outlet+dual port USB charger

**Technical Parameters :**

Parameter	Description
Panel Material	PC
Bottom box Material	Engineering PC
Panel Dimension(mm)	95*94
Cutout(mm)	Ø80
Capacity of modules / Interface size	With two power outlet+dual port USB charger 2.1A
Cable length	1,2 Mts cable 100% cooper with plug is optional

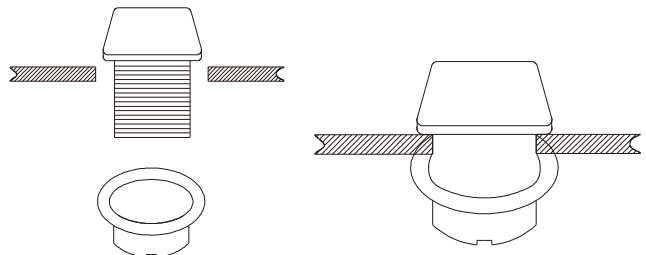


**Outline Drawing:** Unit:mm



**Installation Guide**

- 1.Cut out  $\phi 80$ mm.
- 2.Rotate the mounting ring thread first and remove it.
- 3.Put the product into the opened hole.
- 4.Rotate and tighten the mounting ring thread and secure the product to the table.



(Image is for reference only.)  
Package:Poly bag with box packing.

# FZ-507

Floor Socket

Desktop Socket

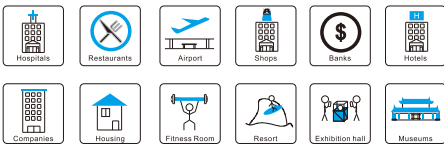
Switch

Accessories



## Features:

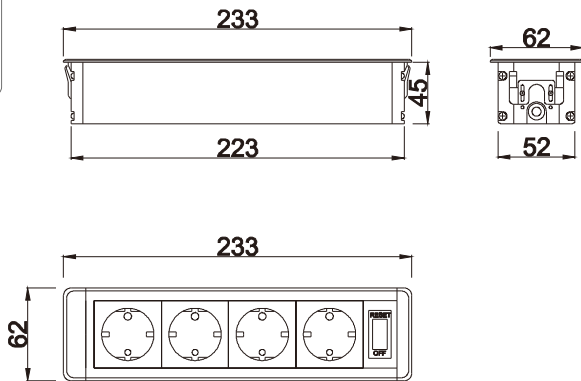
1. Double function switch combine indicator and control;
2. Wall mounting facility is optional;
3. Support wide range of power and data accessories available to meet all requirements;
4. The length of product & cord cable are customized by requirement.



## Technical Parameters :

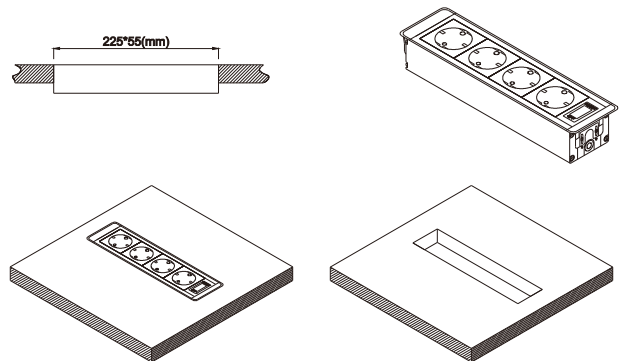
Parameter	Description
Panel Material	Aluminum alloy/steel
Surface finish	Painted/Brushed Oxygenated
Power bar Dimension(mm)	233*62
Base box (mm)	223*52*45
Capacity of modules / Interface size	Max.8 ways 45*45mm modules
Configuration	Power outlet+Data outlet or USB charging +HDMI+VGA+Audio socket : Customized as required
Cable length	1.5m, 2m,3m or required length
Available modules	45*45mm Type series

## Outline Drawing:



## Installation Guide

1. First, make holes in the table according to the appropriate size
2. Put the product into the cutting hole.



(Image is for reference only.)  
Package: Poly bag with box packing.

# FZ-508



Floor Socket

Desktop Socket

Switch

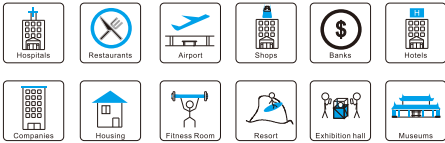
Accessories

## Features:

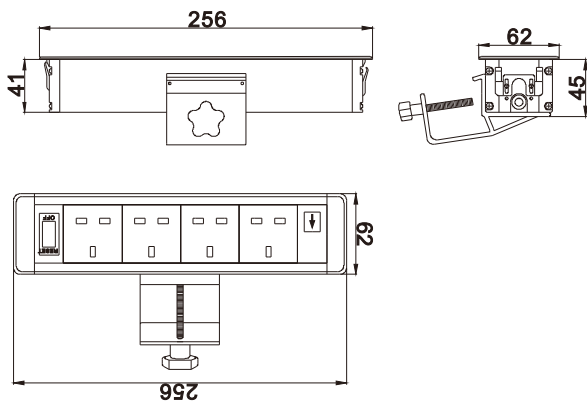
1. Easy to plug to connect socket as 45 degree side angle
2. Easily screw up way fixing;
3. Support wide range of power and data accessories available to meet all requirements;
4. The length of product & cord cable are customized by requirement.

## Technical Parameters :

Parameter	Description
Panel Material	Aluminum alloy/steel
Surface finish	Painted/Brushed Oxygenated
Cover Dimension(mm)	256*60*45
Width (mm)	60
Capacity of modules / Interface size	Max.9ways 45*45mm modules
Configuration	Power outlet+Data outlet or USB charging + HDMI + VGA +Audio socket : Customized as required
Cable length	1.5m, 2m,3m or required length
Available modules	45*45mm /45*22.5mm Type series

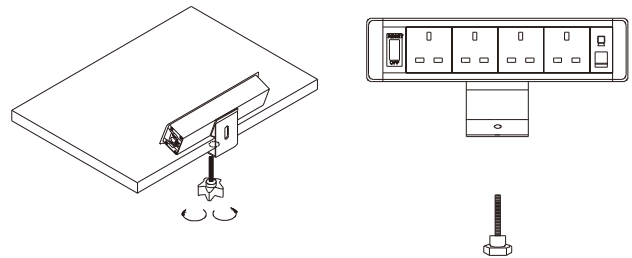


## Outline Drawing: Unit:mm



## Installation Guide

1. Installing Heavy current/Data systems
2. Interconnection
3. Installing the product to table Tightening by five-star wrench



(Image is for reference only.)  
Package: Poly bag with box packing.



# FZ-TB-B

Floor Socket

Desktop Socket

Switch

Accessories

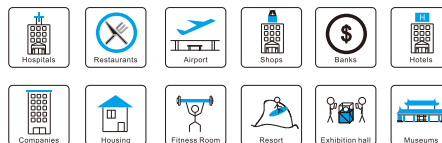


## Features:

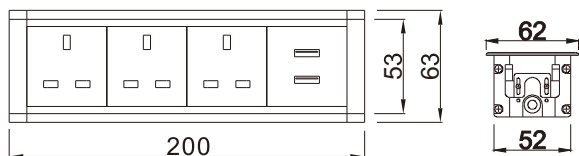
1. Double function switch combine indicator and control;
2. Wall mounting facility is optional;
3. Support wide range of power and data accessories available to meet all requirements;
4. The length of product & cord cable are customized by requirement.

## Technical Parameters :

Parameter	Description
Panel Material	Aluminum alloy/steel
Surface finish	Painted/Brushed Oxygenated
Capacity of modules /Interface size	45*45mm modules
Cable length	1.5m, 2m,3m or required length
Available modules	2 power socket+ dual port USB charger 2.1A
Plug and cable wire	GST 3 pole socket or power plug cable

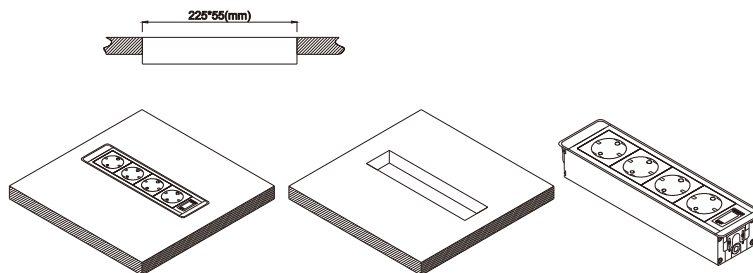


## Outline Drawing: Unit:mm



## Installation Guide

1. First, make holes in the table according to the appropriate size
2. Put the product into the cutting hole.



(Image is for reference only.)  
Package: Poly bag with box packing.

# FZ-551



Floor Socket

Desktop Socket

Switch

Accessories

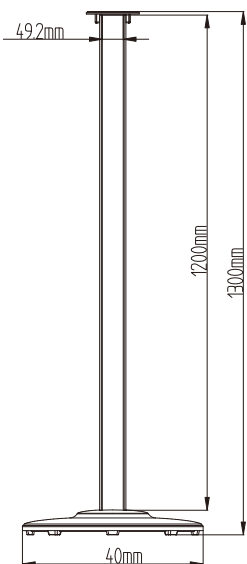
## Features:

1. Simplicity: The column is secured to the ceiling or floor by pressure, no need for screwing to the ground or the ceiling.
2. Installation mobility: The columns are secured by pressure on the floor. They do not have to be bolted to the floor, therefore very easy to reconfigure the distribution of workplaces.
3. Compact: The mini-columns are supplied all necessary materials for installation: foot for floor attachment, top and side covers and fastenings.
4. Customization solution: Flush-mount power supply or power supply through floor trunking are optional;
5. 1 side power supply;

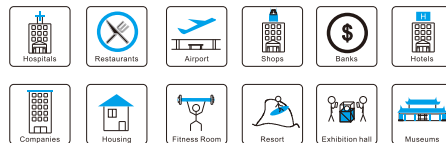
## Technical Parameters :

Parameter	Description
Power supply side	Single side
Panel Material	Aluminum alloy
Surface finish	Painted/Brushed Oxygenated
Height of product(mm)	1300 for FZ-551
Capacity of modules	Customized
Configuration	Power outlet+Data outlet or USB charging+HDMI+VGA+Audio socket : Customized as required
Available modules	(45*45/45*22.5)mm Type series

## Outline Drawing: Unit:mm



(Image is for reference only.)  
Package: Poly bag with box packing.



# FZ-520

Floor Socket

Desktop Socket

Switch

Accessories

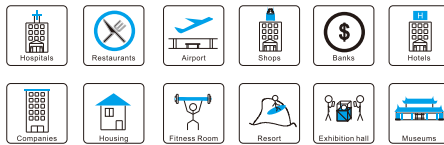


## Features:

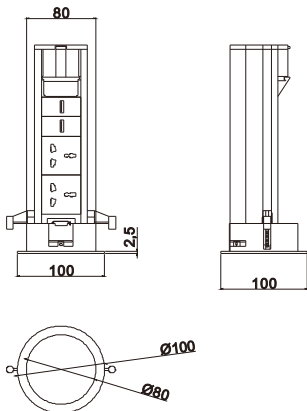
- 1.Connection is simple and made on the Mini-columns in upper position . The unit is then hidden under the desktop, enabling the modules to come out push& pull the opening.
- 2.Pre-configured modles are supplied with electrical bases assembly of 45\*45mm modules direct clipping for easier installation. In this way, the Mini-columns can be installed on the table and connected directly to the nearest work post without the need for preliminary cabling.
- 3.Enables the connection of 4 to 8 modules.
- 4.Fast open push & pull system.
- 5.Suitably installed into 80mm grommet hole;

## Technical Parameters :

Parameter	Description
Material	Zinc Alloy/Steel
Panel Material	Aluminum alloy/PC plastic
Surface finish	Painted/Oxygenated
Panel Dimension(mm)	φ100
Cutout(mm)	φ80
Dimension of product(mm)	195~330
Capacity of modules / Interface size	4~10 ways 45*45mm modules
Configuration	Power outlet+Data outlet or USB charging : Customized as required
Cable length	1.5m, 2m,3m or required length
Available modules	45*45mm Type series



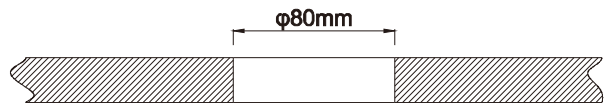
## Outline Drawing: Unit:mm



(Image is for reference only.)

Package:8 Pcs inner box into a master carton.Poly bag with box packing.

## Installation Guide





# FZ-526

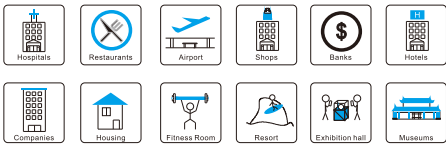


## Features:

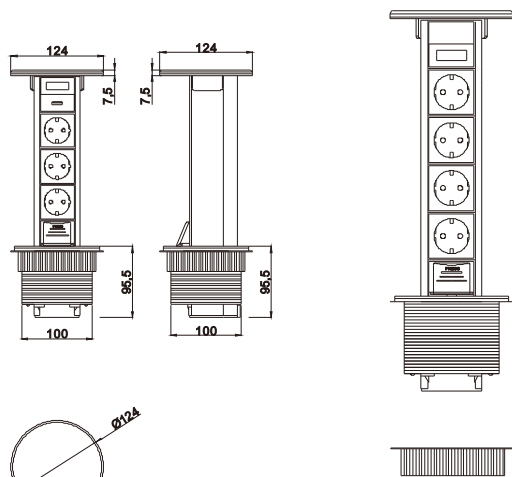
- Upside-down installation possible. Connection is simple and made on the pop up socket in upper position. The unit is then hidden under the desktop, enabling the modules to come out push& pull the opening.
- Enables the connection of 8 modules.
- Suitably installed into 120mm grommet hole.
- Casting made from aluminum and solid plastic.
- Suitable for desk tops up to 50mm;
- Coming with hardwired starter- or interlink cable. Also available with 2.5mm internal wiring.

## Technical Parameters :

Parameter	Description
Material	Aluminum 6063, PC zinc alloy
Panel Material	Stainless/Brass
Surface finish	Painted/Oxygenated
Panel Dimension(mm)	φ124
Cutout(mm)	Φ102
Dimension of product(mm)	380
Capacity of modules /Interface size	8 ways 45*45mm modules
Configuration	Power outlet+Data outlet or USB charging : Customized as required
Cable length	1.5m, 2m,3m or required length
Available modules	45*45mm Type series



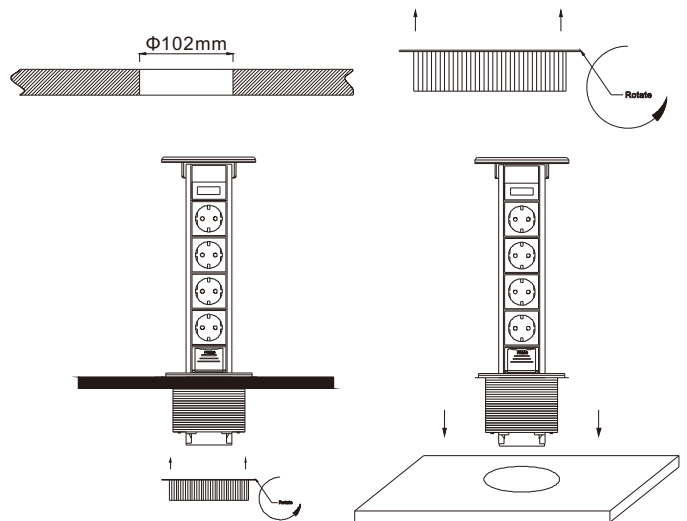
## Outline Drawing: Unit:mm



(Image is for reference only.)

Package:6 Pcs inner box into a master carton.Poly bag with box packing.

## Installation Guide



# FZ-531

Floor Socket

Desktop Socket

Switch

Accessories

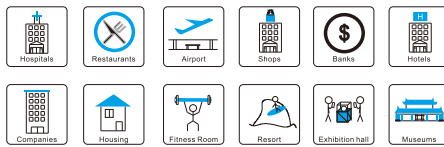


## Features:

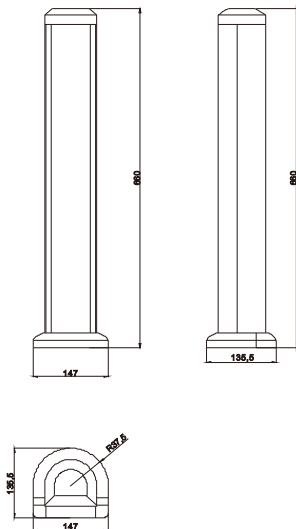
1. Simplicity: The column is secured to the ceiling or floor by pressure, no need for screwing to the ground or the ceiling.
2. Installation mobility: The columns are secured by pressure on the floor. They do not have to be bolted to the floor and it is therefore very easy to reconfigure the distribution of workplaces.
3. Compact: The mini-columns are supplied all necessary materials for installation: foot for floor attachment, top and side covers and fastenings.
4. Customization solution: Flush-mount power supply or power supply through floor trunking are optional; two shape of oval or square is optional; different configuration and electrical sockets and plates is optional;
5. 1 side power supply;

## Technical Parameters :

Parameter	Description
Power supply side	Single side
Panel Material	Aluminum alloy
Surface finish	Painted/Brushed Oxygenated
Height of product(mm)	350 for FZ-531A
Height of product(mm)	660 for FZ-531B
dimension (mm)	R73.5*147*135.3
Capacity of modules	45*45mm modules
Configuration	Power outlet+Data outlet or USB charging +HDMI+VGA+Audio socket : Customized as required
Available modules	45*45mm Type series



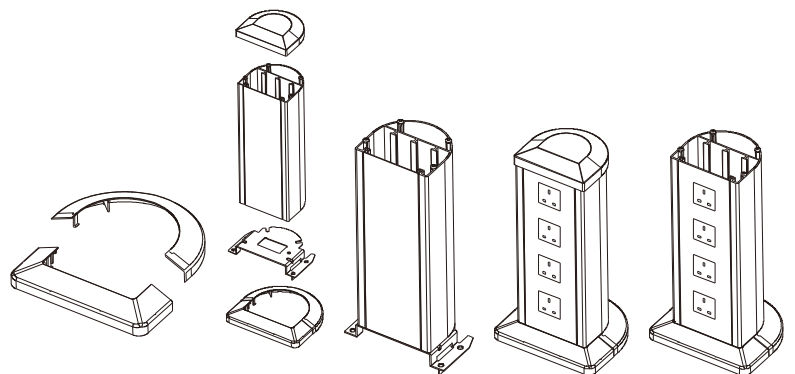
## Outline Drawing: Unit:mm



(Image is for reference only.)

Package:6 Pcs inner box into a master carton.Poly bag with box packing.

## Installation Guide



# FZ-532



Floor Socket

Desktop Socket

Switch

Accessories

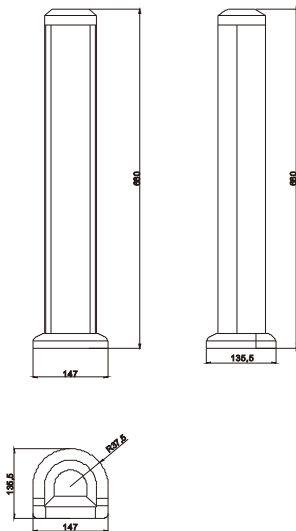
## Features:

1. Simlicity: The column is secured to the ceiling or floor by pressure , no need for screwing to the ground or the ceiling.
2. Installation mobility: The columns are secured by pressure on the floor. They do not have to be bolted to the floor and it is therefore very easy to reconfigure the distribution of workplaces.
3. Compact: The mini-columns are supplied all necessary materials for installation: foot for floor attachment, top and side covers and fastenings.
4. Customization solution: Flush-mount power supply or power supply through floor trunking are optional; two shape of oval or square is optional;different configuration and electrical sockets and plates is optional;
5. 2 side( Rear face& front face) power supply;

## Technical Parameters :

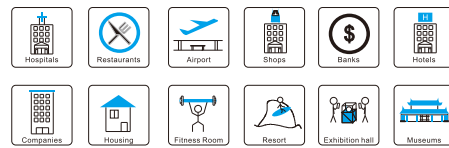
Parameter	Description
Brand	Safewire
Item	FS-532A/B-D
Side for power supply	Two side
Panel Material	Aluminum alloy
Surface finish	Painted/Brushed Oxygenated
Height of product(mm)	350 for FZ-532A
Height of product(mm)	660 for FZ-532B
dimension (mm)	R73.5*147*135.3
Capacity of modules	45*45mm modules
Configuration	Power outlet+Data outlet or USB charging +HDMI+VGA+Audio socket : Customized as required

## Outline Drawing: Unit:mm



(Image is for reference only.)

Package:6 Pcs inner box into a master carton.Poly bag with box packing.



## Installation Guide

