



Floor Socket

Desktop Socket

Switch

Accessories

Features:

1. Plastic Material Bayer 2805 PC(UL94V-0)
2. Shutter door type: The shutter can be open only by neutral insertion of neutral and live lines, which can prevent accidental electric shock . The single pole can bear max 4KGF pressure;
3. Inserts inside: Using 0.6mm thickness elastic phosphor copper avoids playing spark plug and plug set to bit dead ,ensure high conductivity and more life of pulling and plugging over 15000 times.
4. Switch materials :Using silver-tin alloy or silver-nickel contacts, to strengthen conductivity of the switch;
5. More safety double pole: Socket with double pole auto switch type;
6. IEC60884 standard technical: Power socket technical conditions as IEC60884 standard: Insulation strength as 100M Ω Min, test voltage as AC 2000V/Minute; contact Resistance: 50MΩ Max, Electronical life over 10000 min;
7. International standard modules size: Outer size as 45*45mm or 45*22.5mm international standard as Legrand's Mosaic series.
8. Easy-install modules design: One side two clip, four direction clip type;
9. Fast wiring: Screw type for fast wiring to save labor cost.

45×45mm Module as Specification Legrand's Mosaic Series

Product Picture	Item	Size (mm)	Description	Material	Product Picture	Item	Size (mm)	Description	Material
	F2	22.5x45	2 pin socket, 10A, 250V	Polycarbonate		F3	45x45	3 pin 10A, 220V;	Polycarbonate
	F4	45x45	3 pin multi function socket of 90 degree angle, 10A, 250V	Polycarbonate		F5	45x22.5	Swiss socket, 10A, 250V	Polycarbonate
	F6	45x45	Israel socket, 16A, 250V	Polycarbonate		F8	22.5x45	USB charging, single port output 5VDC 2.1A, maximum charging current 1*2100mA, screw terminal, Support YD/T1591-2009, BC1.2, Apple and Samsung phone and IPAD.	Polycarbonate
	F9	45x45	USB charging, dual port output 5VDC 2.1A, maximum charging current 1*2100mA, screw terminal, Support YD/T1591-2009, BC1.2, Apple and Samsung phone and IPAD.	Polycarbonate		F11	45x45	BS socket, 13A, 250V; 2P+E with shutters socket;	Polycarbonate
	F15	45x45	European socket (Schuko), 16A, 250V, Angle 0 degree or 90 degree, 2P+E with shutter socket, screw terminals;	Polycarbonate		F16	45x45	French Socket, 16A, 250V	Polycarbonate
	F18	45x45	American socket, 16A, 250V; 2P+E with shutters socket;	Polycarbonate		F21	22.5x45	Cat 5e RJ45 socket with shutter;	Polycarbonate

Floor Socket

Desktop Socket

Switch

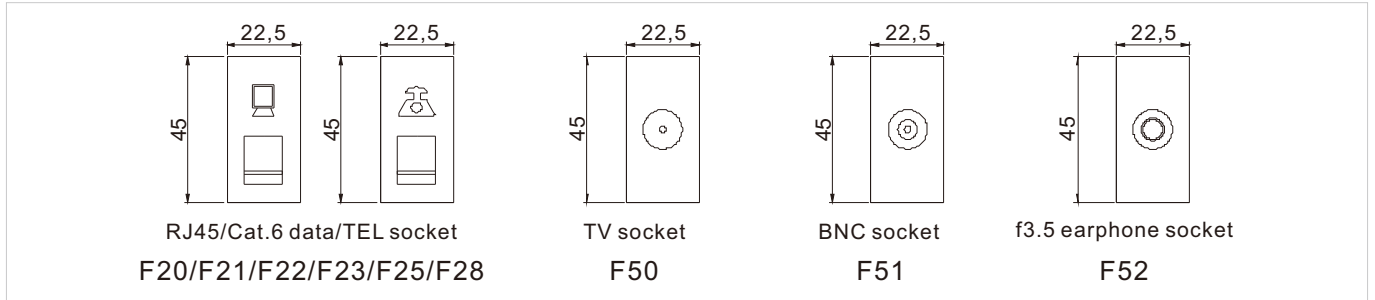
Accessories

Product Picture	Item	Size (mm)	Description	Material	Product Picture	Item	Size (mm)	Description	Material
	F21B	22.5x45	Cat 6 RJ45 socket with shutter;	Polycarbonate		F23	22.5x45	RJ11 Telephone socket with shutter, regular with 4 contact pins. 2 contact pins and 6 contact pins should be customization production.;	Polycarbonate
	F50	22.5x45	Single male TV socket;	Polycarbonate		F51	22.5x45	BNC socket	Polycarbonate
	F52	22.5x45	Φ3.5 earphone for audio/video connector, screw terminals	Polycarbonate		F53	22.5x45	DIN(eight pins)	Polycarbonate
	F55	22.5x45	Audio socket provide the stereo audio connect for device such as DVD drive, camera etc.;	Polycarbonate		F56	22.5x45	Video socket provide the video connect for device such as DVD drive, camera etc.;	Polycarbonate
	F58	22.5x45	Sound socket provide the stereo audio connect for device such as DVD drive, camera etc.;	Polycarbonate		F59	22.5x45	USB for data 2.0, screw terminal	Polycarbonate
	F60	22.5x45	Male Kalon socket, soldering connection	Polycarbonate		F62	22.5x45	Speaker socket, soldering connection;	Polycarbonate
	F65	22.5x45	15 Pins VGA (male type), RS232 socket, soldering connection	Polycarbonate		F66	22.5x45	15 Pins VGA (female type); RS232 socket, soldering connection	Polycarbonate
	F67	22.5x45	9 Pins VGA (male type), RS232 socket, soldering connection	Polycarbonate		F68	22.5x45	9 Pins VGA (female type); RS232 socket, soldering connection	Polycarbonate
	F69	22.5x45	HDMI, single HDMI socket with protective plug, 1 module size	Polycarbonate		F71	22.5x45	S terminal; soldering connection	Polycarbonate
	F81	45x22.5	2 way curve switch, 10A, 250V	Polycarbonate		F83	45x45	2 way switch, 10A, 250V	Polycarbonate
	F70	22.5x45	Empty plate; material: Polycarbonate; color:white	Polycarbonate		F80	45x22.5	1 way switch, 10A, 250V	Polycarbonate
	F82	45x45	1 way switch, 10A, 250V	Polycarbonate					

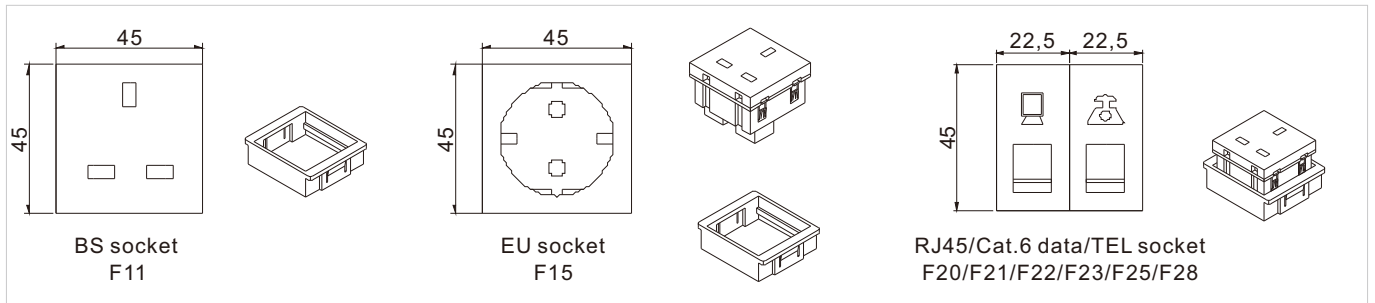
4. 45×45mm Legrand's Mosaic Series Module

Product mix

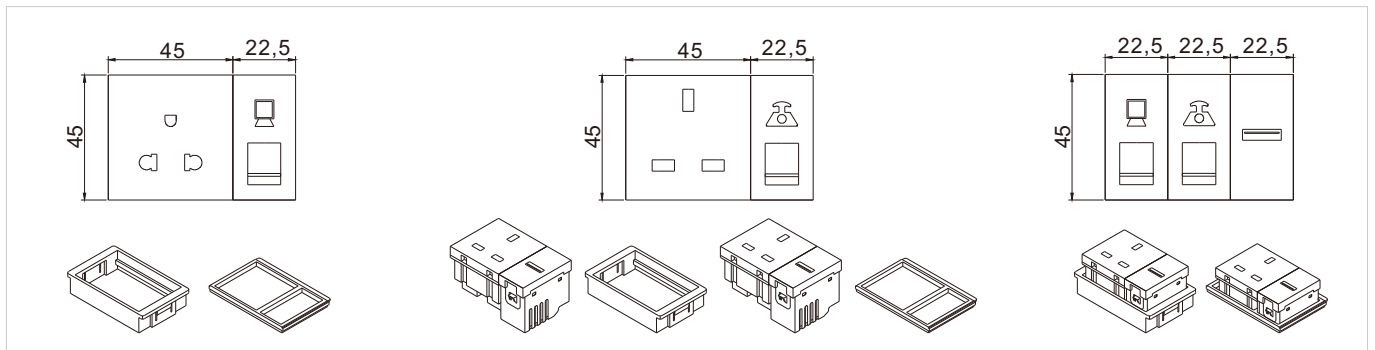
1 way



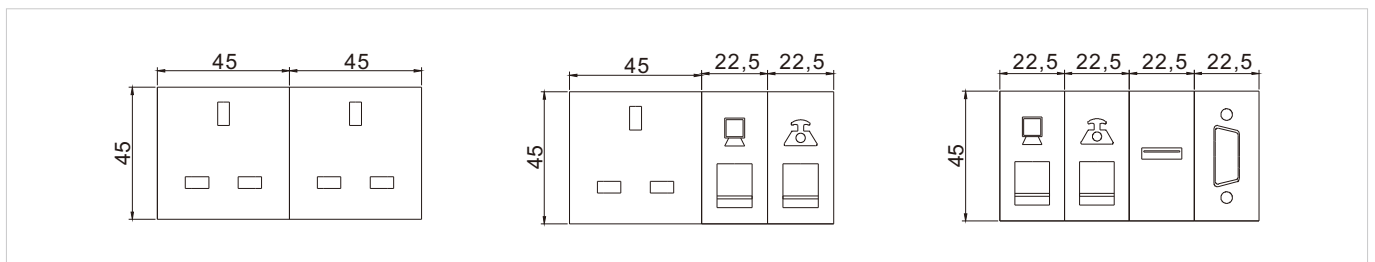
2 way



3 way



4 way



Floor Socket

Desktop Socket

Switch

Accessories

Sink Box

Floor Socket

HTD-100LH



100X100X50mm

HTD-120JH



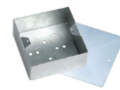
120X120X60mm

HTD-200JH



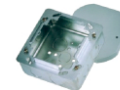
100X200X55mm

HTD-100JH



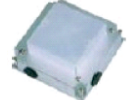
100X100X55mm

HTD-122JH



122X122X58mm

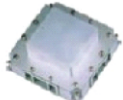
HTD-122LH



122X122X60mm

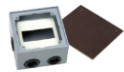
Desktop Socket

HTD-160LH-50F



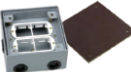
160X160X60mm

HTD-110JH



110X110X75mm

HTD-135JH



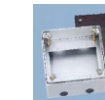
135X135X75mm

HTD-170JH



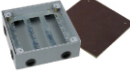
170X170X75mm

HTD-170JHA



170X170X90mm

HTD-190JH



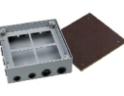
190X190X75mm

HTD-190JHA



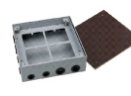
190X190X90mm

HTD-230JH



230X230X75mm

HTD-230JHA



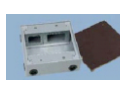
230X230X90mm

HTD-290JH



290X140X75mm

HTD-190CJH



190X190X75mm

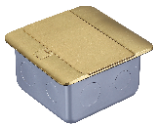
HTD-240CJH



240X170X75mm

Color Sample (Remark: or refer to RAL or Pantone)

Switch



Br: Brass H62

Color:



P: stainless 304

Color:



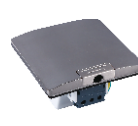
L: aluminum alloy

Color:



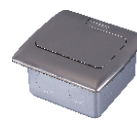
Ch: chrome

Color:



NK: nickel

Color:



ZI: zinc

Color:



Pb: powderpeal black

Color:



BZ: bronze

Color:

Accessories

Plate



2 way single socket plate
SAB86×86



2 way single socket plate
SAB86×146



Desktop plate
SADF01



Twin switch socket plate
SAP01



4 way perella data plate
SAP02



Blank plate
SAP03



RJ45 Patch Cord In Yellow Color



RJ45 Patch Cord In Gray Color



RJ45 Patch Cord In Blue Color



RJ45 Patch Cord In Green Color



SC-SC Single-mode Patch Cord



SC-SC Multi-mode Patch Cord



ST-ST Single-mode Patch Cord



FC-SC Single-mode Patch Cord



LC-LC Single-mode Patch Cord



single face plate



dual-port face plate



3-port face plate



4-port face plate



Nylon /stainless/cable tie

GUARANTEE OF AFTER-SALE SERVICE

Safewire Electric Co.,Ltd assure that our products are strictly in accordance with the ISO management system ,now we guarantee our products after-sale service as this following :

- 1 Our company guarantees that the products will be strictly inspected before shipped from factory and the QA rate of products will 100%.
- 2 Our company guarantees that within 1 year from date of receipt and finish installation if some problems occure, our company is responsible for replace free of charge.If beyond warranty period, we will provide you with corresponding paid services within a reasonable range.
- 3 Our electrical accessories is guaranteed to give satisfactory performance for life provided the following conditions exist.
 - a.The accessory has been properly installed by a competent person.
 - b.The accessory has been installed in accordance with the wiring regulations and amendments in force at the time of installation, and that it has not been tampered with or subjected to improper or abnormal use.
- 4.This following statitution will be paid service:.
 - * exceeding the warranty period;
 - * failure to provide purchase evidence/documents;
 - * damage caused by failure to use or repair the product as required in the product manual (pay special attention to water inspur into, damage by drop or other not right way by people);
 - * if the customer repairs or disassemblesby himself or by other person who not authorized by our company;
 - * damage caused by wiring with bad quality level communication cables;
 - * failureor damage of products caused by major force such as flood,fire,lightning, eather-quake etc.

When problems occur during the use of the product, our technical engineer will actively respond.Any problem of product quality ,our company will guarantee a clear reply or solution within reasonable time.

Remark: Safewire Electric Co.,Ltd reserves the right to modify, at any moment, in the consumer's best interests, the features and components of its products without prior notice.

Safewire Electric Co.,Ltd

