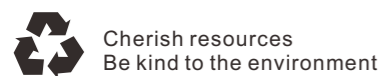


The company's products are innovated constantly , please subject to confirmation by samples from us. We can do customization of any configuration accordingly to the client requirement. More information, please contact us and ask for it.



Stock No.:870361



2018版

## Desk Socket Series

*Precision Manufacturing, Premium Collection*

### FEILIFU TECHNOLOGY CO.,LTD.

No.18 Chunhui middle road, Yong'an industrial zone, Xianju country, Taizhou city, Zhejiang province, China.

0576-87968888      0576-87960888

flifu@flifu.com      4008-117-887

www.feilifu.com



Wechat

## FEILIFU TECHNOLOGY CO.,LTD

## Precision Manufacturing , Premium Collection



Feilifu Technology Co.,Ltd. was established on Sep.2010 with capacity over RMB54.10 million and successfully listed on New Three Board on Jan.17th,2017.(Stock No.:870361 ) Our factory located in Xianju County , Zhejiang with over 30,000 square meters building areas and with over 300 employees including over 30 senior professional engineers. We engaged in the research , development, production, sales and service of floor boxes, desktop socket and wiring system etc.

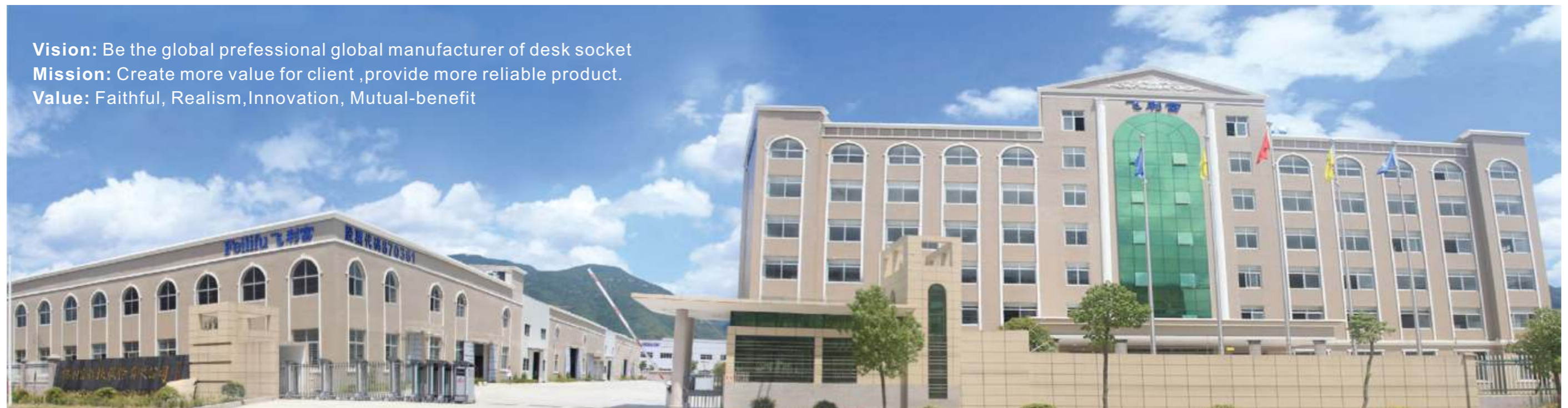
Our previous company as Zhejiang Hent Electrical Co.,Ltd. Established in 1998 is the crucial committee member of National standard of floor socket and table socket in China.Our factory was recognized through ISO9001,ISO14001, OHSAS18001 in this electric industry. After 20 years of continuous improvement and innovation, we obtained over 100 patents related to floor sockets and electrical sockets. These innovation such as waterproof, damping device and easy-installation structure etc. respected by our client and other partner in this industry.

Feilifu Technology Co.,Ltd. now offer reliable years warranty on all our products, covering parts and labor. We have built our reputation on this.A favourite with architects and building specifiers, our electric sockets are suited to domestic or commercial applications such as shopping centres, airports, conference halls, hotels, railway stations, health centres, sports centres, museums, terraces, gardens and kitchens.And exported products & service to Europ, Australia, Middle East and Southeast etc.

Feilifu Technology Co.,Ltd. embarked on the relentless pursuit of" Faithful, Realism,Innovation, Mutual-benefit" and provided OEM and ODM service for most worldwide Top 500 brands and leader brand of industry." Precision manufacturing, Premium collection" is our product belief.Every product carries our guarantee and service commitment to build our reputation on this. We commit to develop more new products and innovation as the leader of this industry and meet this requirement of intelligent building in the future.

Feilifu will be always with you to face more intelligent and humanization future!

**Vision:** Be the global professional global manufacturer of desk socket  
**Mission:** Create more value for client ,provide more reliable product.  
**Value:** Faithful, Realism,Innovation, Mutual-benefit





Certificate:  
ISO9001  
ISO14001  
OHSAS18001



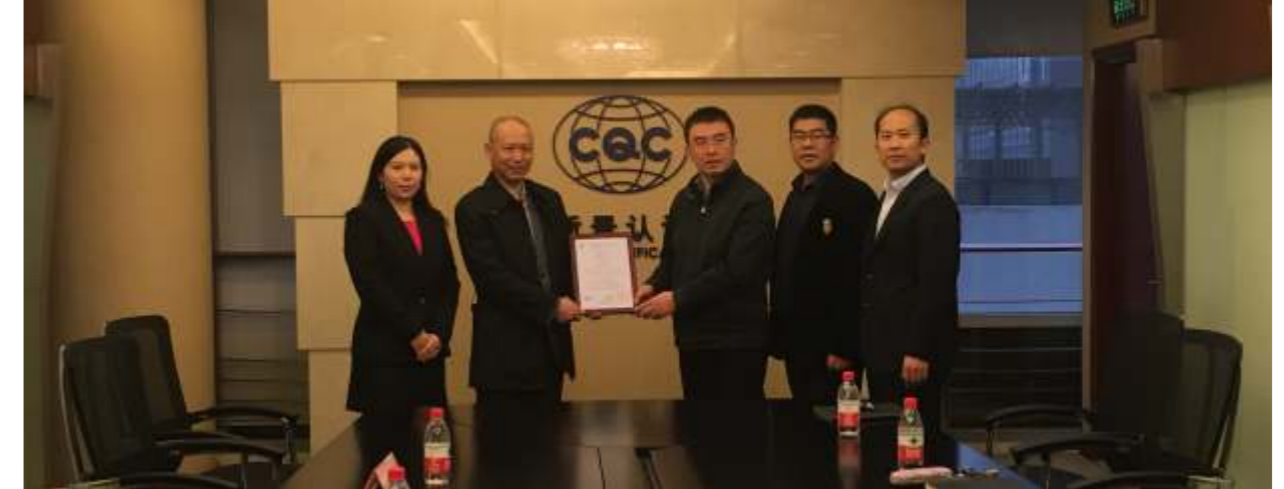
50  
Patents & Innovations



CCC Certificate



Company Awards



The first CCC certificate of desk socket with USB charger in China

**Precision manufacturing:** More advanced CNC machine and technical know-how ensure each of our product be art.

**Automatic machine:** gurantee each of our product high quality level and reliable performance.

**Effective team:** Scientific management and experienced skill ensure each product be art.

**Professional testing:** Precision equipment and professional standard ensure each product satisfy client.

**System presentation:** Present client with Feilifu's craftsman spirit and product



CNC Center



Auto Polishing Center



Painting Center



Assembling Center



Testing Center

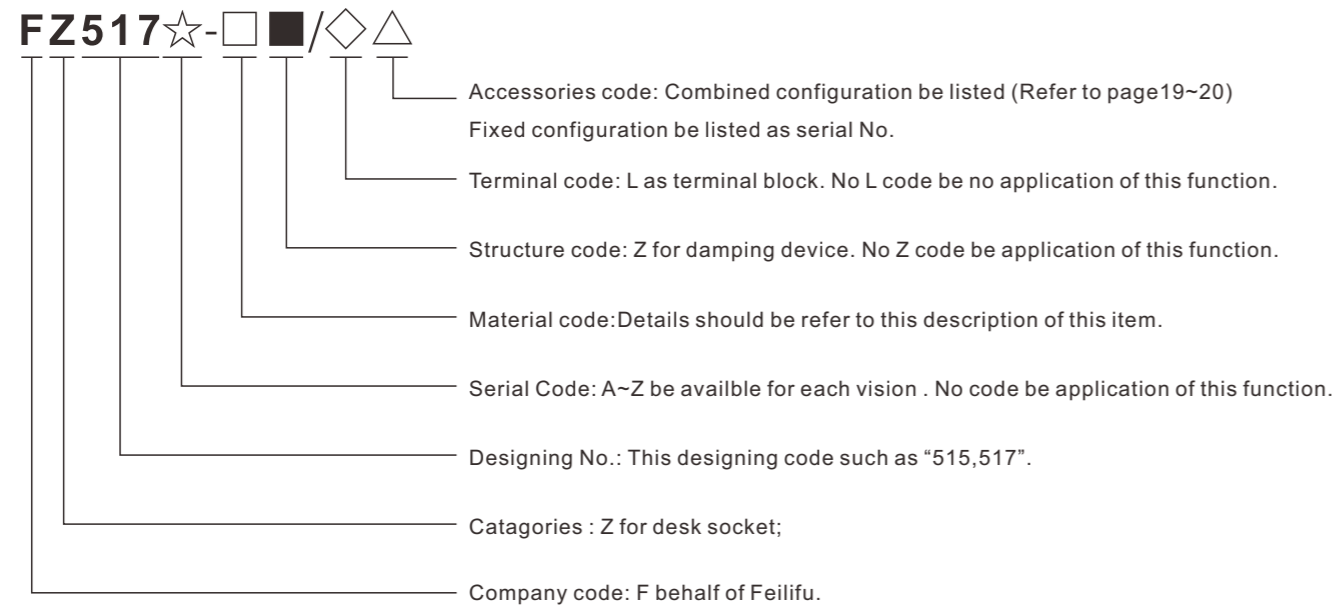


Showing Room

## Content

<b>Product Code</b>	01
<b>F Z501 Desk Socket</b>	02
<b>F Z502 Desk Socket</b>	03
<b>F Z505 Desk Socket</b>	04
<b>F Z515 Desk Socket</b>	05
<b>F Z517 Desk Socket</b>	06
<b>F Z518 Desk Socket</b>	07
<b>F Z510 Desk Socket</b>	08
<b>F Z521 Desk Socket</b>	09
<b>F Z522 Desk Socket</b>	10
<b>F Z525 Desk Socket</b>	11
<b>F Z528 Desk Socket</b>	12
<b>F Z536 Desk Socket</b>	13
<b>F Z507 Desk Socket</b>	14
<b>F Z508 Desk Socket</b>	15
<b>F Z520 Desk Socket</b>	16
<b>F Z526 Desk Socket</b>	17
<b>F Z531/FZ532 Pole</b>	18
<b>F Z551 Pole</b>	19
<b>45 Modules(45×45mm)</b>	20

### Description Of Item Number



### Sample Of Item Number:

F	Z	517-	□	/	△
Company Code	Desk Socket	Designing No.	Material Code N:Black D:Silver		Modules Code: F2F4 for F2+F4 2F2-F8 for 2F2+F8 No for not available

### FZ501 Desk Socket



FZ501-N/F6F11



FZ501-D/F6F8

Item No.	Picture With Configuration	Configuration
FZ501-D		3 Ways empty
FZ501-N		
FZ501-N/F6F11		1 Way 3Pin Socket+USB
FZ501-D/F6F8		1Way 5Pin Socket+USB

Brief Parameter	Dimension of Panel/Thickness	Φ110mm / 2.5mm
	Dimension of Box	Φ100×45mm
	Dimension of Cut-out	Φ102mm
	Electricity	Rated Electricity
Rated USB		Input :90~260V, 50~60Hz, Output :5V±5%V, 2.1A

Installation Drawing

Remark: To subject to confirmed by us if any parameter be changed.

### FZ502 Desk Socket



FZ502-N/01



FZ502-N/01F75



Item No.	Picture With Configuration	Configuration
FZ502-N/01		5Pin Socket (No wire)
FZ502-N/01F75		5Pin Socket (Wire 1.8m/3×0.75 Cable wire)

Brief Parameter	Dimension of Panel/Thickness	Φ75mm / 2.5mm
	Dimension of Box	Φ59×46mm
	Dimension of Cut-out	Φ60mm
	Rated Electricity	Ue: 250V~, Ie: 10A
Installation Drawing		

### FZ505 Desk Socket



FZ505-N/02



FZ505-N/02F75



Item No.	Picture With Configuration	Configuration
FZ505-N/02		5Pin Socket+1 Way USB (No wire)
FZ505-N/02F75		5Pin Socket+1 Way USB (Wire 1.8m/3×0.75 Cable wire)

Brief Parameter	Dimension of Panel/Thickness	Φ92mm / 2.5mm
	Dimension of Box	Φ79×46mm
	Dimension of Cut-out	Φ80mm
	Electricity	Rated Electricity
Rated USB		Input :90~260V, 50~60Hz, Output :5V±5%V, 2.1A
Installation Drawing		

Remark: To subject to confirmed by us if any parameter be changed.

## FZ515 Desk Socket



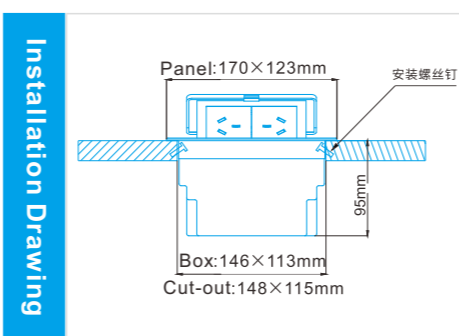
FZ515-D/2F8



FZ515-N

Item No.	Picture With Configuration	Configuration
FZ515-D		4 way without terminal block
FZ515-N		
FZ515-D/2F3		2 way 3 pin socket
FZ515-N/F8F9		1 way 5 pin socket+USB

Brief Parameter	Dimension of Panel/Thickness	170×123mm / 2.5mm
	Dimension of Box	146×113×97.6mm
	Dimension of Cut-out	148×115mm
	Electricity	Rated Electricity Ue: 250V~, Ie: 10A
	Rated USB	Input :90~260V, 50~60Hz, Output :5V±5%V, 2.1A

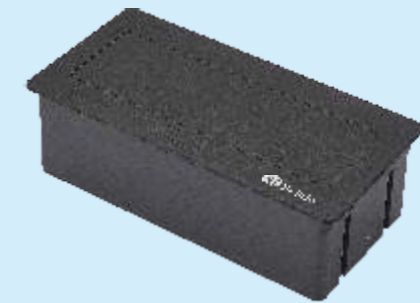


Remark: To subject to confirmed by us if any parameter be changed.

## FZ517 Desk Socket



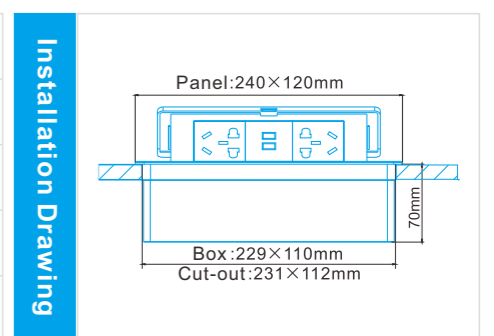
FZ517-D/2F8F9



FZ517-N

Item No.	Picture With Configuration	Configuration
FZ517-D		6 way without terminal block
FZ517-N		
FZ517-D/3F8		3 way 5 pin socket
FZ517-N/2F8F9		2 way 5 pin socket+USB

Brief Parameter	Dimension of Panel/Thickness	240×120mm / 2.5mm
	Dimension of Box	229×110×70mm
	Dimension of Cut-out	231×112mm
	Electricity	Rated Electricity Ue: 250V~, Ie: 10A
	Rated USB	Input :90~260V, 50~60Hz, Output :5V±5%V, 2.1A



Remark: To subject to confirmed by us if any parameter be changed.

## FZ518 Desk Socket



FZ518-D/2F6-2F8

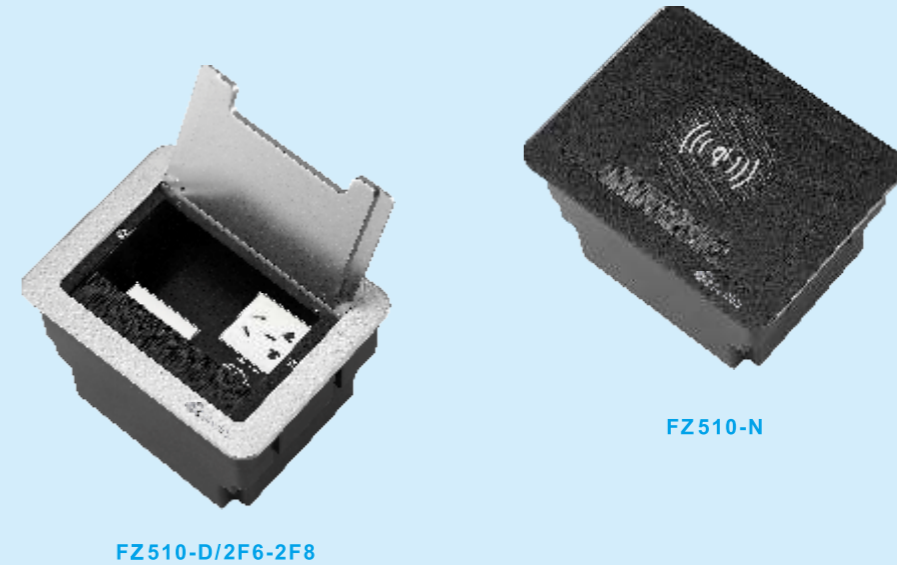
FZ518-N

Item No.	Picture With Configuration	Configuration
FZ518-D		6 way without terminal block
FZ518-N		
FZ518-D/2F6-2F8		2 way 5 pin socket+USB

Brief Parameter	Dimension of Panel/Thickness	194×140mm / 2.5mm	Installation Drawing 
	Dimension of Box	181.3×129.5×120mm	
	Dimension of Cut-out	183×132mm	
	Electricity	Rated Electricity Ue: 250V~, Ie: 10A	
	Rated USB	Input :90~260V, 50~60Hz, Output :5V±5%V, 2.4A	

Remark: To subject to confirmed by us if any parameter be changed.

## FZ510 Desk Socket



FZ510-D/2F6-2F8

FZ510-N

Item No.	Picture With Configuration	Configuration
FZ510-D		6 way without terminal block
FZ510-N		
FZ510-D/2F6-2F8		2 way 5 pin socket+USB
FZ510-N/2F6-2F8F80		2 way 5 pin socket+USB+wireless

Brief Parameter	Dimension of Panel/Thickness	165×125mm / 2.5mm	Installation Drawing 
	Dimension of Box	146×113×95mm	
	Dimension of Cut-out	148×115mm	
	Electricity	Rated Electricity Ue: 250V~, Ie: 10A	
	Rated USB	Input :90~260V, 50~60Hz, Output :5V±5%V, 2.1A	

Remark: To subject to confirmed by us if any parameter be changed.



### FZ521 Desk Socket



### FZ522 Desk Socket



Item No.	Picture With Configuration	Configuration
FZ521-D		9 way without terminal block
FZ521-N		
FZ521-D/3F2-3F3		3 way 2 pin + 3 way 3 pin
FZ521-N/3F2-2F3-F9		3 way 2 pin + 2 way 3 pin + USB

Item No.	Picture With Configuration	Configuration
FZ522-D		Empty
FZ522-N		
FZ5222-D/2F8F21F23F52 F62F65F69		2 way 5 pin + TELE + computer + audio + riedio + VGA+HDMI

Brief Parameter	Dimension of Panel/Thickness	265×130mm / 2.5mm	Installation Drawing 
	Dimension of Box	252×114×75mm	
	Dimension of Cut-out	254×116mm	
	Electricity	Rated Electricity Ue: 250V~, Ie: 10A Rated USB Input :90~260V, 50~60Hz, Output :5V±5%V, 2.1A	

Brief Parameter	Dimension of Panel/Thickness	245×130mm / 2.5mm	Installation Drawing 
	Dimension of Box	221×108×62mm	
	Dimension of Cut-out	223×110mm	
	Electricity	Rated Electricity Ue: 250V~, Ie: 10A Rated USB Input :90~260V, 50~60Hz, Output :5V±5%V, 2.1A	

Remark: To subject to confirmed by us if any parameter be changed.

Remark: To subject to confirmed by us if any parameter be changed.

### FZ525 Desk Socket

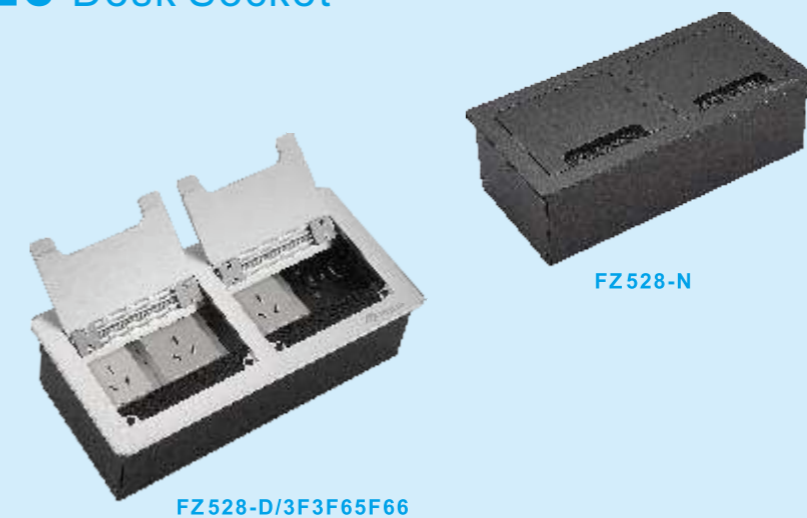


双向打开 (互锁连接)



发明专利、新型专利号：  
2018105221155 互锁连接机构及电源盒  
2018208007924 互锁连接机构及电源盒

### FZ528 Desk Socket



Item No.	Picture With Configuration	Configuration
FZ525-D		Empty
FZ525-N		
FZ525-D/F6-2F8F21F23 F56F65F69		2 way 5 pin + TELE + computer + VGA+HDMI +TV+USB+video

Brief Parameter	Dimension of Panel/Thickness	340×150mm / 2.2mm	Installation Drawing 
	Dimension of Box	310×130×120mm	
	Dimension of Cut-out	312×132mm	
	Electricity	Rated Electricity Ue: 250V~, Ie: 10A Rated USB Input :90~260V, 50~60Hz, Output :5V±5%V, 2.1A	

Remark: To subject to confirmed by us if any parameter be changed.

Item No.	Picture With Configuration	Configuration
FZ528-D		Empty
FZ528-N		
FZ528-D/3F3F65F66		3 way 3 pin + computer + VGA15 pin female + VGA15 pin male

Brief Parameter	Dimension of Panel/Thickness	365×130mm / 2.5mm	Installation Drawing 
	Dimension of Box	252×114×77mm	
	Dimension of Cut-out	254×116mm	
	Electricity	Rated Electricity Ue: 250V~, Ie: 10A Rated USB Input :90~260V, 50~60Hz, Output :5V±5%V, 2.1A	

Remark: To subject to confirmed by us if any parameter be changed.

### FZ536 Desk Socket



FZ536-S

FZ536-S/2F6-2F8

Item No.	Picture With Configuration	Configuration
FZ536-S		6 way without terminal block
FZ536-S/2F6-2F8		2 way 5 pin +USB

Brief Parameter	Dimension of Panel/Thickness	220×110mm / 2.2mm	Installation Drawing 
	Dimension of Box	200×86×76mm	
	Dimension of Cut-out	202×88mm	
	Electricity	Rated Electricity: Ue: 250V~, Ie: 10A Rated USB: Input :90~260V, 50~60Hz, Output :5V±5%V, 2.1A	

Remark: To subject to confirmed by us if any parameter be changed.

### FZ507 Desk Socket



FZ507A-D/3F8F75F81

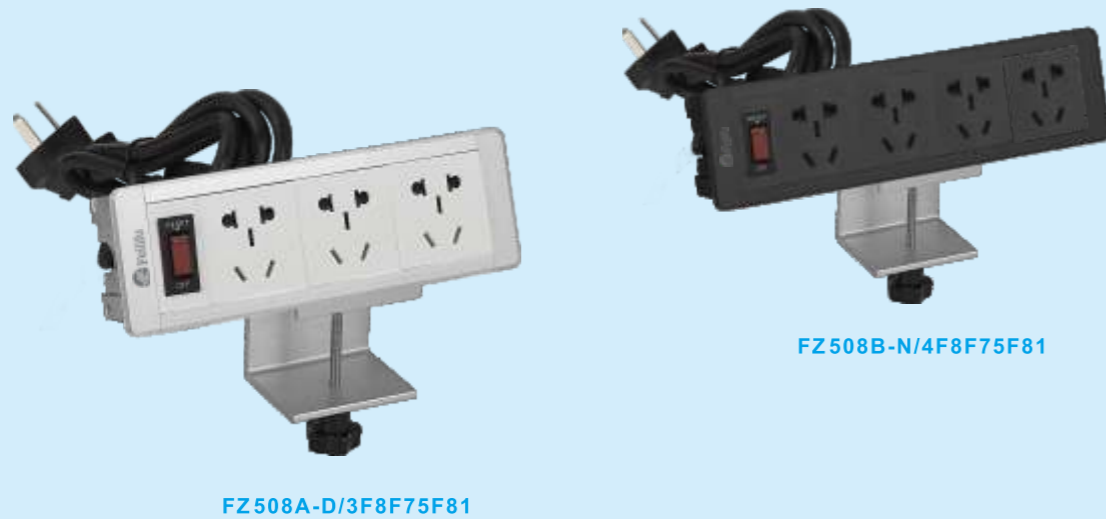
FZ507B-N/4F8F75F81

Item No.	Picture With Configuration	Configuration
FZ507A-D		6 way without terminal block
FZ507A-N		
FZ507A-D/3F8F75F81		switch+3 way 5 pin (cable wire 1.8M/3×0.75)
FZ507B-D		8 way without terminal block
FZ507B-N		
FZ507B-N/4F8F75F81		switch+4 way 5 pin (cable wire 1.8M/3×0.75)

Brief Parameter	Dimension of Panel/Thickness	233×62mm / 2.5mm	Installation Drawing 
	Dimension of Box	223×52×45mm	
	Dimension of Cut-out	225×55mm (九位开孔尺寸)	
	Electricity	Rated Electricity: Ue: 250V~, Ie: 10A Rated USB: Input :90~260V, 50~60Hz, Output :5V±5%V, 2.1A	

Remark: To subject to confirmed by us if any parameter be changed.

### FZ508 Desk Socket



### FZ520 Desk Socket



Item No.	Picture With Configuration	Configuration
FZ508A-D		6 way without terminal block
FZ508A-N		
FZ508A-D/3F8F75F81		switch+3 way 5 pin (cable wire 1.8M/3×0.75)
FZ508B-D		8 way without terminal block
FZ508B-N		
FZ508B-N/4F8F75F81		switch+4 way 5 pin (cable wire 1.8M/3×0.75)

Item No.	Picture With Configuration	Configuration
FZ520A-N		4 way without terminal block
FZ520B-N		6 way without terminal block
FZ520C-N		8 way without terminal block
FZ520D-N		10 way without terminal block

Brief Parameter	Dimension of Panel/Thickness	233×62mm / 2.5mm	Installation Drawing 
	Dimension of Box	223×52×45mm	
	Dimension of Cut-out	225×55mm	
	Electricity	Rated Electricity Ue: 250V~, Ie: 10A Rated USB Input :90~260V, 50~60Hz, Output :5V±5%V, 2.1A	

产品高度

Brief Parameter	Dimension of Panel/Thickness	Φ100mm / 2.5mm	Installation Drawing 
	Table product height	4 =195mm/ 6 =240mm 8 =285mm/ 10 =330mm	
	Dimension of Cut-out	Φ80mm	
	Electricity	Rated Electricity Ue: 250V~, Ie: 10A Rated USB Input :90~260V, 50~60Hz, Output :5V±5%V, 2.1A	

Remark: To subject to confirmed by us if any parameter be changed.

Remark: To subject to confirmed by us if any parameter be changed.

### FZ526 Desk Socket



FZ526-D/3F3-F9F75F81



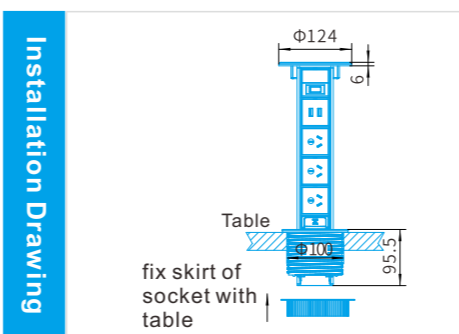
FZ526-D/F9-3F11F75F81



FZ526-D/F9-3F15F75F81

Item No.	Picture With Configuration	Configuration
FZ526-D		8 way without terminal block
FZ526-D/3F3-F9F75F81		switch+3 way 3 pin+USB (line 1.8M/3×0.75)
FZ526-D/F9-3F11F75F81		switch+3 way BS + USB (line 1.8M/3×0.75)
FZ526-D/F9-3F15F75F81		switch+3 way + USB (line 1.8M/3×0.75)

Brief Parameter	Dimension of Panel/Thickness	Φ124mm / 2.5mm
	Dimension of Box	380mm
	Dimension of Cut-out	Φ100mm
	Electricity	Rated Electricity
	Rated USB	Input :90~260V, 50~60Hz, Output :5V±5%V, 2.1A



Remark: To subject to confirmed by us if any parameter be changed.

### FZ531/FZ532 Pole



FZ531A-D



FZ531B-D

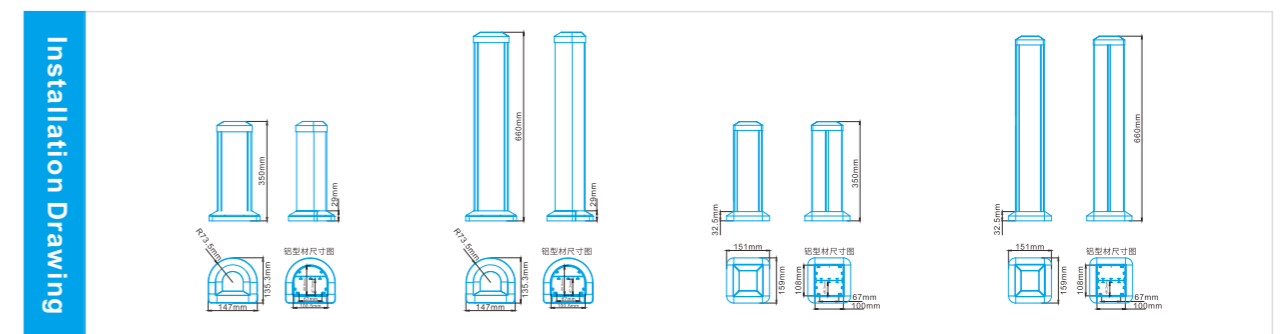


FZ532A-D



FZ532B-D

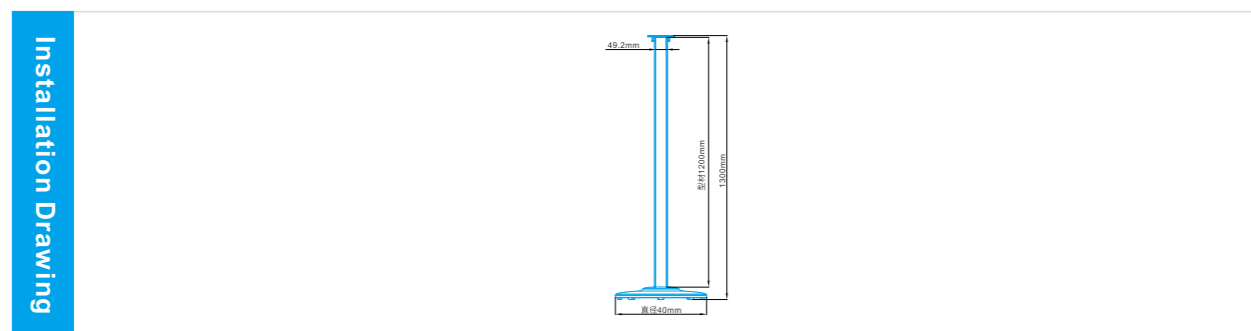
Item No.	Picture With Configuration	Configuration
FZ531A-D		350mm Empty
FZ531B-D		660mm Empty
FZ532A-D		350mm Empty
FZ532B-D		660mm Empty



Remark: To subject to confirmed by us if any parameter be changed.



Item No.	Picture With Configuration	Configuration
FZ551-D		Empty
FZ551-D/5F8F9F75F81		5 way 5 pin + USB (line 1.8M/3×0.75)



Remark: To subject to confirmed by us if any parameter be changed.

### 45 Modules (45x45mm)

Name	2 pin socket	3 pin 10A	universal socket	pin socket	BS socket	GS socket	single USB charger	Dual Port USB charger
Code	F2	F3	F4	F8	F11	F15	F6	F9
Unit Price	6.00	10.00	12.50	12.50	12.50	12.50	47.00	56.25

Name	FS socket	AS socket	AMP TELE internet plate	AMP TELE internet 5	AMP TELE internet 6E	AMP TELE	Lucent TELE internet plate	Lucent TELE
Code	F16	F18	F20	F21	F22	F23	F25	F28
Unit Price	12.50	12.50	3.20	12.50	25.00	9.50	3.20	9.50

Name	TV socket	BNC socket	φ3.5 phone	DIN 8 pin	audio	video	video and audio	karon	microphone
Code	F50	F51	F52	F53	F55	F56	F58	F60	F62
Unit Price	10.00	15.00	10.00	13.50	10.00	12.50	12.50	14.50	10.00

Name	VGA15 pin male	VGA15 pin female	VGA15 pin male	VGA15 pin female	VGA9 pin male	VGA9 pin female	HDMI	S
Code	F63	F64	F65	F66	F67	F68	F69	F71
Unit Price	15.00	15.00	10.25	10.25	10.25	10.25	20.00	10.00

Name	cable wire 1.8M/3×0.75mm <sup>2</sup>	cable wire 3M/3×0.75mm <sup>2</sup>	wireless charger	switch charger
Code	F75	F76	F80	F81
Unit Price	15.00	21.00	120.00	10.00